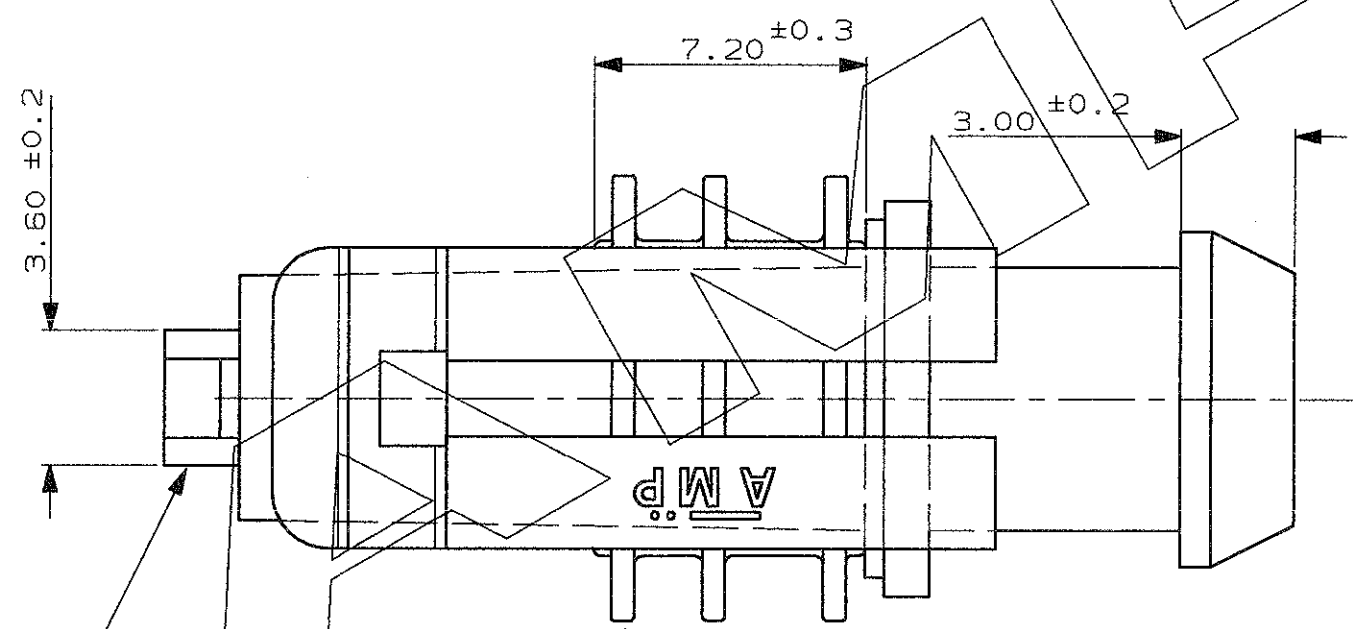
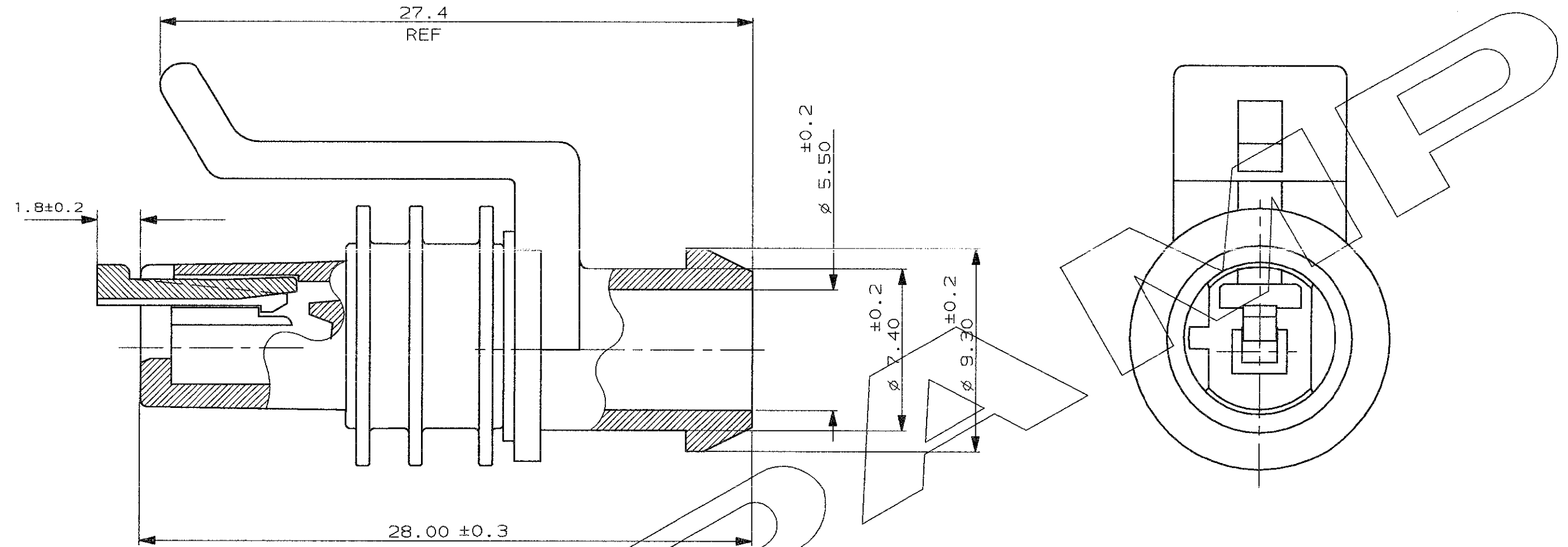


A
B
C
D
E



PRE-ASSEMBLED SECONDARY LOCK (COLOR RED)
 SEALING SILICONE RUBBER

FOR COUNTERPART DIMENSIONS SEE SHEET 2 of 2

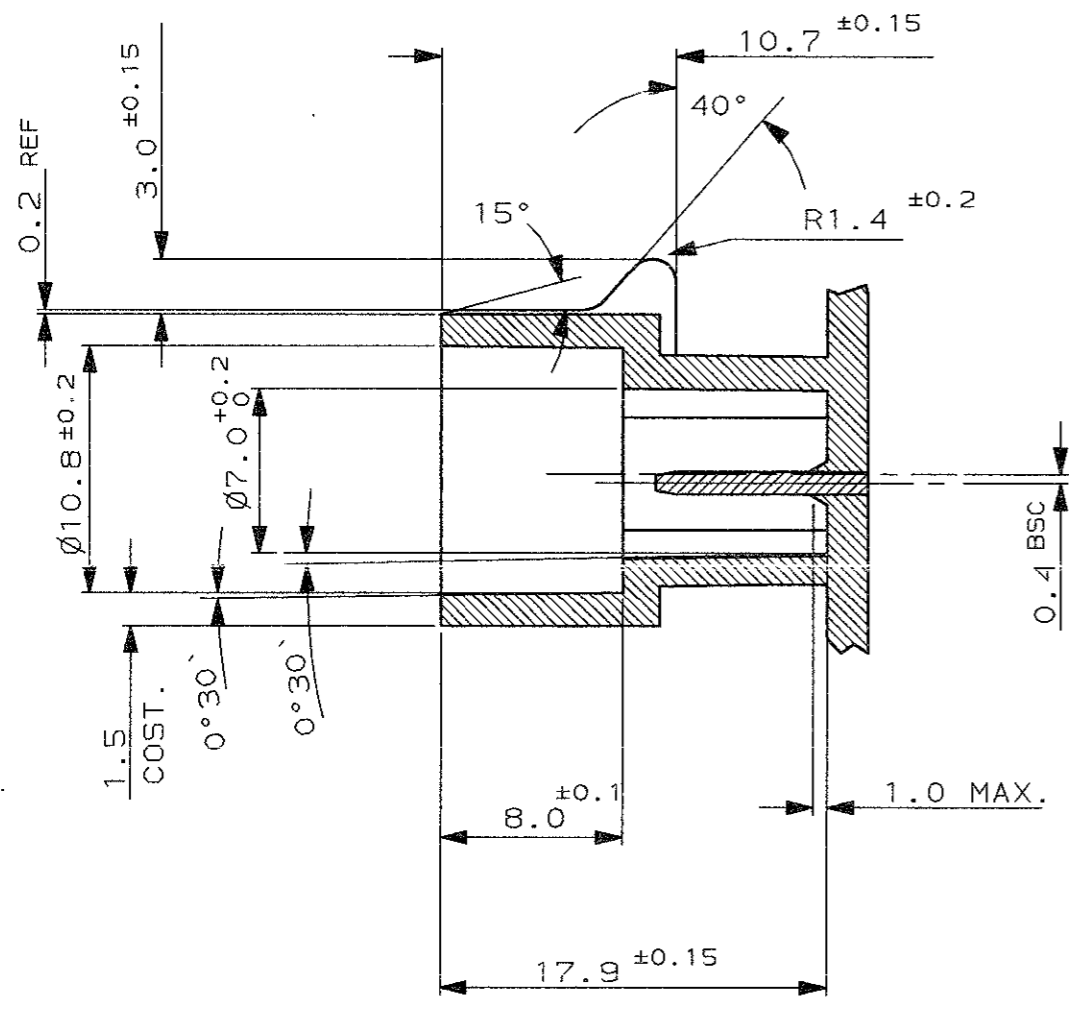
GREY	G.F. PA 6 6	282079-3
BLACK	G.F. PA 6 6	282079-2
FINITURA / COLORE (FINISH / COLOUR)	MATERIALE (MATERIAL)	NUMERO (PART NUMBER)

CUSTOMER DWG. FOR REFERENCE ONLY DISEGNO PER CLIENTE SOLO PER RIFERIMENTO

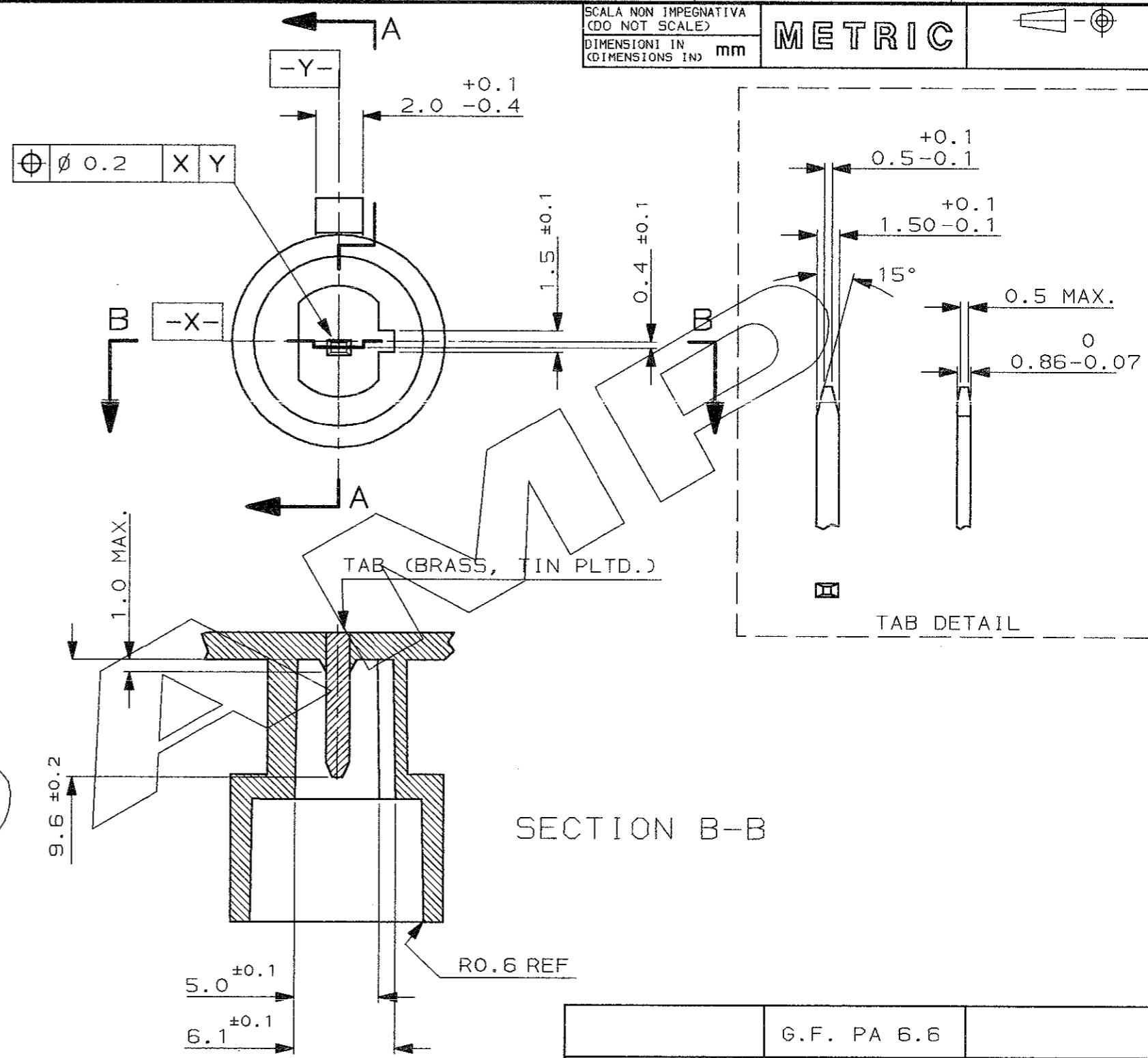
C1	REVISED PER ET00-0008-04	P.Z.	20-1
C	UP-DATED ET00-0490-97	R.M.	20-4
B	ADDED DIM. 1.8±0.2	0512	10-11 97
A1	UP-DATED (ET00-0342-92)	C B	18-11 96
A	SEE SHEET 2 of 3	C B	29-4 96
6	UP-DATED (EC 0182-93)	C B	11 93
5	UP-DATED	C B	10 92
4	ADDED PN ...-3	C B	8 92
3	UP-DATED	C.B	1 92
2	UP-DATED	C.B	7 90
REV.	REVISIONI (REVISION RECORD)	DIS.	DATA (DATE)

THIS DRAWING IS UNPUBLISHED		RELEASE FOR PUBLICATION		19
©COPYRIGHT 1990 BY AMP INCORPORATED, HARRISBURG, PA. ALL INTERNATIONAL RIGHT RESERVED. AMP PRODUCTS MAY BE COVERED BY U.S. AND FOREIGN PATENT AND/OR PATENT PENDING				
TOLLERANZE, SE NON DIVERSAMENTE SPECIFICATO (TOLERANCES, UNLESS OTHERWISE SPECIFIED)	DIAM. ISOLANTE (INS. DIA. RANGE)	RANGO FILO (WIRE RANGE)	SCALA (SCALE)	
± 0.3	-	-	-	
ANGOLI (ANGLES)	AMP ITALIA S.p.A. Corso F.lli Cervi, 15 COLLENO (TORINO)			
DIS. C. BERTINI (DR.) 7-90	DESCRIZIONE (DESCRIPTION) 1 POS. PLUG. ASS'Y			
CONT. A. BRUNI (CHK) 7-90	AMP SUPERSEAL 1.5 SERIES CONNECTORS			
APP. (APP.)	LOC. SIZE (DWG NO)	NUMERO (DWG NO)	REV.	FOGLIO (SHEET)
-	I A3	C-282079	C1	1 DI (OF) 2

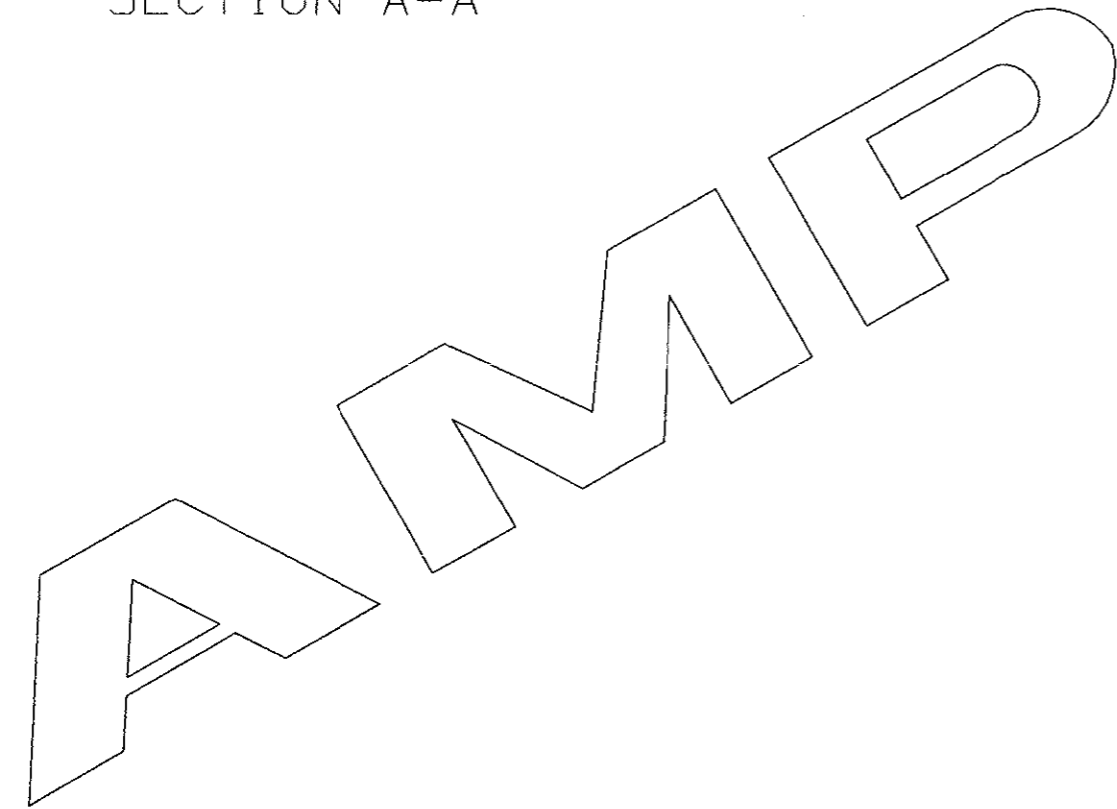
DISTRIBUZIONE (PRINT DIST.)



SECTION A-A



SECTION B-B



SEE SHEET 1 OF 2

G.F. PA 6.6		NUMERO (PART NUMBER)	
FINITURA / COLORE (FINISH / COLOUR)		MATERIALE (MATERIAL)	
CUSTOMER DWG. FOR REFERENCE ONLY		DISEGNO PER CLIENTE SOLO PER RIFERIMENTO	
THIS DRAWING IS UNPUBLISHED		RELEASE FOR PUBLICATION 19	
© COPYRIGHT 19 BY AMP INCORPORATED, HARRISBURG, PA. ALL INTERNATIONAL RIGHT RESERVED. AMP PRODUCTS MAY BE COVERED BY U.S. AND FOREIGN PATENT AND/OR PATENT PENDING			
TOLLERANZE; SE NON DIVERSAMENTE SPECIFICATO (TOLERANCES, UNLESS OTHERWISE SPECIFIED)		DIAM. ISOLANTE (INS. DIA. RANGE)	RANGO FILO (WIRE RANGE)
± 0.3		-	-
ANGOLI (ANGLES)		SCALA (SCALE)	
± 2°		-	
DIS. C. BERTINI (DR.) 5-92		DESCRIZIONE (DESCRIPTION) COUNTERPART FOR	
CONT. (CHK) -		ONE POS. REC. HSG. ASS'Y	
APP. (APP.) -		LOC. SIZE NUMERO (DWG NO)	REV. FOGLIO (SHEET)
REV. (REV. LTR.)		IA3 C-282079	C1 2 OF 2

DISTRIBUZIONE (PRINT/DIST.)

4

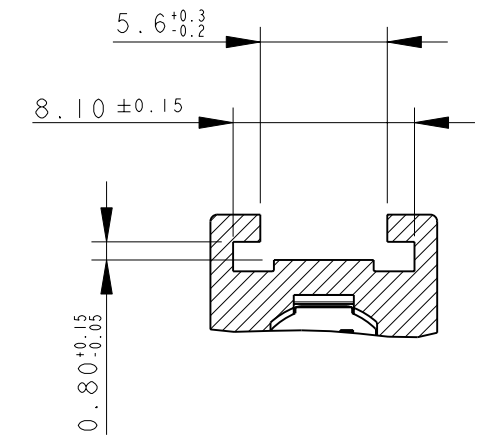
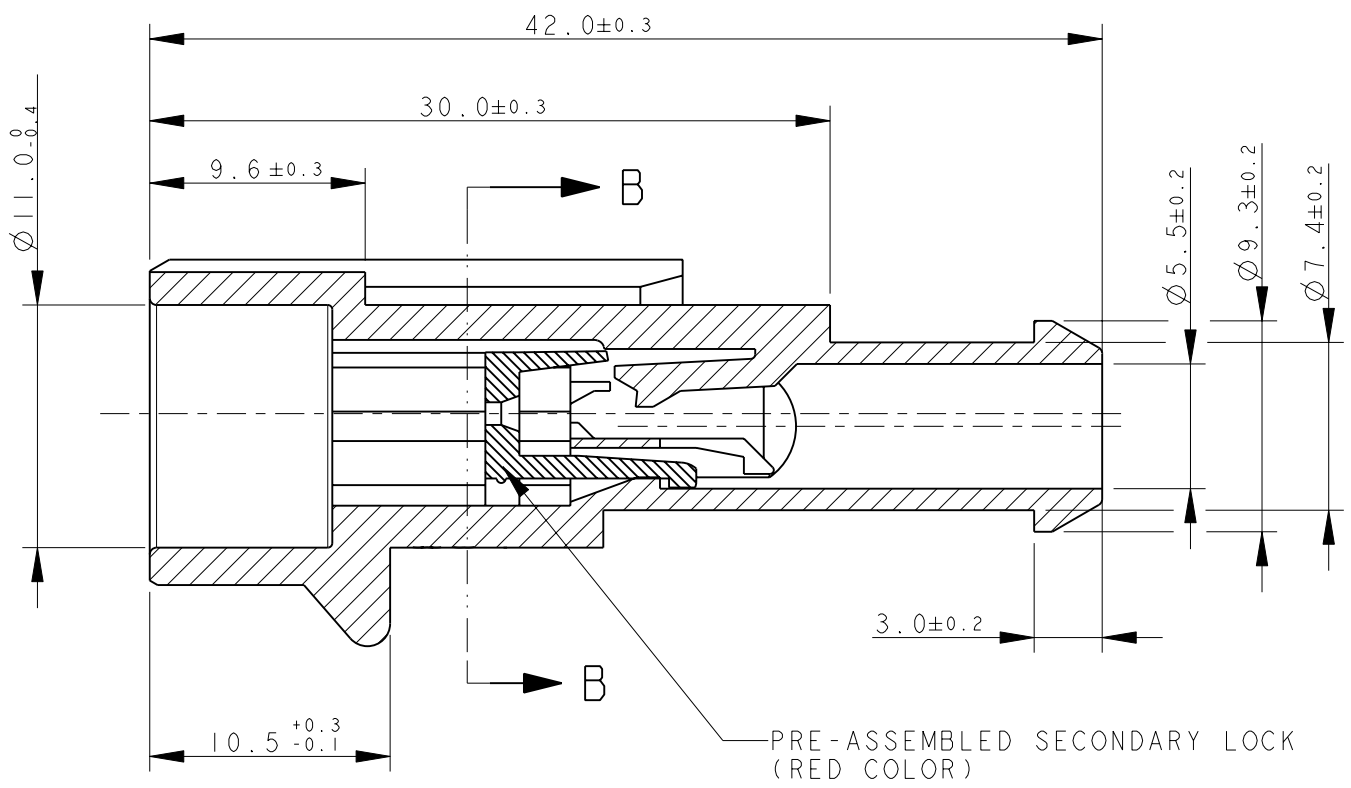
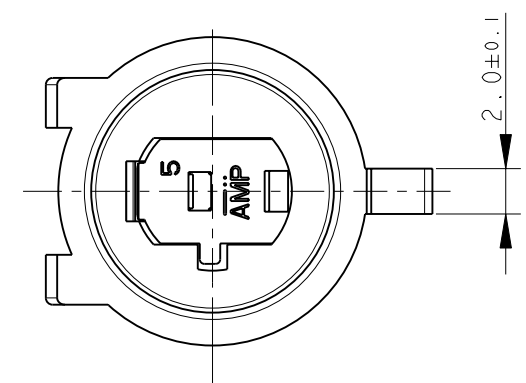
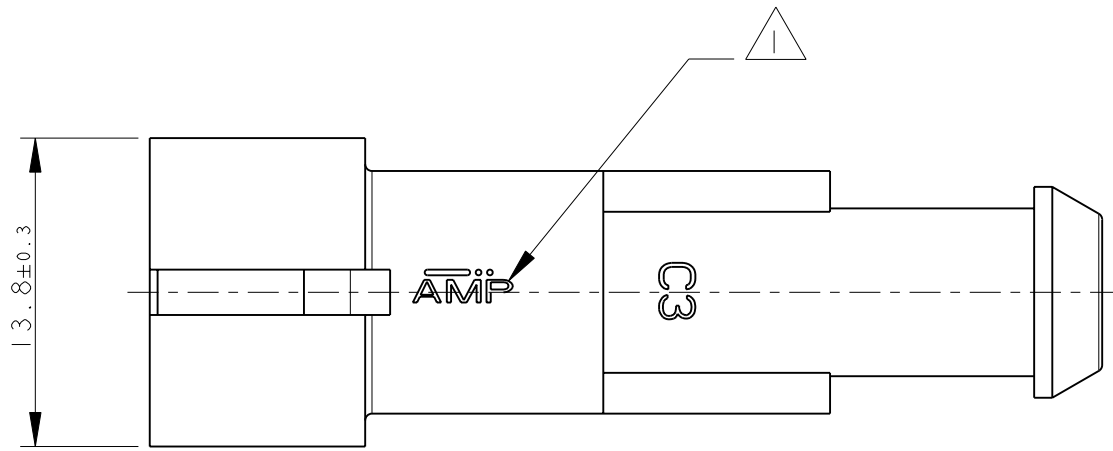
3

2

1

THIS DRAWING IS UNPUBLISHED. RELEASED FOR PUBLICATION 2009
 © COPYRIGHT 2009 BY TYCO ELECTRONICS CORPORATION. ALL INTERNATIONAL RIGHTS RESERVED.

LOC	DIST	REVISIONS					
		P	LTR	DESCRIPTION	DATE	DWN	APVD
1	-		B	REDRAWN (ECR-10-004138)	02MAR2010	M.G.	M.G.



PART SECTION B - B

GRAY	PA66-GF	282103-2
BLACK	PA66-GF	282103-1
FINISH/COLOR	MATERIAL	PART NUMBER

LOGO "AMP" O, IN ALTERNATIVA, LOGO TYCO ELECTRONICS ("AMP" TRADE MARK OR, IN ALTERNATIVE, TYCO ELECTRONICS TRADE MARK)

THIS DRAWING IS A CONTROLLED DOCUMENT FOR TYCO ELECTRONICS CORPORATION IT IS SUBJECT TO CHANGE AND THE CONTROLLING ENGINEERING ORGANIZATION SHOULD BE CONTACTED FOR THE LATEST REVISION.		DWN C. BERTINI 02-1990 CHK A. BRUNI 02-1990 APVD - PRODUCT SPEC 108-20090 APPLICATION SPEC - WEIGHT -		Tyco Electronics Tyco Electronics AMP Italia S.r.l. Corso F.lli Cervi,15 - Collegno (TO)	
DIMENSIONS: mm 		TOLERANCES UNLESS OTHERWISE SPECIFIED: 0 PLC ±- 1 PLC ±0.3 2 PLC ±- 3 PLC ±- 4 PLC ±- ANGLES ±2° MATERIAL - FINISH -		NAME AMP SUPERSEAL 1.5 SRS. 1 POSITION TAB ASS'Y SIZE A3 CAGE CODE 00779 DRAWING NO C-282103 RESTRICTED TO -	
CUSTOMER DRAWING		SCALE 3:1		SHEET 1 OF 1 REV B	

4

3

2

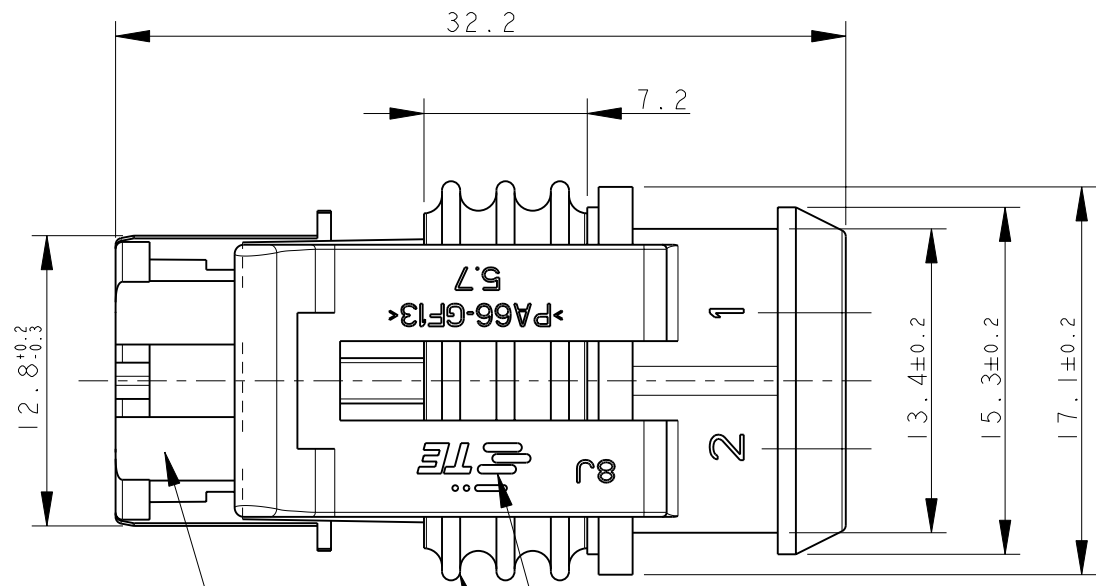
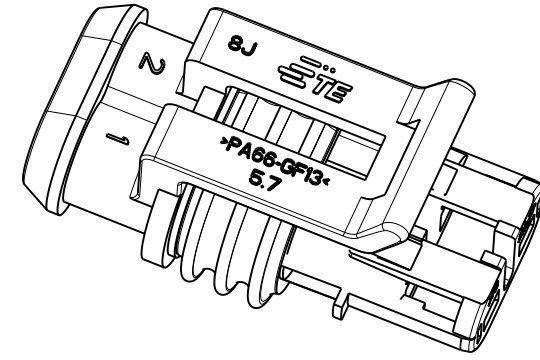
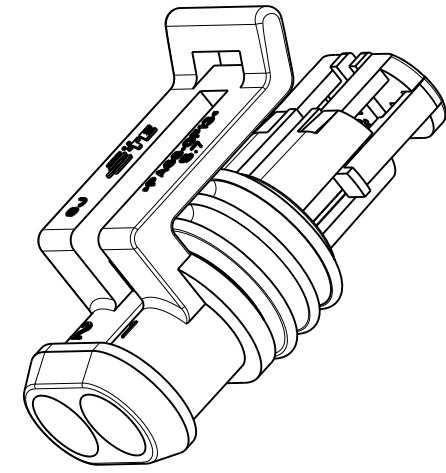
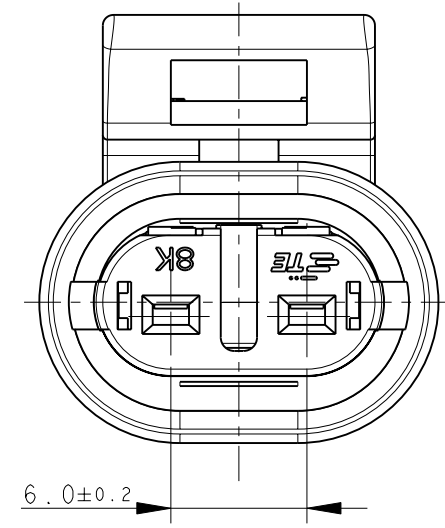
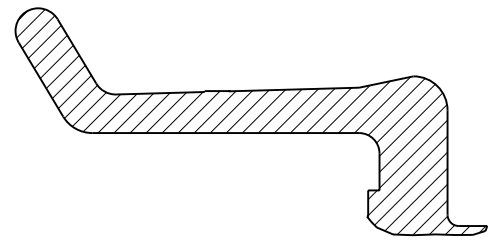
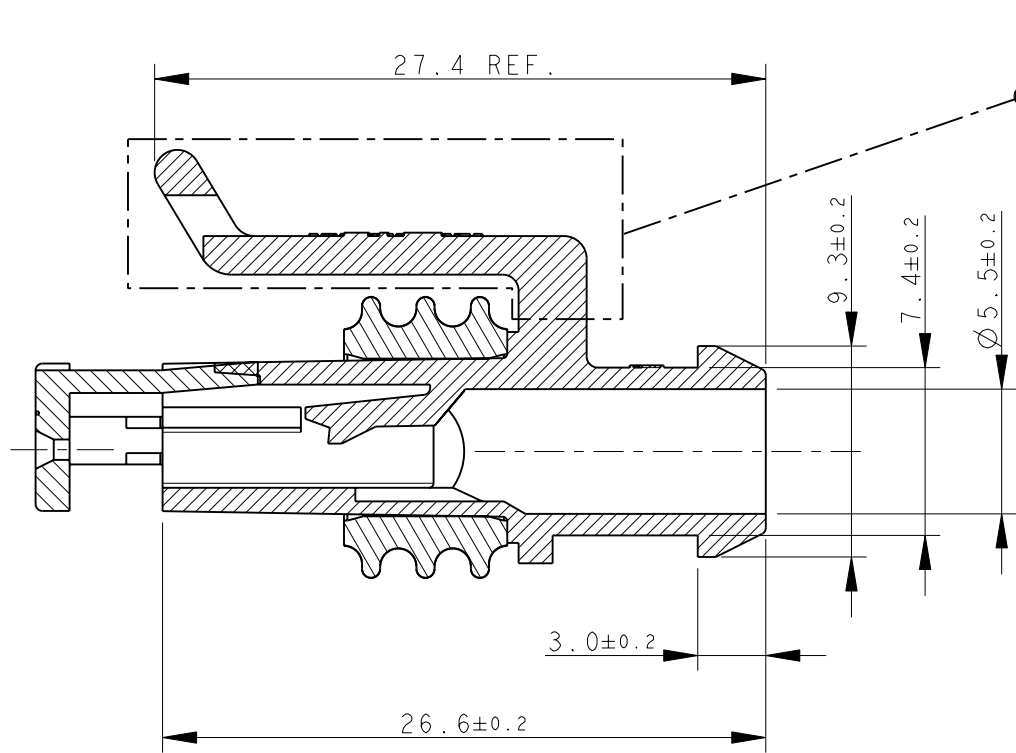
1

THIS DRAWING IS UNPUBLISHED. RELEASED FOR PUBLICATION 2011

© COPYRIGHT 2011 ALL RIGHTS RESERVED.

LOC	DIST	REVISIONS				
P	LTR	DESCRIPTION	DATE	DWN	APVD	
		C5	REVISED FOR ECR-11-009825	20MAY2011	M.G.	M.G.
		C6	REVISED BY ECR-11-024280	13DEC2011	M.F.	M.G.

ALTERNATIVE DESIGN OF LOCKING LANCE



1) FOR COUNTERPART DETAILS, SEE SHEET 2 OF 2

BROWN	PA66-GF	282080-4
GREEN		282080-3
GRAY		282080-2
BLACK		282080-1
FINISH/COLOR	MATERIAL	PART NUMBER

TE CONNECTIVITY TRADE MARK, (IN ALTERNATIVE: "AMP" LOGO, OR "Tyco Electronics" LOGO)

SEALING (SILICONE RUBBER)

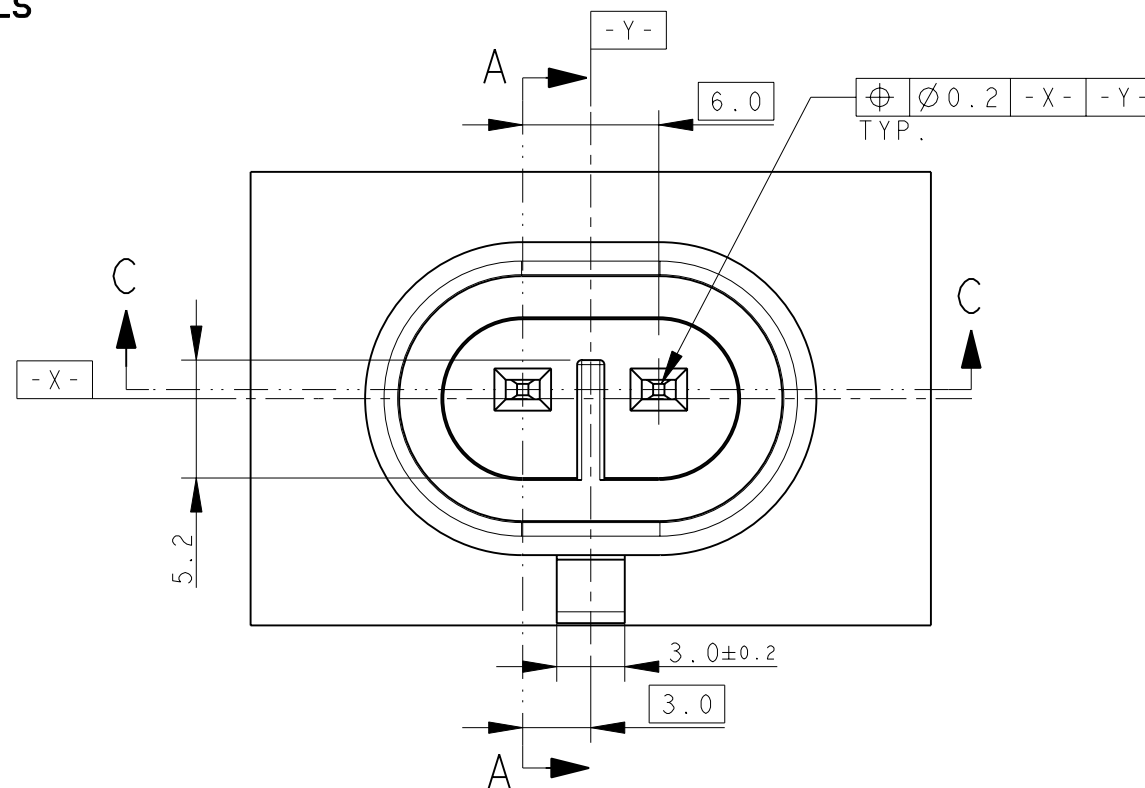
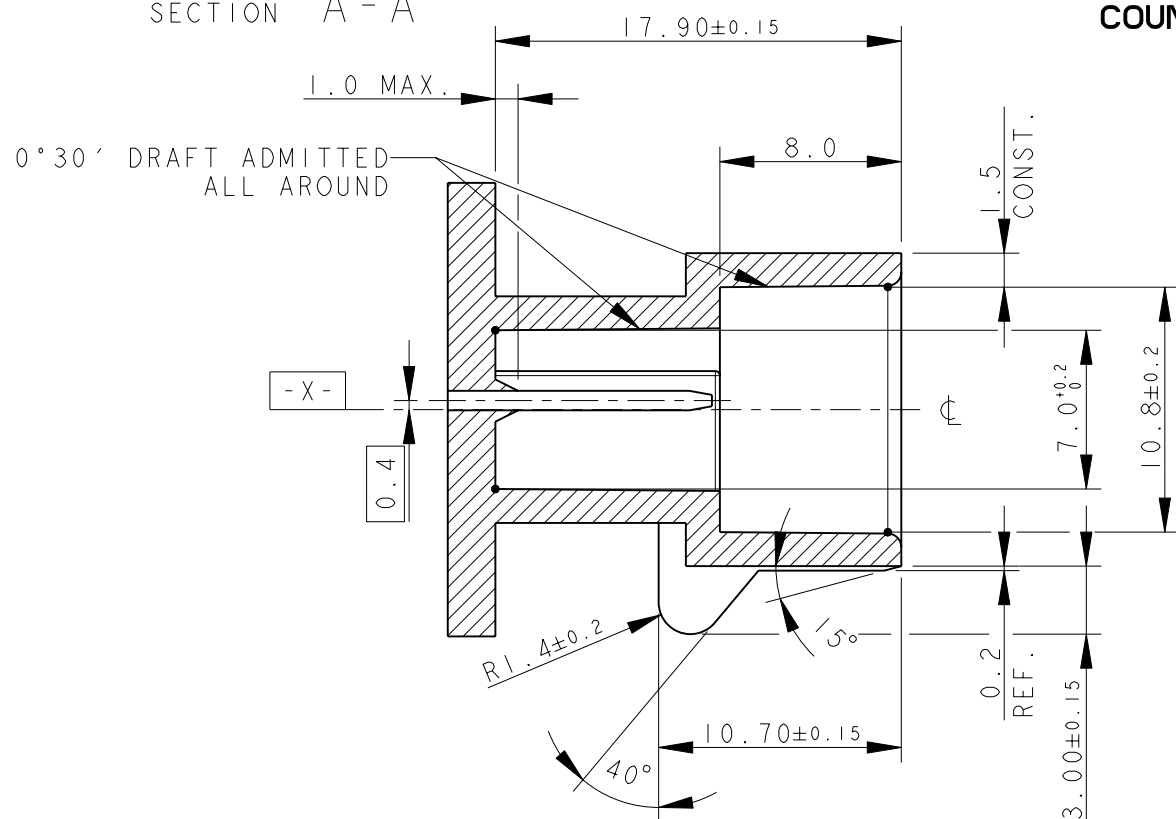
PRE-ASSEMBLED SECONDARY LOCK (RED COLOR)

THIS DRAWING IS A CONTROLLED DOCUMENT.		DWN C. BERTINI 05-1992	TE Connectivity	
DIMENSIONS: mm		CHK A. BRUNI 05-1992		
TOLERANCES UNLESS OTHERWISE SPECIFIED:		APVD -	NAME	
0 PLC ±-		PRODUCT SPEC 108-20090	AMP SUPERSEAL 1.5 SRS. 2 POSITIONS PLUG ASS'Y	
1 PLC ±0.3		APPLICATION SPEC 412-20000	SIZE A3	CAGE CODE 00779
2 PLC ±-		WEIGHT 2.60gr	DRAWING NO C-282080	RESTRICTED TO -
3 PLC ±-		CUSTOMER DRAWING		
4 PLC ±-		SCALE 5:1 SHEET 1 OF 2 REV C6		
ANGLES ±2°				
FINISH -				

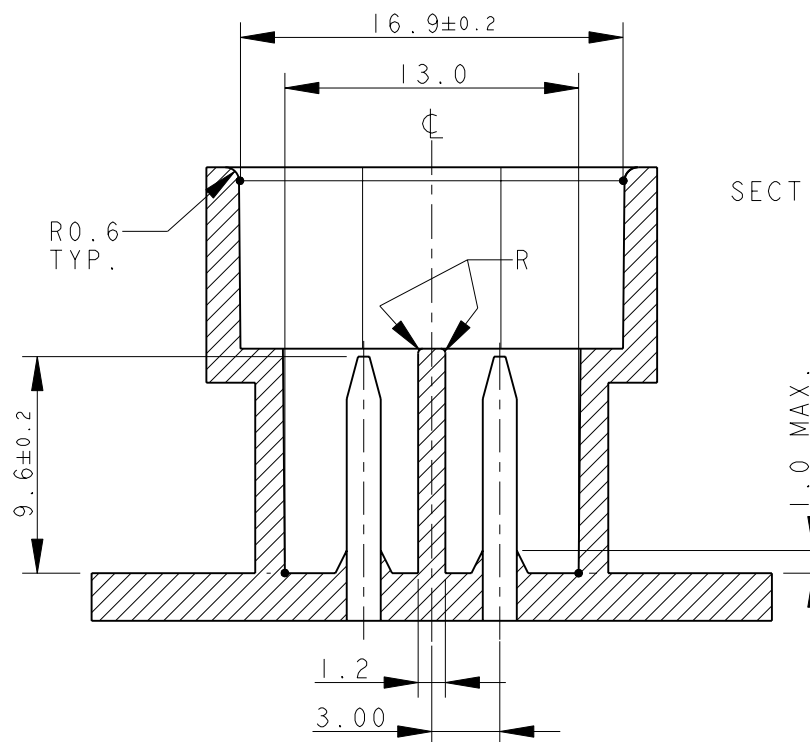
LOC	DIST	REVISIONS					
		P	LTR	DESCRIPTION	DATE	DWN	APVD
1	-	-	-	SEE SHEET 1	-	-	-

SECTION A - A

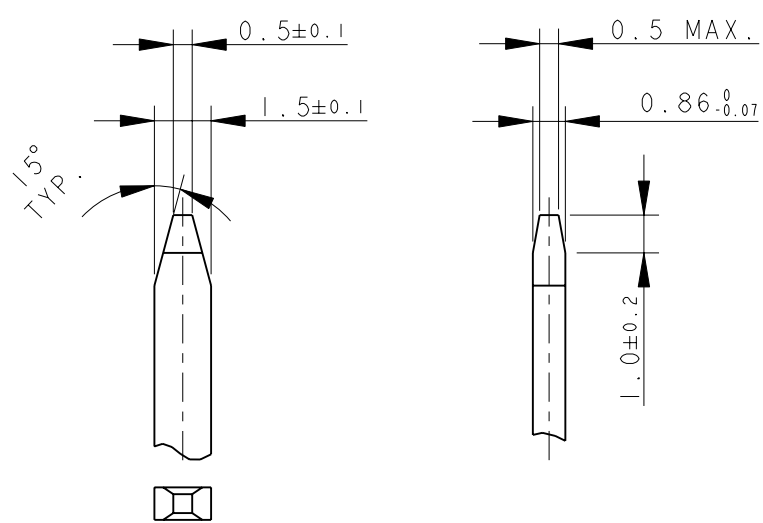
COUNTERPART DETAILS




SECTION C - C



TAB DETAILS

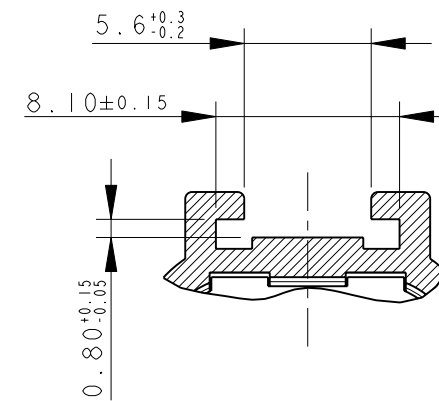
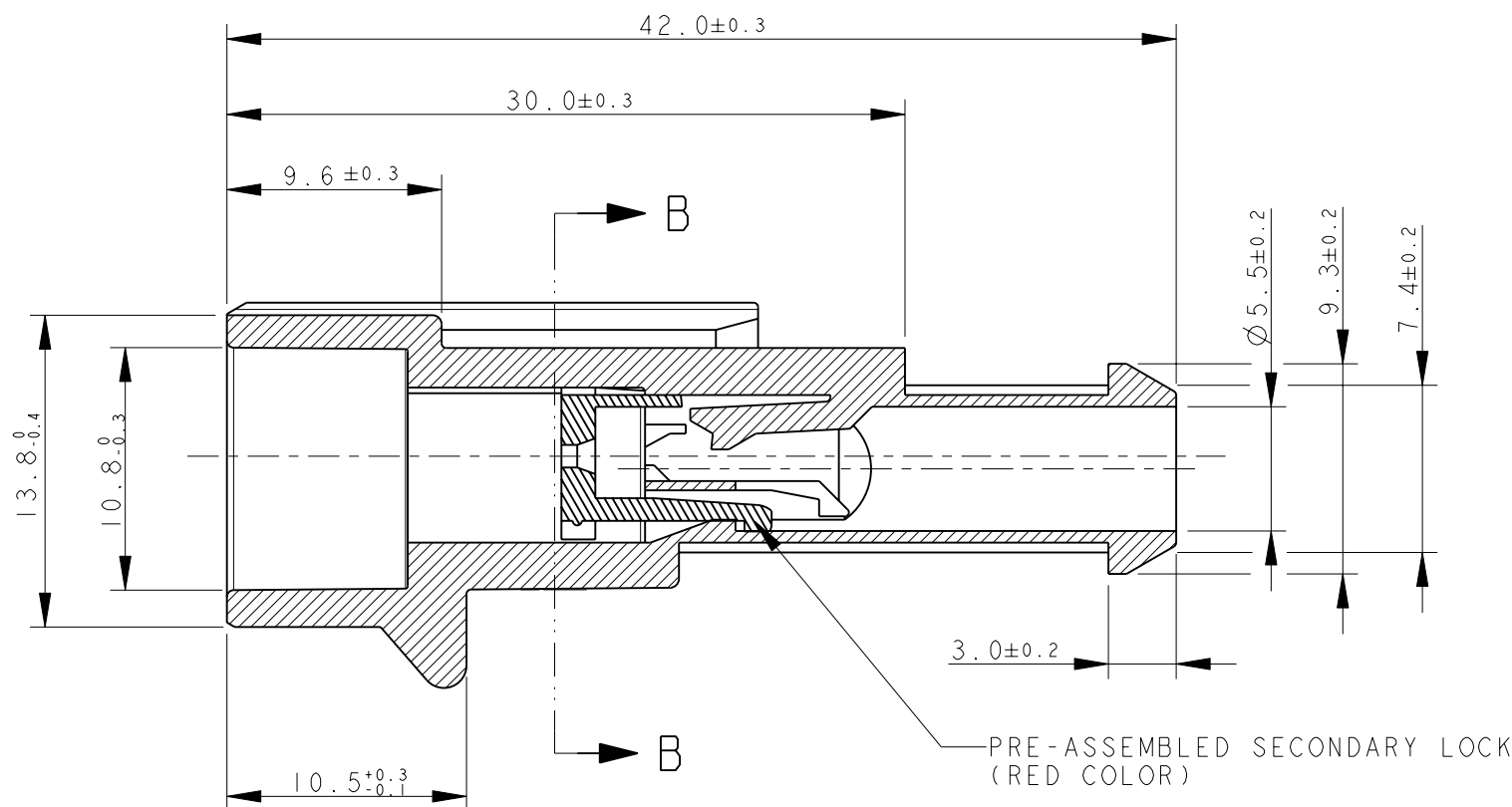
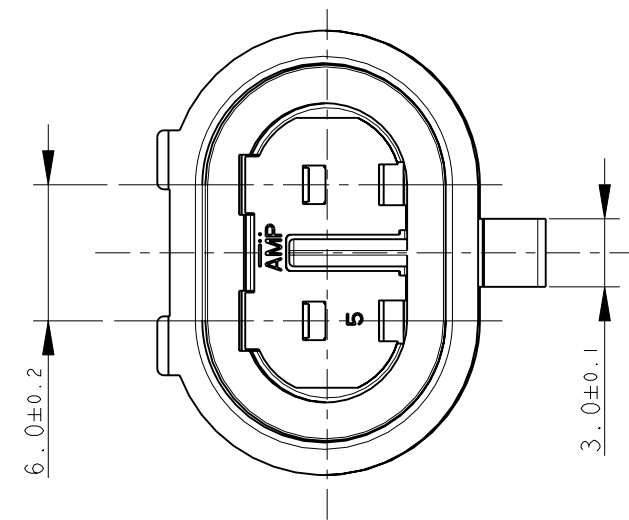
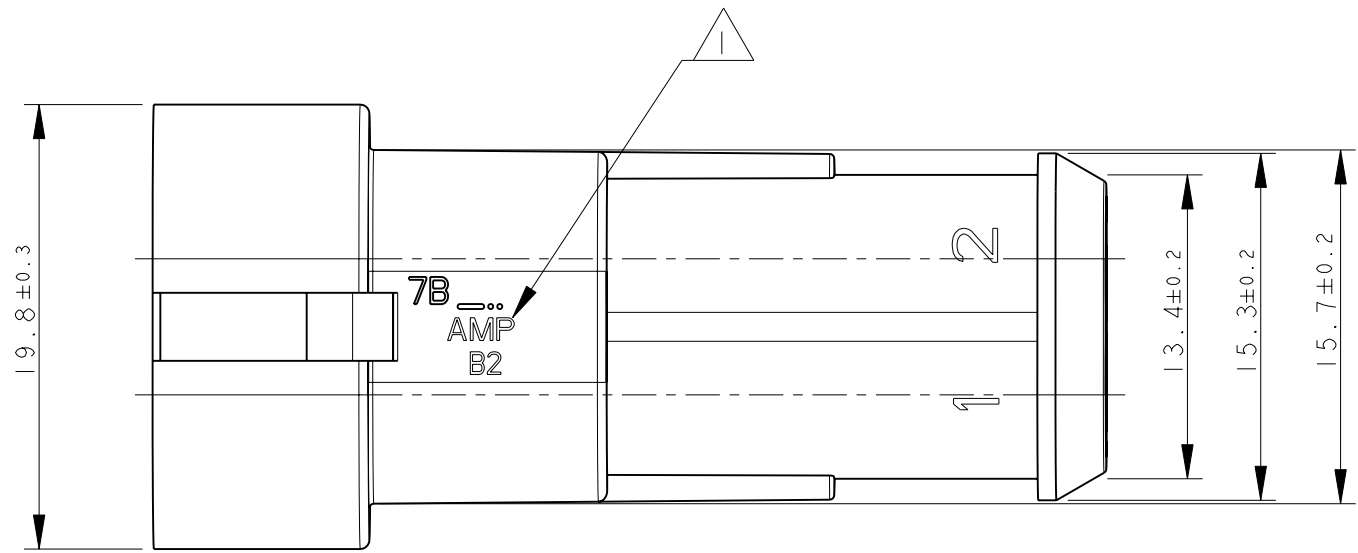


THIS DRAWING IS A CONTROLLED DOCUMENT.		DWN C. BERTINI 05-1992	 TE Connectivity	
DIMENSIONS: mm		CHK A. BRUNI 05-1992		
TOLERANCES UNLESS OTHERWISE SPECIFIED:		APVD -	NAME	
0 PLC ±0.3		PRODUCT SPEC -	AMP SUPERSEAL 1.5 SRS. 2 POSITIONS PLUG ASS'Y	
1 PLC ±0.1		APPLICATION SPEC -	SIZE A3	CAGE CODE 00779
2 PLC ±0.05		WEIGHT -	DRAWING NO C-282080	RESTRICTED TO -
3 PLC ±		CUSTOMER DRAWING	SCALE 3:1	SHEET 2
4 PLC ±			OF 2	REV C6
ANGLES ±				
FINISH				

MATERIALS: PA66-GF FOR HOUSING
TIN PLATED BRASS FOR TABS

THIS DRAWING IS UNPUBLISHED. RELEASED FOR PUBLICATION 2007
 © COPYRIGHT 2007 BY TYCO ELECTRONICS CORPORATION. ALL RIGHTS RESERVED.

LOC	DIST	REVISIONS					
		P	LTR	DESCRIPTION	DATE	DWN	APVD
1	-	B		REDRAWN (ECR-09-000977)	15/01/2009	M.G.	M.G.



FINISH/COLOR	MATERIAL	PART NUMBER
GREEN	PA66-GF	282104-3
GRAY	PA66-GF	282104-2
BLACK	PA66-GF	282104-1

1 LOGO "AMP" O, IN ALTERNATIVA, LOGO TYCO ELECTRONICS ("AMP" TRADE MARK OR, IN ALTERNATIVE, TYCO ELECTRONICS TRADE MARK)

THIS DRAWING IS A CONTROLLED DOCUMENT FOR TYCO ELECTRONICS CORPORATION IT IS SUBJECT TO CHANGE AND THE CONTROLLING ENGINEERING ORGANIZATION SHOULD BE CONTACTED FOR THE LATEST REVISION.		DWN C. BERTINI 02-1990	Tyco Electronics AMP Italia S.r.l. Corso F.lli Cervi, 15 - Collegno (TO)	
DIMENSIONS: mm		CHK A. BRUNI 02-1990	NAME AMP SUPERSEAL 1.5 SRS. 2 POSITIONS TAB ASS'Y	
TOLERANCES UNLESS OTHERWISE SPECIFIED: 0 PLC ±- 1 PLC ±0.3 2 PLC ±- 3 PLC ±- 4 PLC ±- ANGLES ±2°		APVD -	PRODUCT SPEC -	
MATERIAL -		FINISH -	APPLICATION SPEC -	
		WEIGHT -	SIZE A300779	DRAWING NO C-282104
		CUSTOMER DRAWING	SCALE 3:1	SHEET 1 OF 1 REV B

4

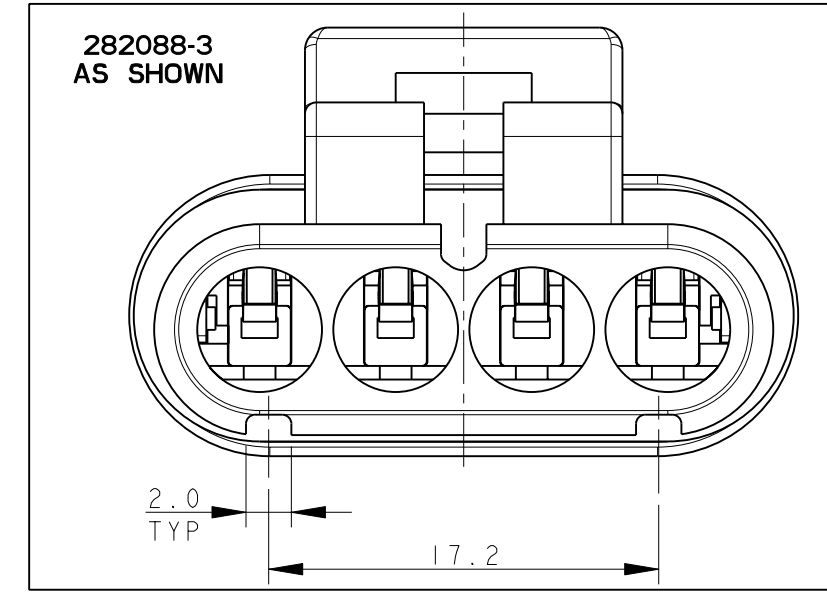
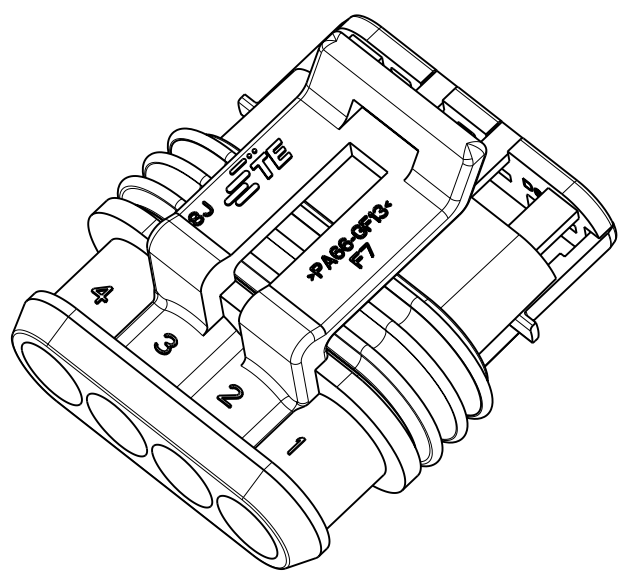
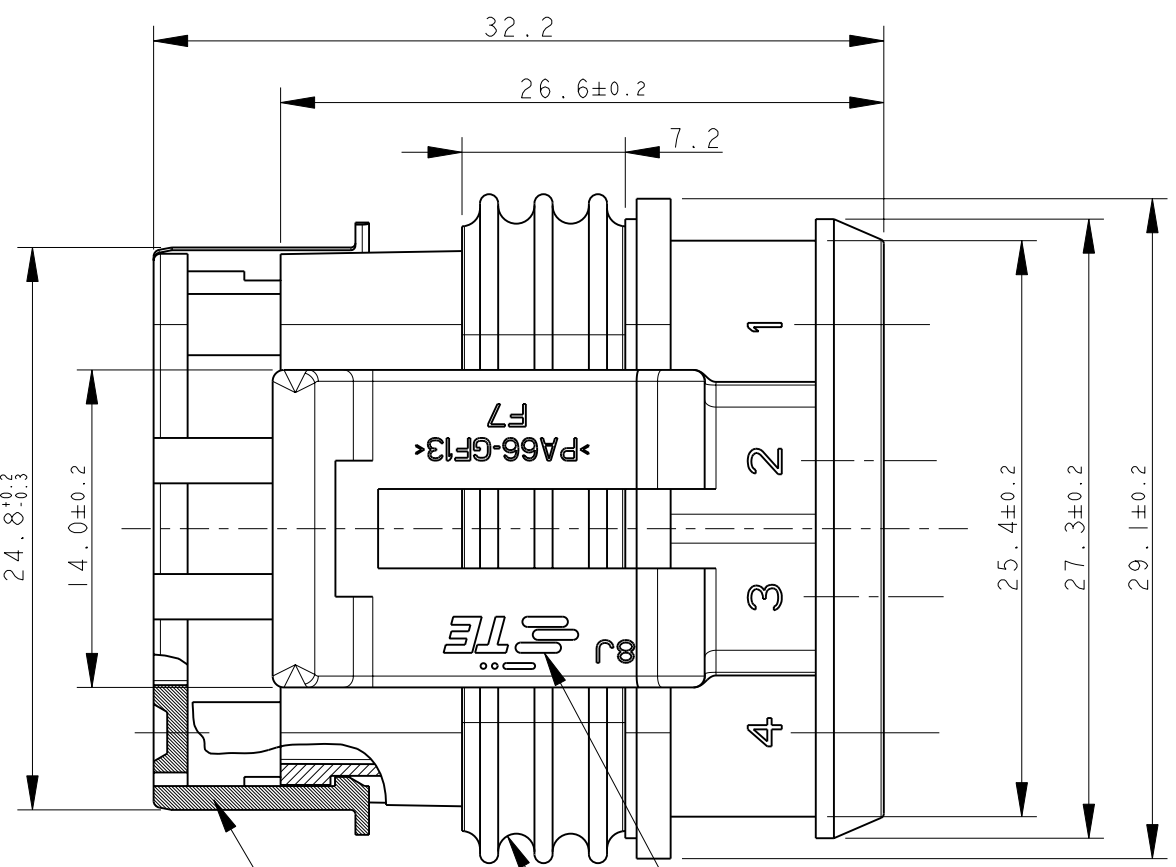
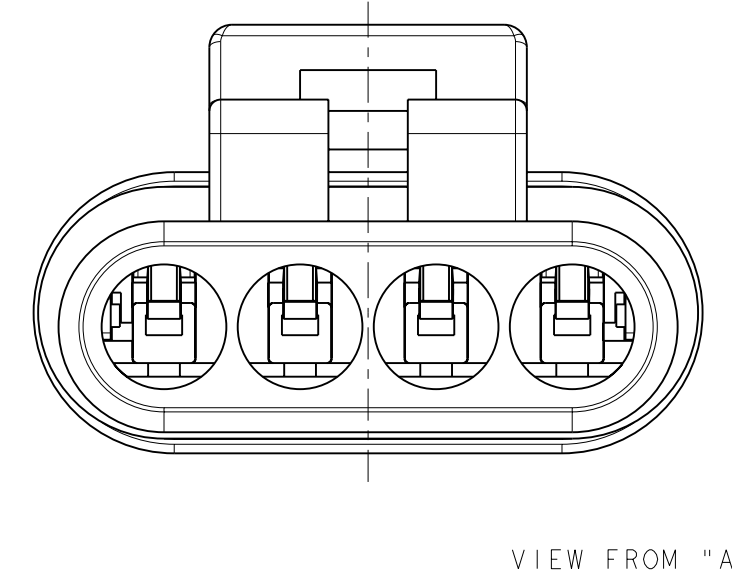
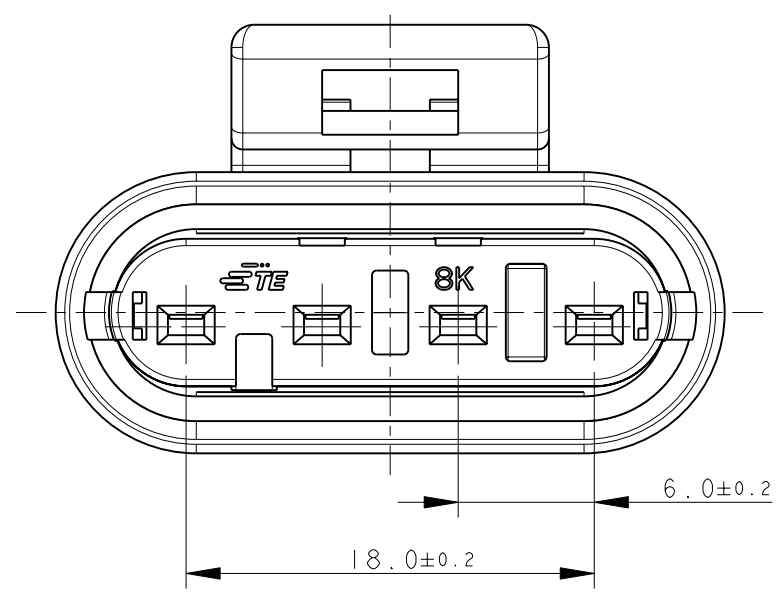
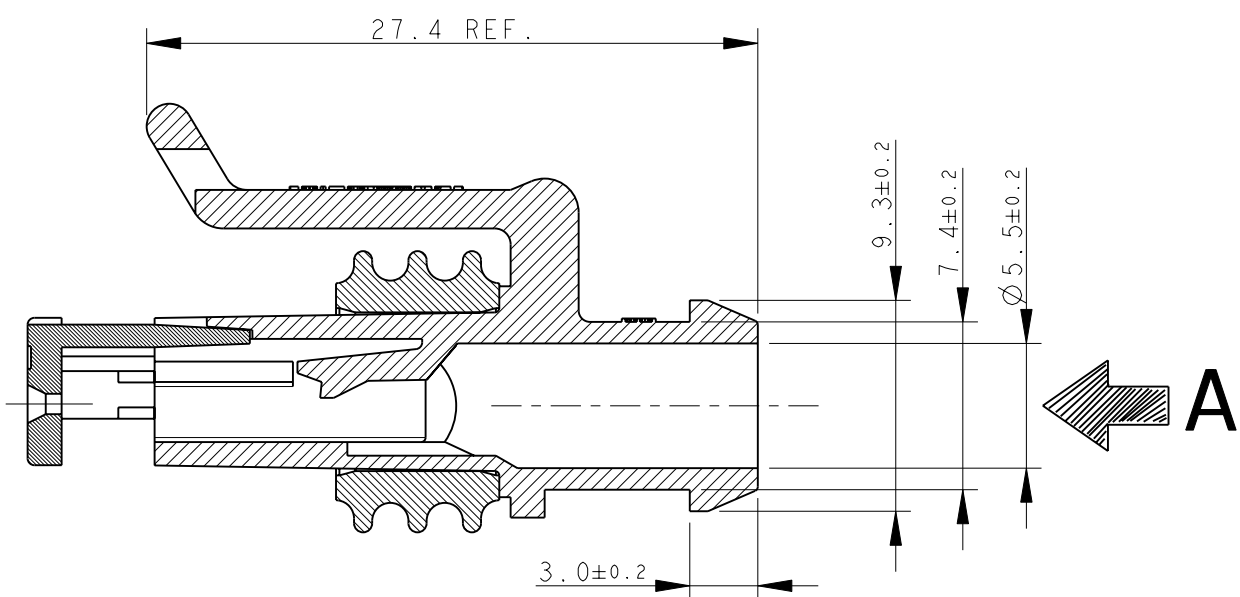
3

2

1

THIS DRAWING IS UNPUBLISHED. RELEASED FOR PUBLICATION 2007
 © COPYRIGHT 2007 ALL RIGHTS RESERVED.

LOC	DIST	REVISIONS			
P	LTR	DESCRIPTION	DATE	DWN	APVD
		B4 REVISED BY ECR-11-024280	13DEC2011	M.F.	M.G.



BLACK (NERO)	PA66-GF	282088-3
GRAY (GRIGIO)	PA66-GF	282088-2
BLACK (NERO)	PA66-GF	282088-1
COLOUR (COLORE)	MATERIAL (MATERIALE)	PART NUMBER (CODICE)

TE CONNECTIVITY TRADE MARK, (IN ALTERNATIVE: "AMP" LOGO, OR "Tyco Electronics" LOGO)

SEALING (SILICONE RUBBER)

PRE-ASSEMBLED SECONDARY LOCK (RED COLOR)

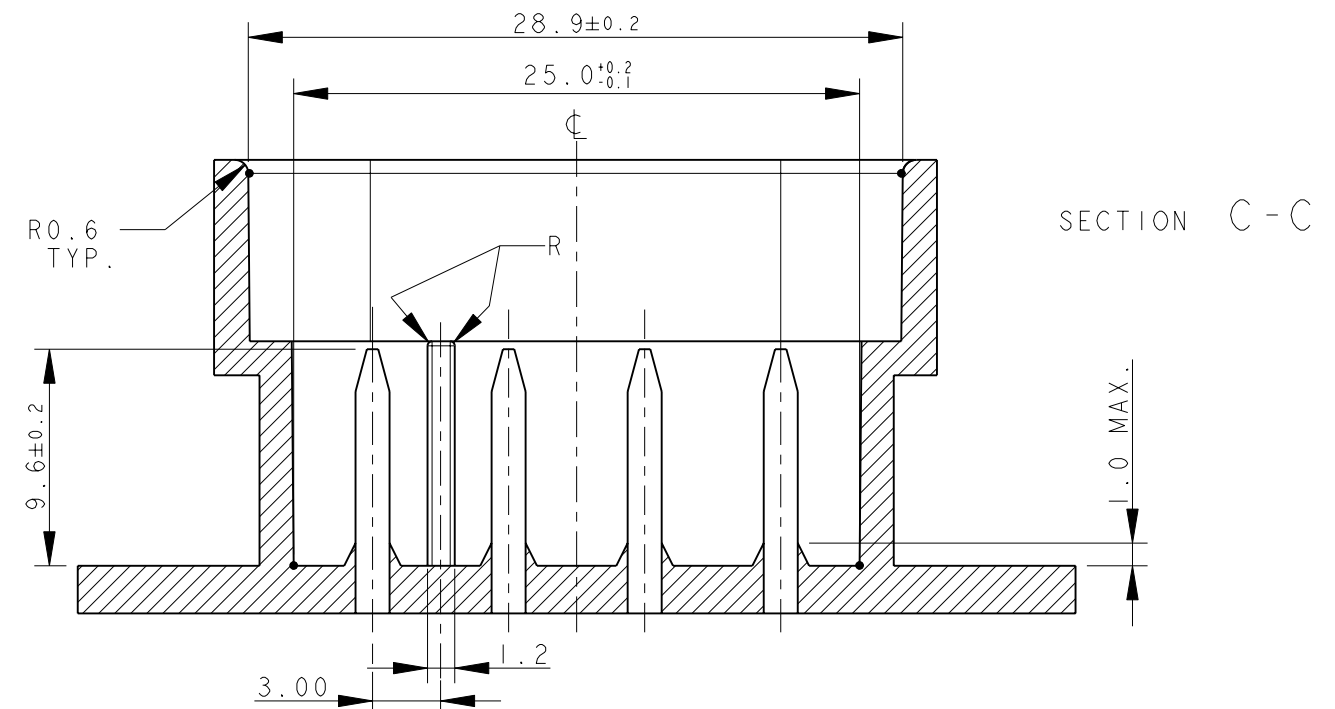
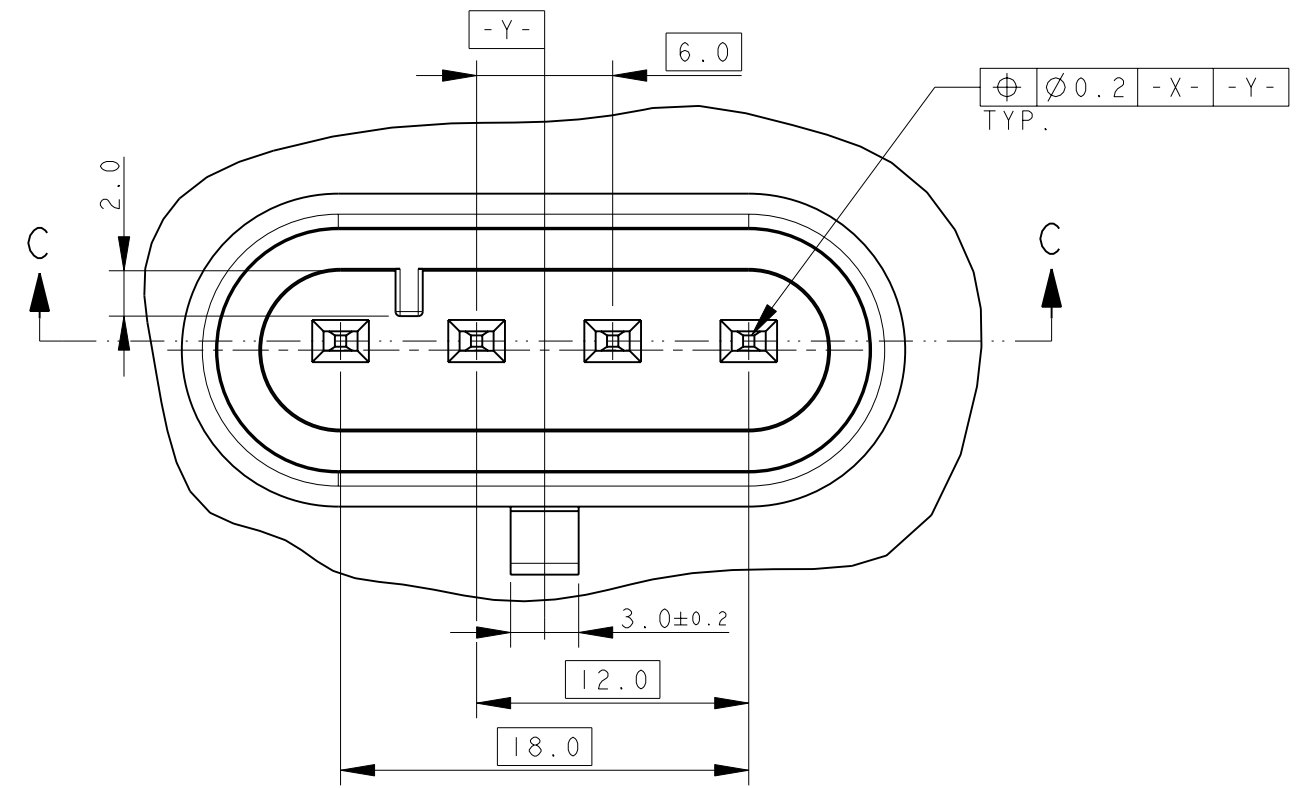
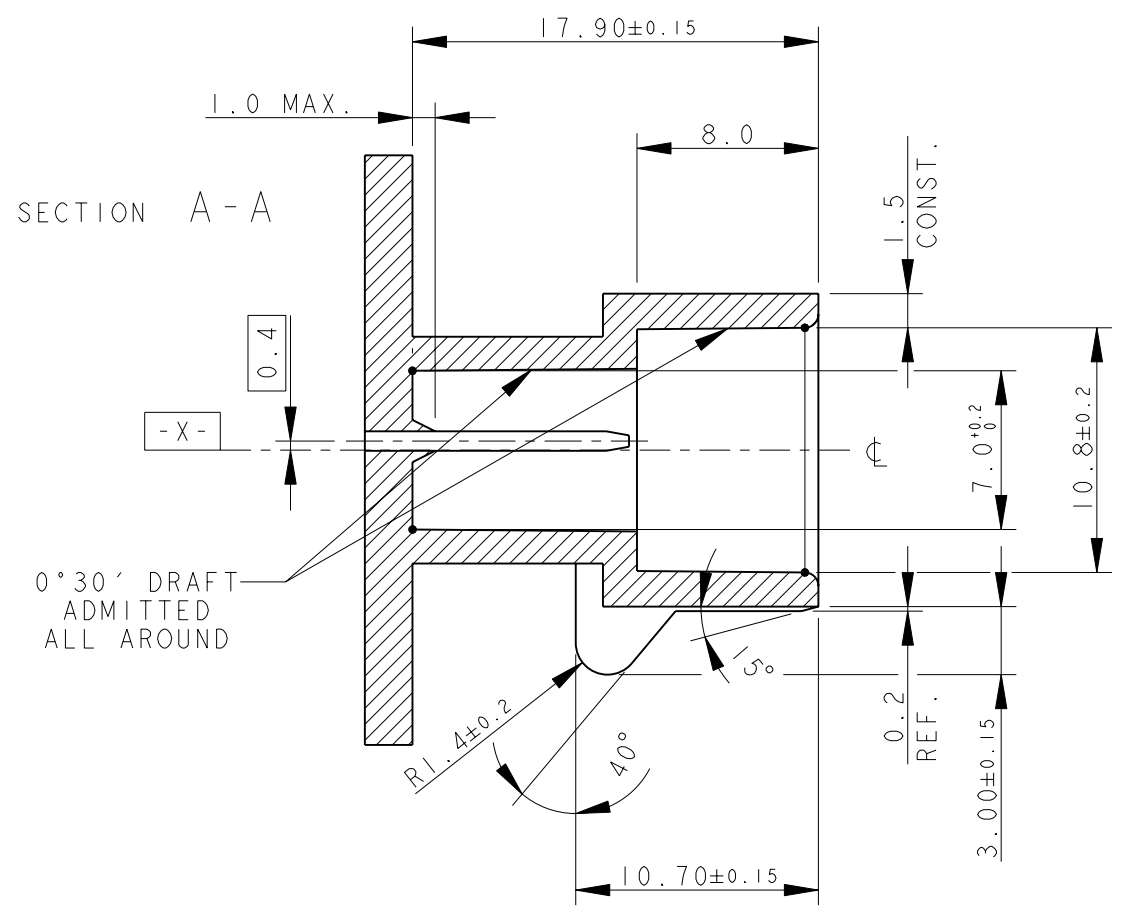
1) FOR COUNTERPART DETAILS, SEE SHEET 2 OF 2
 2) -1 AND -2 ARE DIFFERENT FOR COLOR ONLY

THIS DRAWING IS A CONTROLLED DOCUMENT.		DWN C. BERTINI 05-1992		TE Connectivity	
DIMENSIONS: mm		CHK A. BRUNI 05-1992			
TOLERANCES UNLESS OTHERWISE SPECIFIED:		APVD -		NAME	
0 PLC ±-		PRODUCT SPEC 108-20090		AMP SUPERSEAL 1.5 SRS. 4 POSITIONS PLUG ASS'Y	
1 PLC ±0.3		APPLICATION SPEC 412-20000			
2 PLC ±-		WEIGHT 4.65gr		SIZE A3	CAGE CODE 00779
3 PLC ±-		CUSTOMER DRAWING		DRAWING NO C-282088	RESTRICTED TO -
4 PLC ±-		SCALE 5:1		SHEET 1 OF 2	REV B4
ANGLES ±°					
FINISH -					

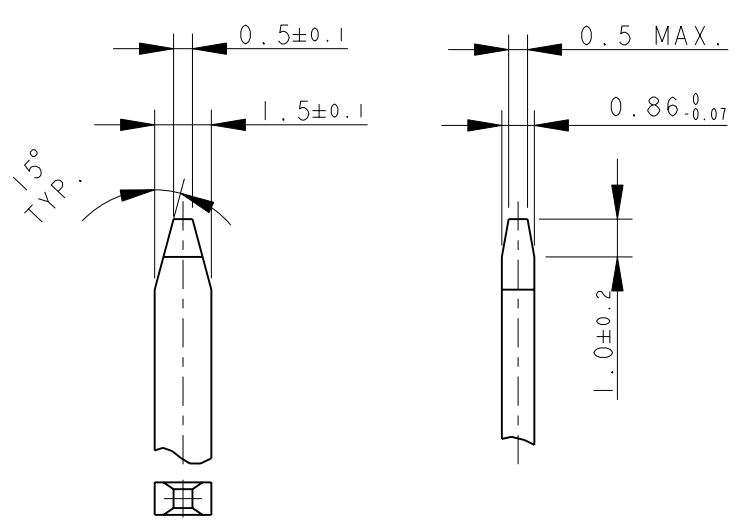
THIS DRAWING IS UNPUBLISHED. RELEASED FOR PUBLICATION 2007
 © COPYRIGHT 2007 ALL RIGHTS RESERVED.

LOC	DIST	REVISIONS			
P	LTR	DESCRIPTION	DATE	DWN	APVD
-	-	SEE SHEET 1		-	-

COUNTERPART DETAILS



TAB DETAILS



MATERIALS: PA66-GF FOR HOUSING
 TIN PLATED BRASS FOR TABS

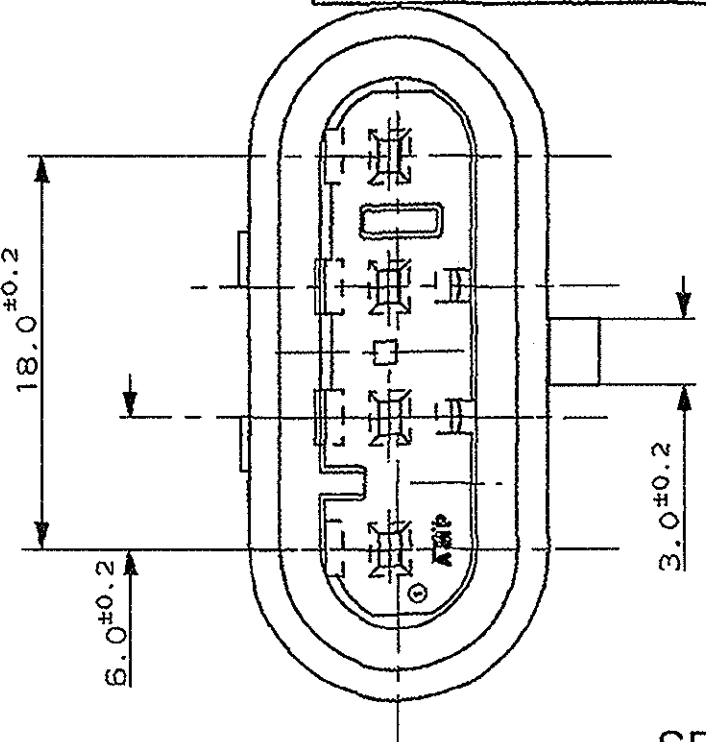
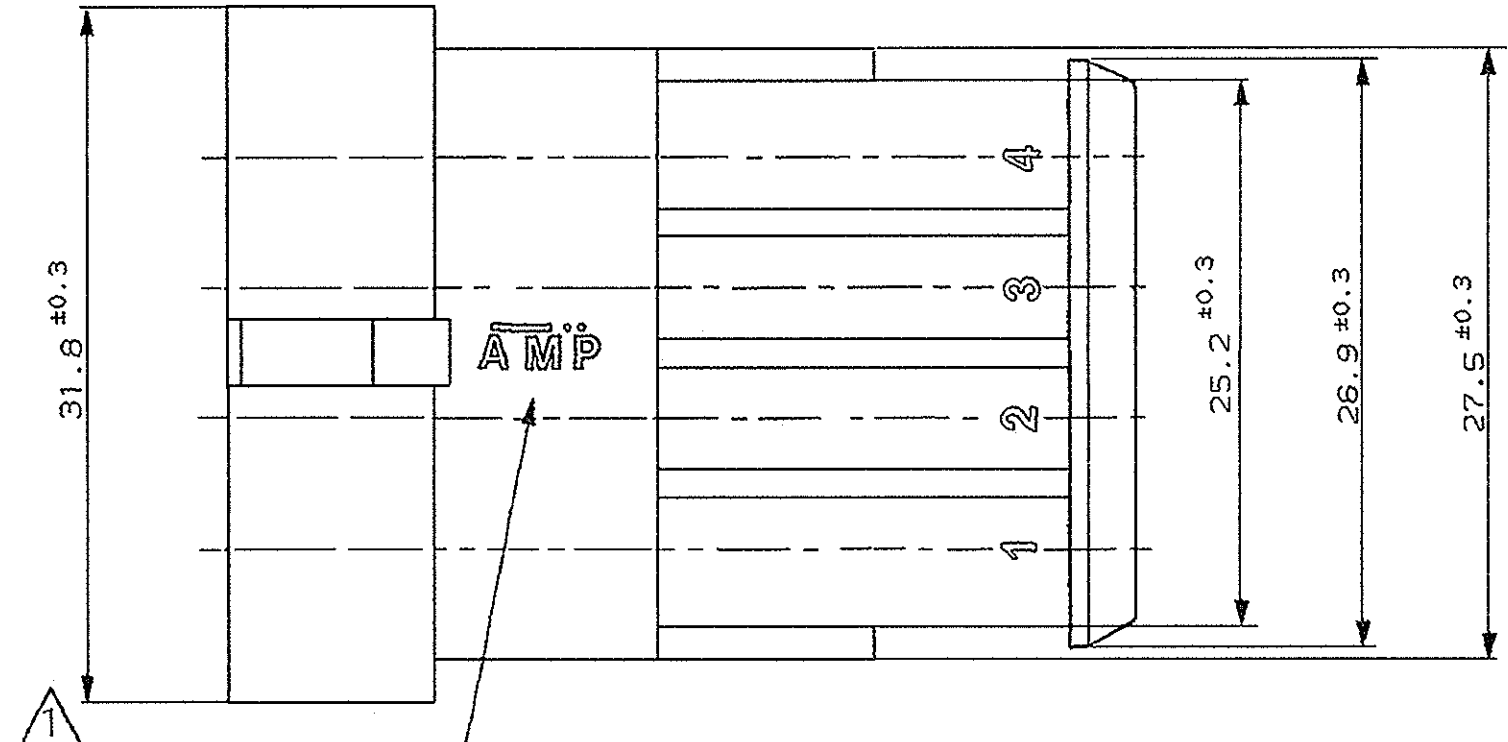
THIS DRAWING IS A CONTROLLED DOCUMENT.		DWN C. BERTINI 05-1992	TE Connectivity		
DIMENSIONS: mm		CHK A. BRUNI 05-1992			
TOLERANCES UNLESS OTHERWISE SPECIFIED:		APVD -	NAME		
0 PLC ±0.3 1 PLC ±0.1 2 PLC ±0.05 3 PLC ± 4 PLC ± ANGLES ±2°		PRODUCT SPEC -	AMP SUPERSEAL 1.5 SRS. 4 POSITIONS PLUG ASS'Y		
MATERIAL		APPLICATION SPEC -	SIZE A300779	CAGE CODE C-282088	RESTRICTED TO -
FINISH		WEIGHT -	SCALE 3:1		SHEET 2 OF 2
		CUSTOMER DRAWING	REV B4		

1 2 3 4 5 6 7 8

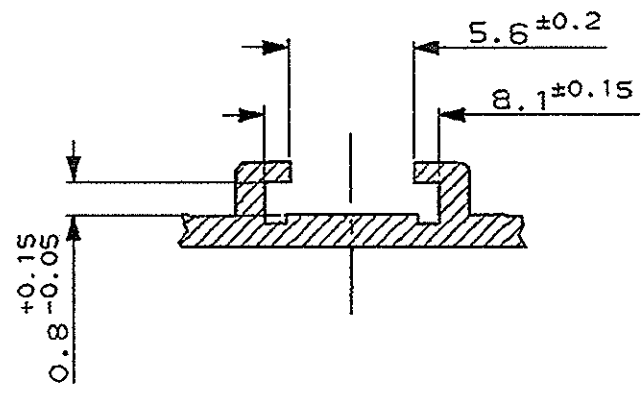
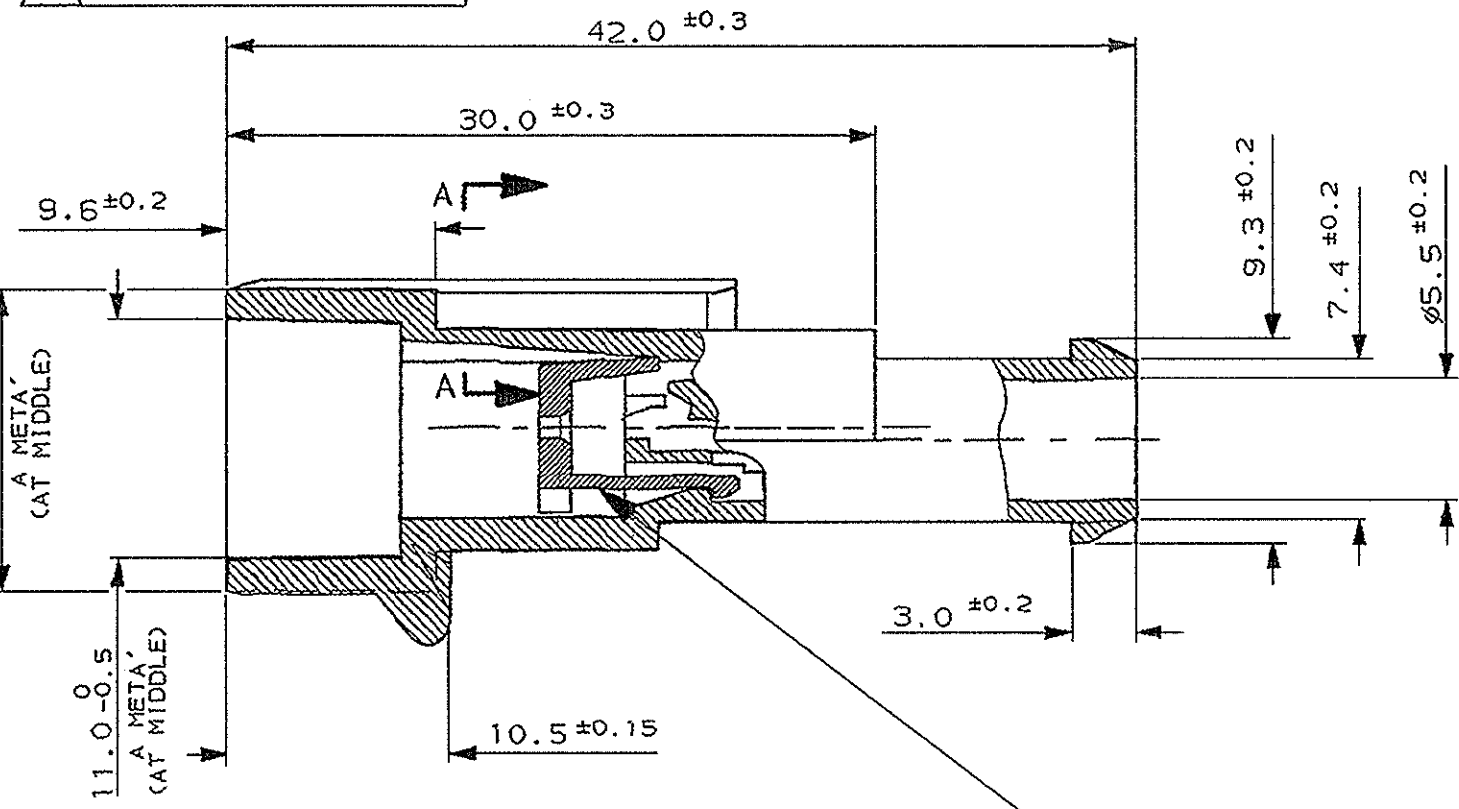
SCALA NON IMPEGNATIVA
(DO NOT SCALE)
DIMENSIONI IN
(DIMENSIONS IN) mm

METRIC

PROIEZIONE EUROPEA
(EUROPEAN PROJECTION)



SEZ. PARZ. A-A
(PART. SECT. A-A)



AGGANCIAMENTO SECONDARIO, COLORE ROSSO, PRE-ASSEMBLATO
(SECONDARY LOCK, RED COLOUR, IN PRE-ASSEMBLED POSITION)

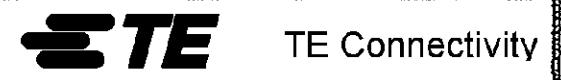
LOGO "AMP" O, IN ALTERNATIVA, LOGO "TYCO"
("AMP" TRADE MARK OR, IN ALTERNATIVE, "TYCO" TRADE MARK)

GRIGIO (GREY)	PA 6.6 CAR. VETRO	282106-2
NERO (BLACK)	(PA 6.6 G.F.)	282106-1
FINITURA / COLORE (FINISH / COLOUR)	MATERIALE (MATERIAL)	NUMERO (PART NUMBER)

CUSTOMER DWG. FOR REFERENCE ONLY DISEGNO PER CLIENTE SOLO PER RIFERIMENTO

~~THIS DRAWING IS UNPUBLISHED~~ RELEASE FOR PUBLICATION 19

TOLLERANZE, SE NON DIVERSAMENTE SPECIFICATO (TOLERANCES, UNLESS OTHERWISE SPECIFIED)	DIAM. ISOLANTE (INS. DIA. RANGE)	RANGO FILO (WIRE RANGE)	SCALA (SCALE)
ANGOLI (ANGLES) ± 0.3	-	-	-
ANGOLI (ANGLES) ± 2°			



DIS. (DR.) C. BERTINI	2-90	DESCRIZIONE (DESCRIPTION) 4 POS TAB ASS'Y
CONT. (CHK) A. BRUNI	2-90	AMP SUPERSEAL 1.5 SERIES CONNECTORS

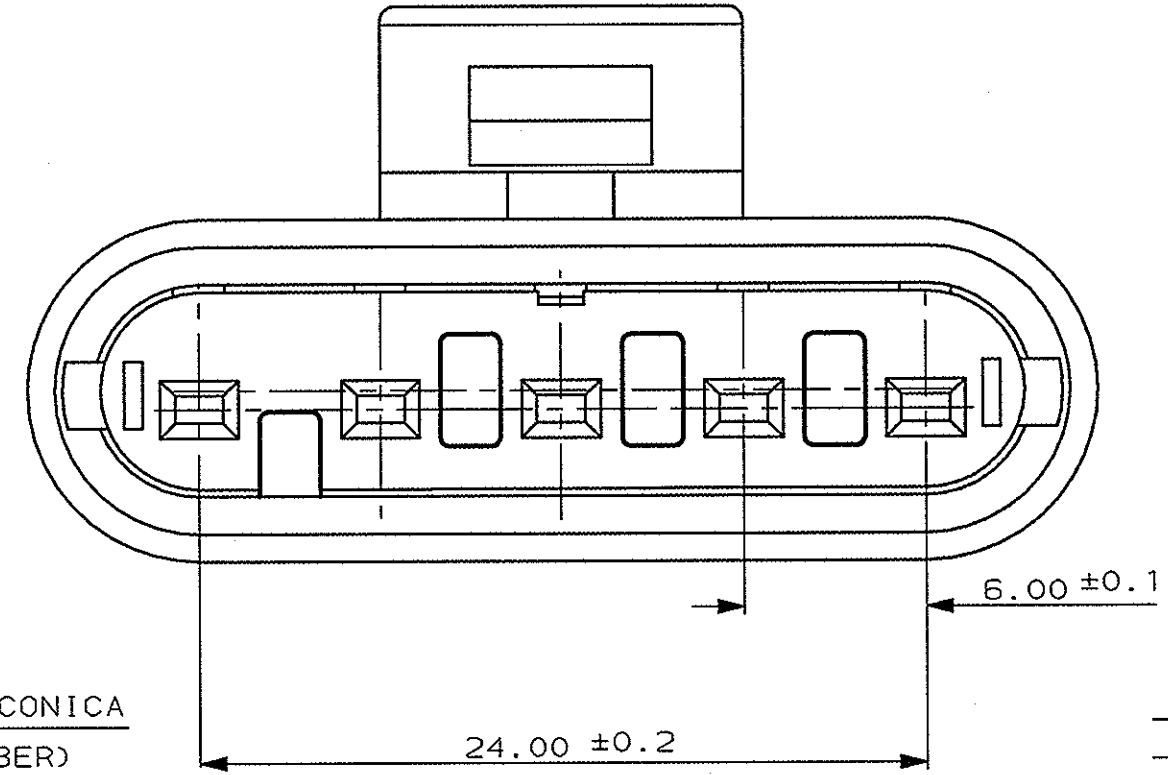
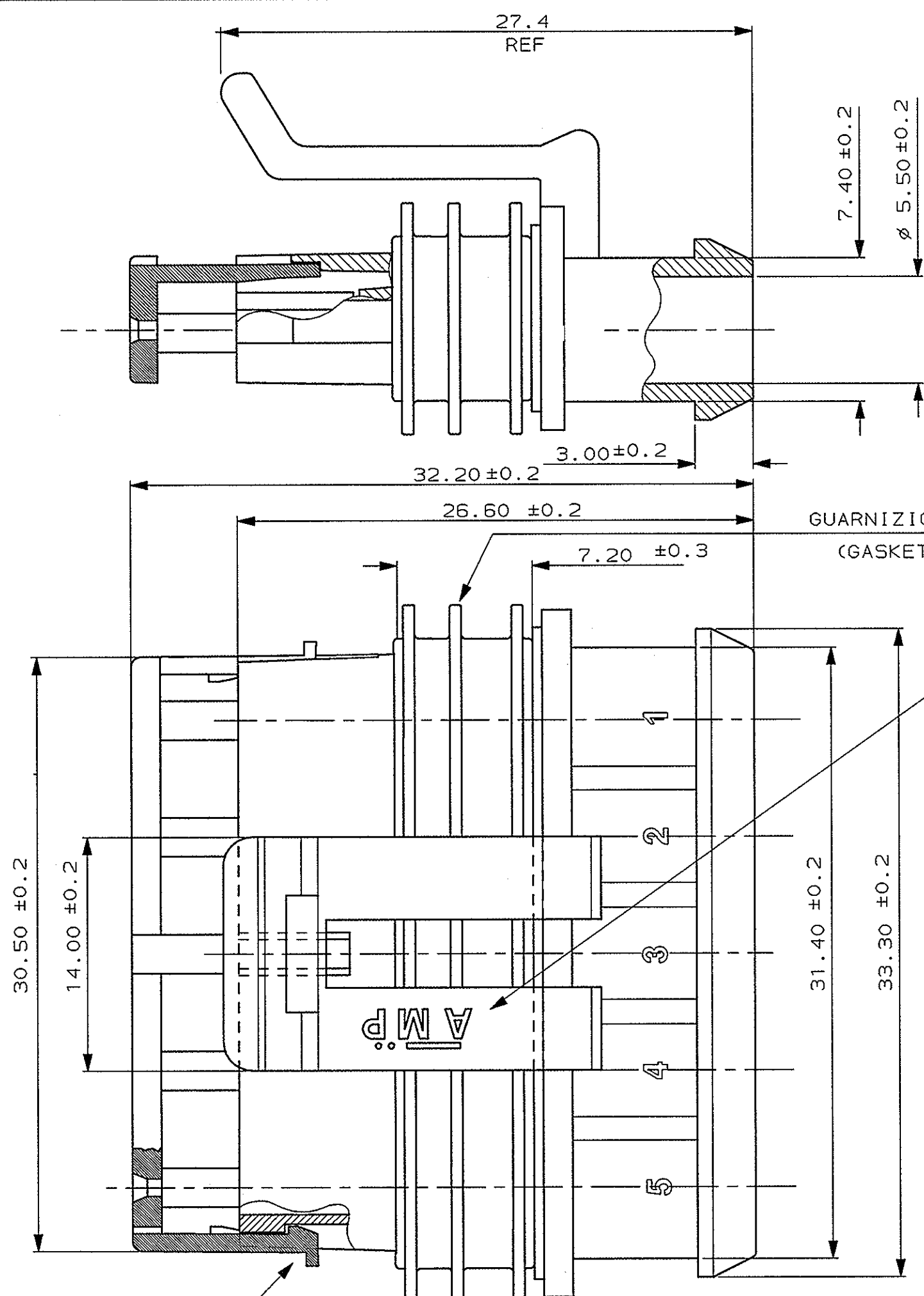
REV. (REV.) B2	REVISIONI (REVISION RECORD) REVISED PER ECO-11-009901	RK	APP. (APP.)	LOC. (LOC.) I A3	NUMERO (CONS. NO.) C-282106	REV. (REV.) B2	FOLIO (SHEET) 1
----------------	---	----	-------------	------------------	-----------------------------	----------------	-----------------

DISTRIBUZIONE (PRINT DIST.)

1 2 3 4 5 6 7 8

SCALA NON IMPEGNATIVA (DO NOT SCALE)
 DIMENSIONI IN mm (DIMENSIONS IN mm)
METRIC
 PROIEZIONE EUROPEA (EUROPEAN PROJECTION)

A
B
C
D
E



GUARNIZIONE, GOMMA SILICONICA
 (GASKET, SILICONE RUBBER)

LOGO "AMP"
 ("AMP" TRADE MARK)

1) PER RAPPRESENTAZIONE DIMA CONTROPARTE
 VEDERE FOGLIO 2 DI 2.
 (FOR COUNTERPART DETAIL SEE SHEET 2 OF 2)

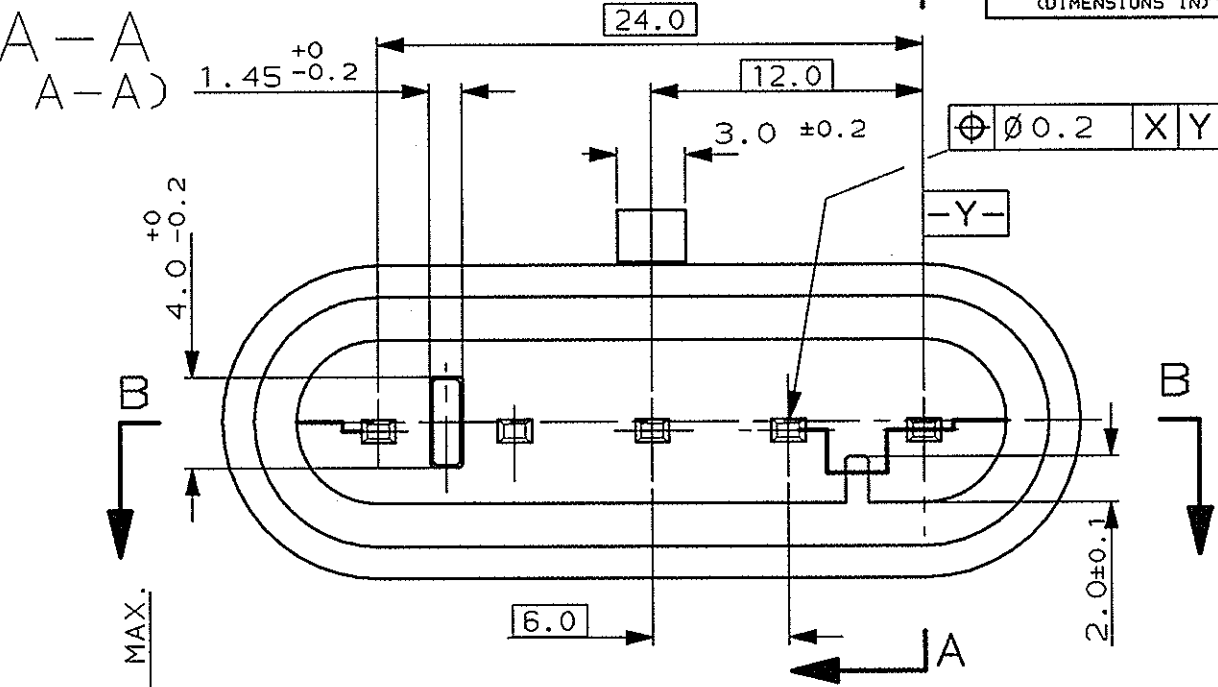
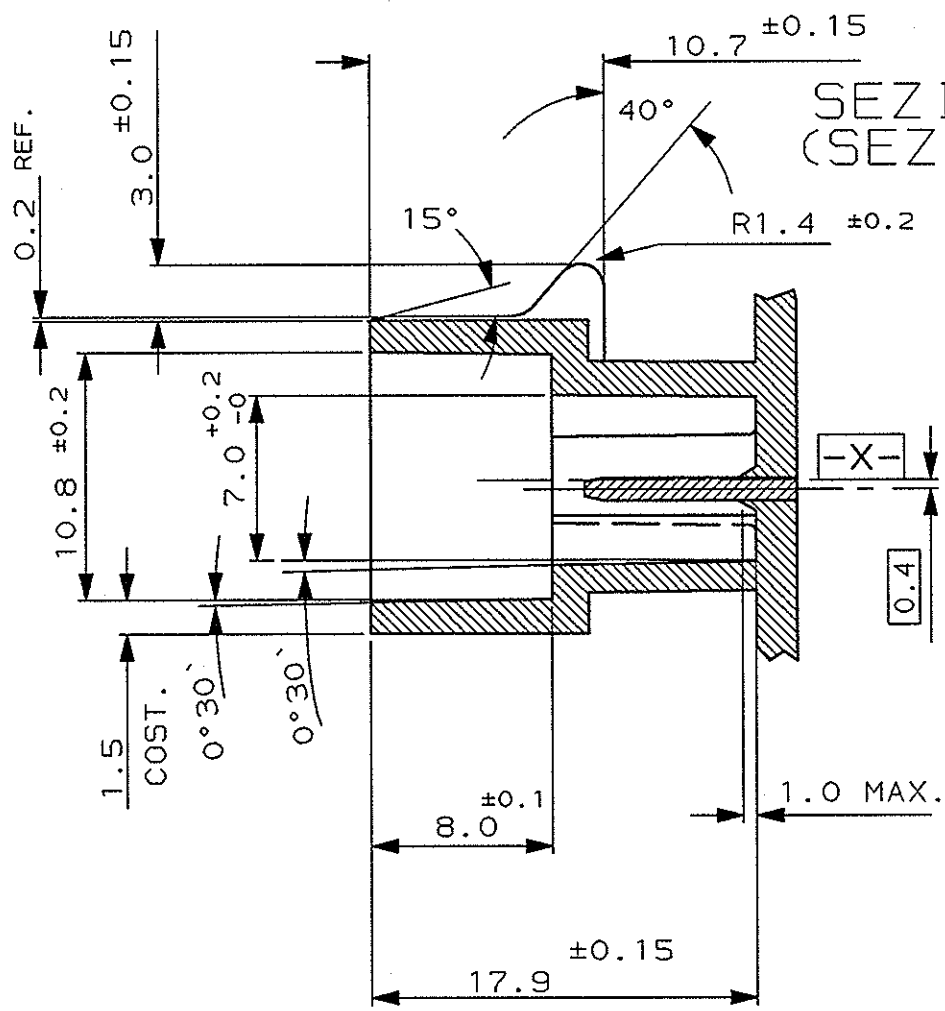
OBSOLETE	GRIGIO (GREY)	PA 6.6 CAR. VETRO	282089-2
	NERO (BLACK)	(PA 6.6 G.F.)	282089-1
	FINITURA / COLORE (FINISH / COLOUR)	MATERIALE (MATERIAL)	NUMERO (PART NUMBER)

CUSTOMER DWG. FOR REFERENCE ONLY		DISEGNO PER CLIENTE SOLO PER RIFERIMENTO	
THIS DRAWING IS UNPUBLISHED		RELEASE FOR PUBLICATION 19	
© COPYRIGHT 19 BY AMP INCORPORATED, HARRISBURG, PA. ALL INTERNATIONAL RIGHT RESERVED. AMP PRODUCTS MAY BE COVERED BY U.S. AND FOREIGN PATENT AND/OR PATENT PENDING			
TOLLERANZE, SE NON DIVERSAMENTE SPECIFICATO (TOLERANCES, UNLESS OTHERWISE SPECIFIED)	DIAM. ISOLANTE (INS. DIA. RANGE)	RANGO FILO (WIRE RANGE)	SCALA (SCALE)
± 0.3	-	-	-
ANGOLI (ANGLES)	AMP ITALIA S.p.A. Corso F.lli Cervi, 15 COLLEGNO (TORINO)		
DIS. (DR.)	DESCRIZIONE (DESCRIPTION) 5 POS. PLUG ASS'Y		
CONT. (CHK)	AMP SUPERSEAL 1.5 SERIES CONNECTORS		
APP. (APP.)	LOC. (LOC.)	SIZE (SIZE)	NUMERO (DWG NO)
	I A3	C-282089	C3 1
REV. (REV.)	REVISIONI (REVISION RECORD)	DIS. DATA (DR DATE)	FOGLIO (SHEET) 1 DI (OF) 2

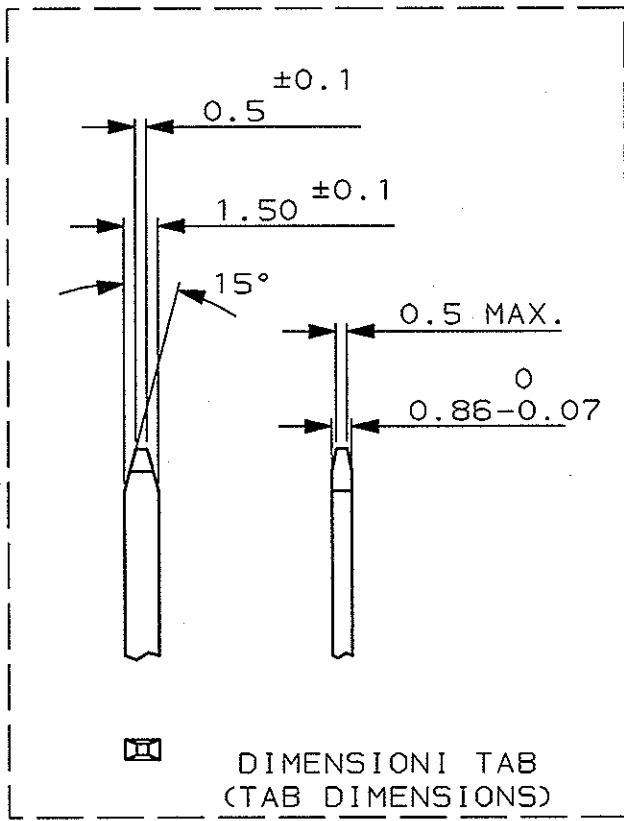
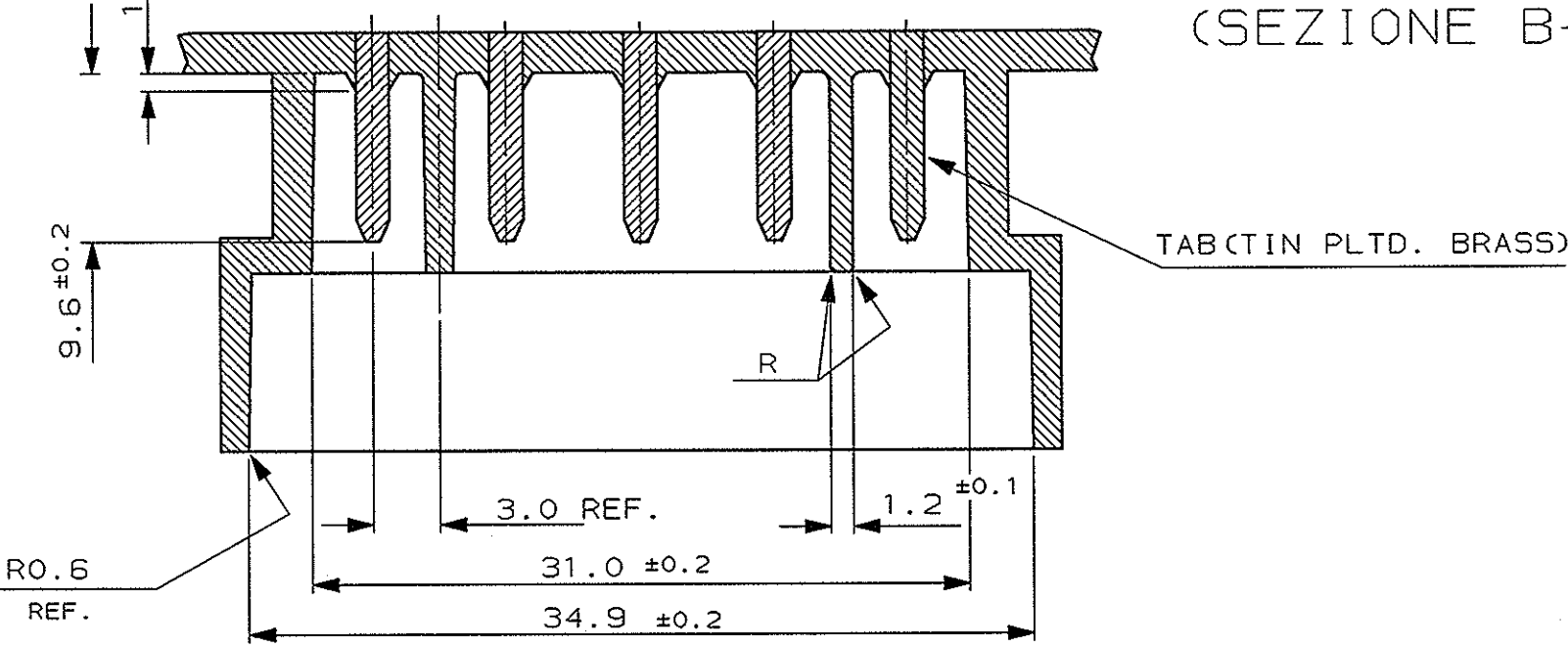
AGGANCIO SECONDARIO, COLORE ROSSO, PRE-ASSEMBLATO
 (SECONDARY LOCK, RED COLOUR, IN PRE-ASSEMBLED POSITION)

DISTRIBUZIONE (PRINT DIST.)

SEZIONE A-A
 (SEZIONE A-A)



SEZIONE B-B
 (SEZIONE B-B)



	PA 6.6 CAR. VETRO (PA 6.6 G.F.)	
FINITURA / COLORE (FINISH / COLOUR)	MATERIALE (MATERIAL)	NUMERO (PART NUMBER)

CUSTOMER DWG. FOR REFERENCE ONLY DISEGNO PER CLIENTE SOLO PER RIFERIMENTO

THIS DRAWING IS UNPUBLISHED RELEASE FOR PUBLICATION 19

© COPYRIGHT 19 BY AMP INCORPORATED, HARRISBURG, PA. ALL INTERNATIONAL RIGHT RESERVED. AMP PRODUCTS MAY BE COVERED BY U.S. AND FOREIGN PATENT AND/OR PATENT PENDING

TOLLERANZE: SE NON DIVERSAMENTE SPECIFICATO (TOLERANCES, UNLESS OTHERWISE SPECIFIED)	DIAM. ISOLANTE (INS. DIA. RANGE)	RANGO FILO (WIRE RANGE)	SCALA (SCALE)
± 0.3	-	-	-

ANGOLI (ANGLES) ± 2°

tyco AMP ITALIA S.p.A.
 Electronics Corso F.lli Cervi, 15
 COLLEGNO (TORINO)

DIS. (DR.) C.BERTINI 5-92 DESCRIZIONE (DESCRIPTION) COUNTERPART FOR FIVE POS.REC.HSG.ASS'Y

CONT. (CHK) A.BRUNI 5-92

VEDI FOGLIO 1 DI 2 (SEE SHEET 1 OF 2)	REV. (REV. LTR.)	REVISIONI (REVISION RECORD)	DIS. DATA (DR) (DATE)	APP. (APP.)

LOC. SIZE	NUMERO (DWG NO)	REV.	FOGLIO (SHEET)
I A3	C-282089	C3	2 OF 2

4

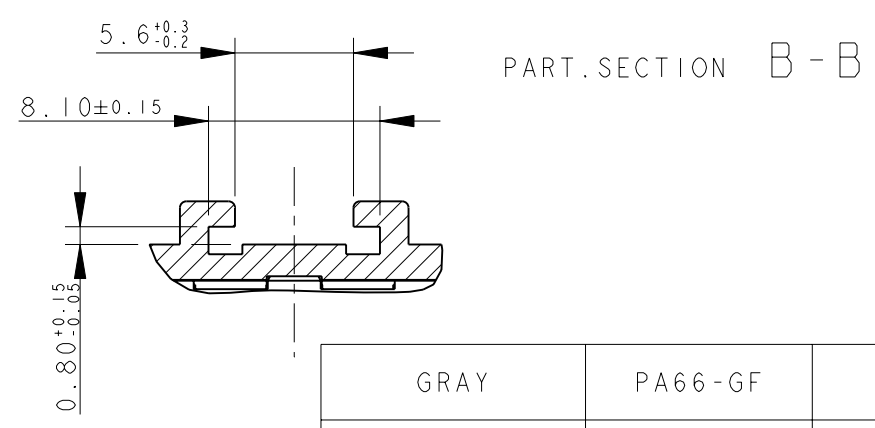
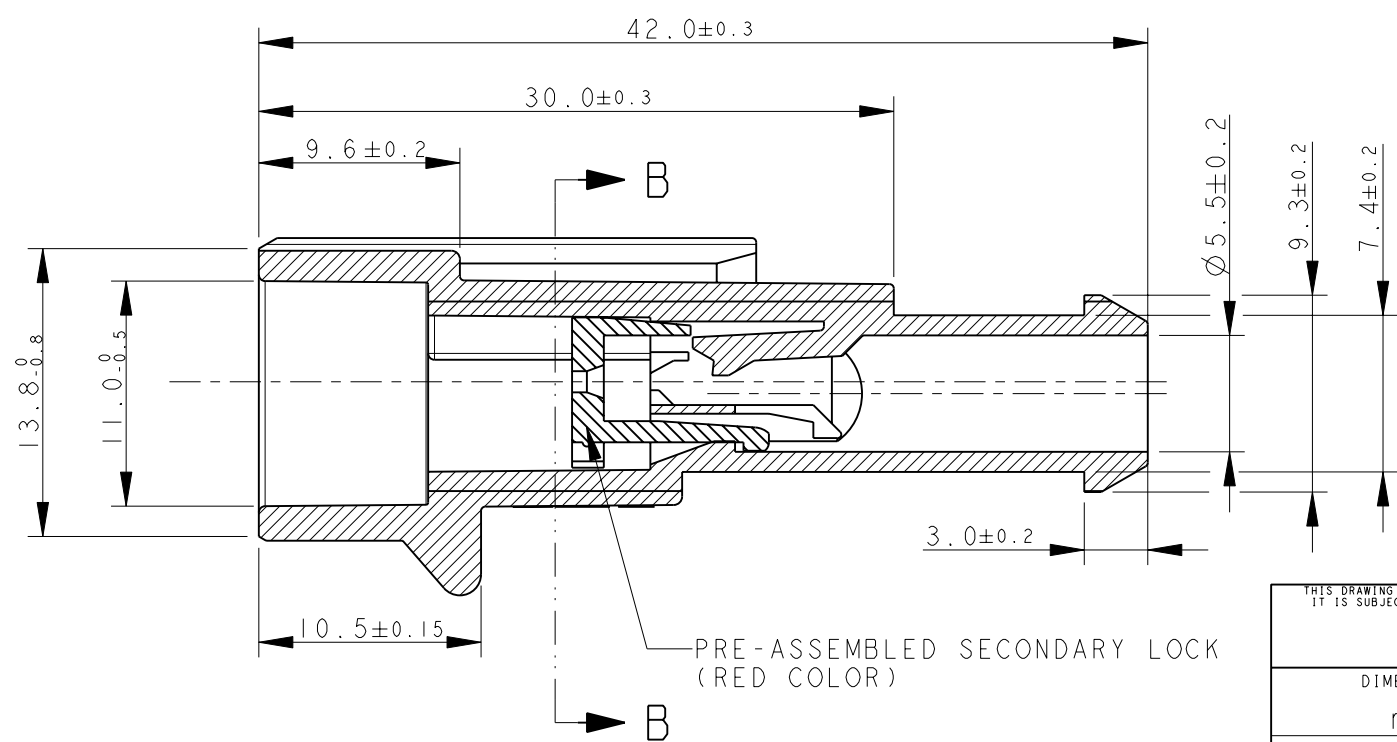
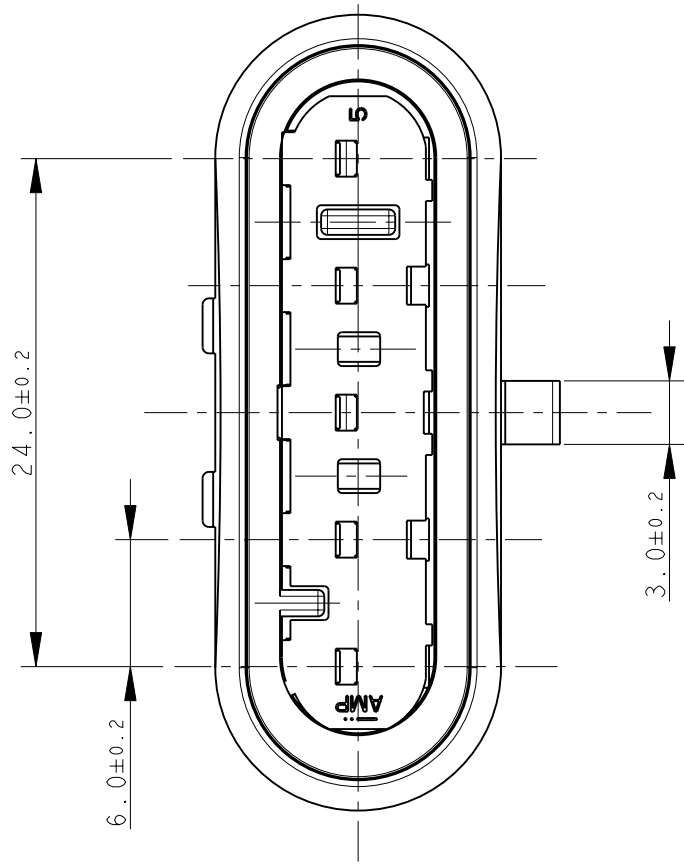
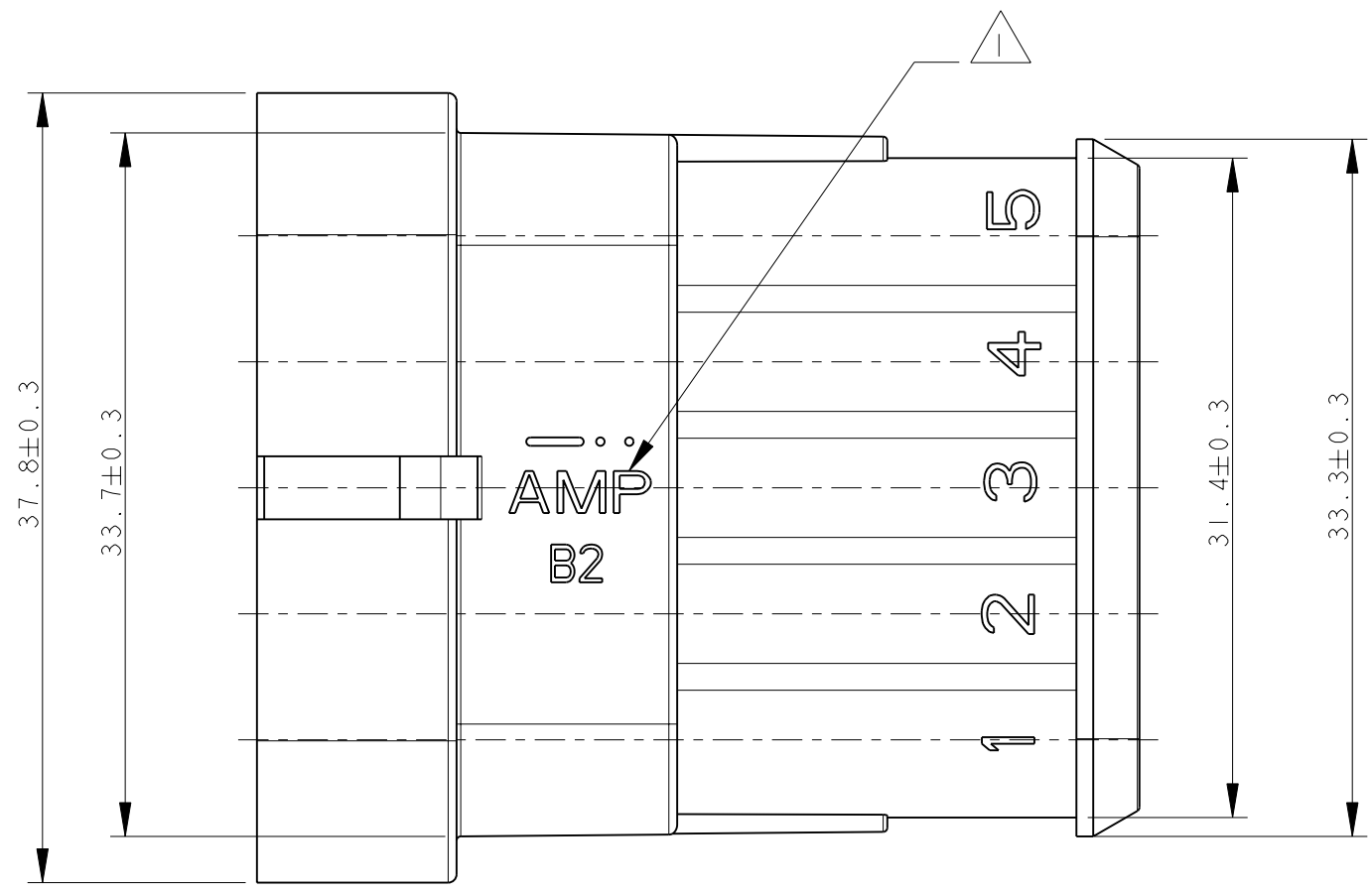
3

2

1

THIS DRAWING IS UNPUBLISHED. RELEASED FOR PUBLICATION 2009
 © COPYRIGHT 2009 BY TYCO ELECTRONICS CORPORATION. ALL INTERNATIONAL RIGHTS RESERVED.

LOC	DIST	REVISIONS					
		P	LTR	DESCRIPTION	DATE	DWN	APVD
1	-	B		REDRAWN (ECR-10-004138)	02MAR2010	M.G.	M.G.



1 LOGO "AMP" O, IN ALTERNATIVA, LOGO TYCO ELECTRONICS ("AMP" TRADE MARK OR, IN ALTERNATIVE, TYCO ELECTRONICS TRADE MARK)

THIS DRAWING IS A CONTROLLED DOCUMENT FOR TYCO ELECTRONICS CORPORATION IT IS SUBJECT TO CHANGE AND THE CONTROLLING ENGINEERING ORGANIZATION SHOULD BE CONTACTED FOR THE LATEST REVISION.

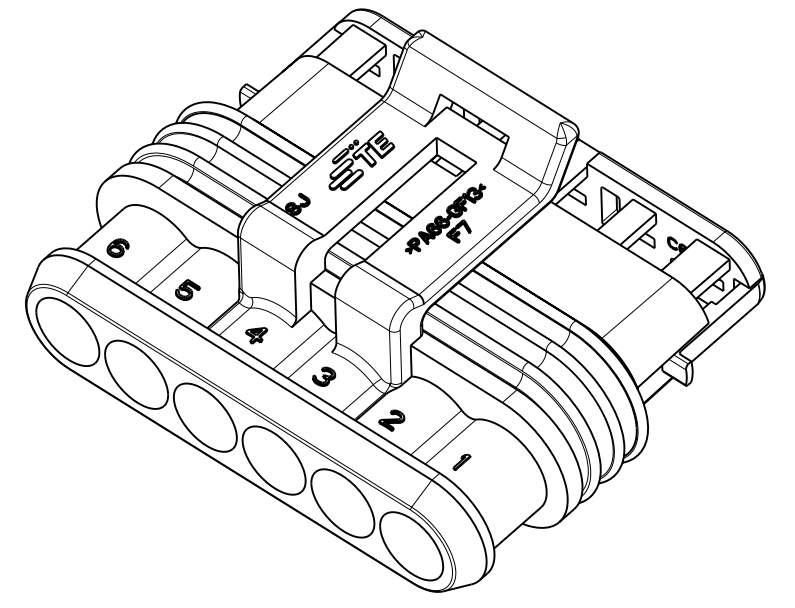
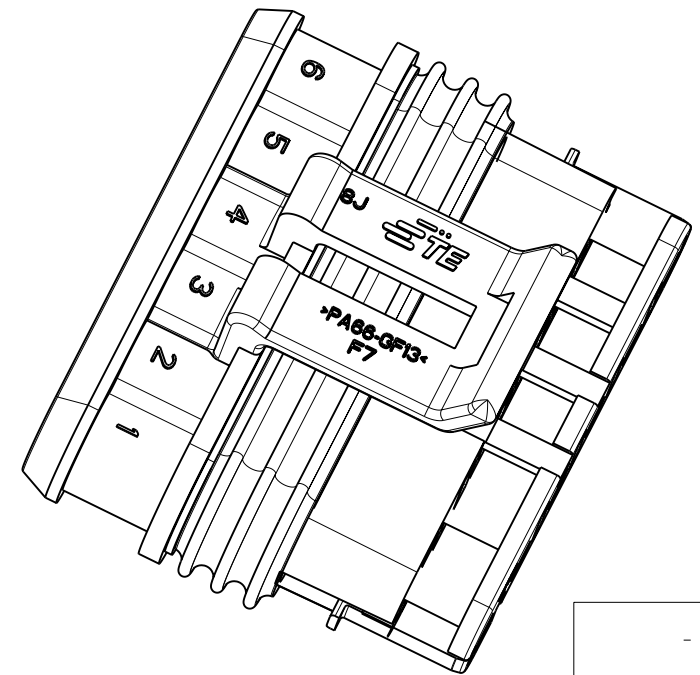
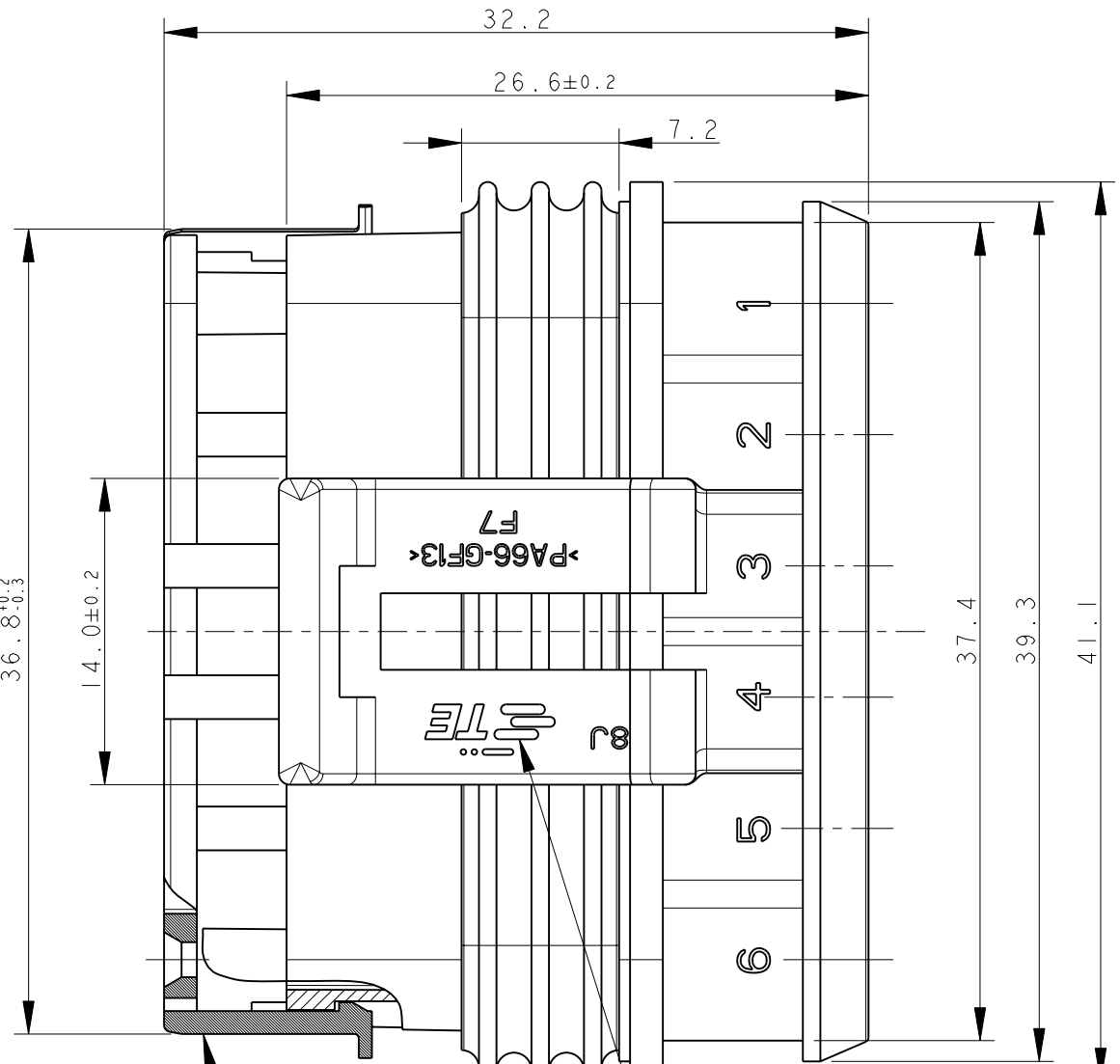
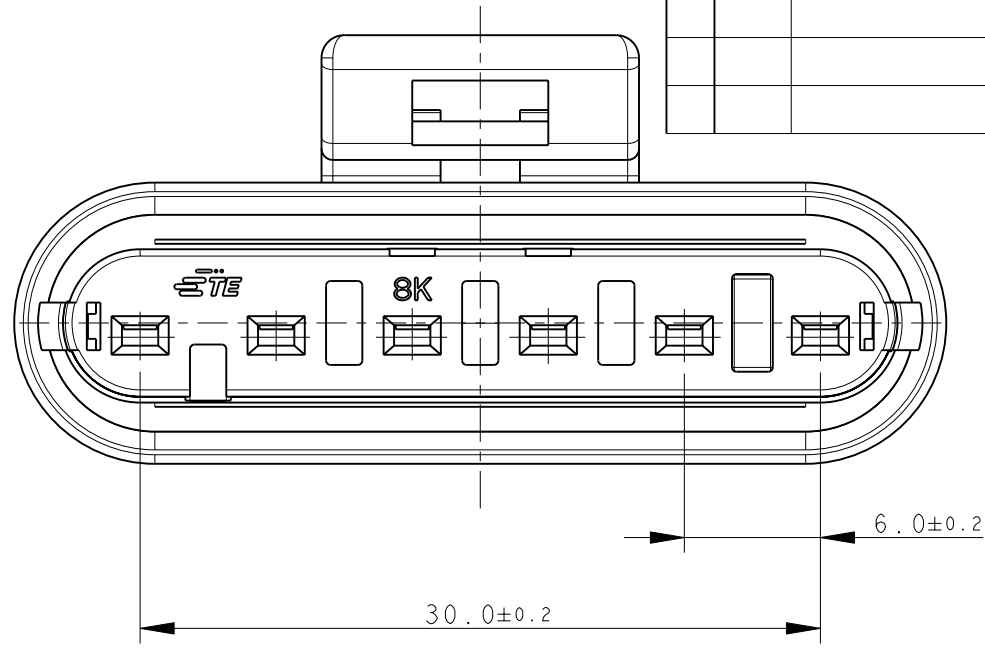
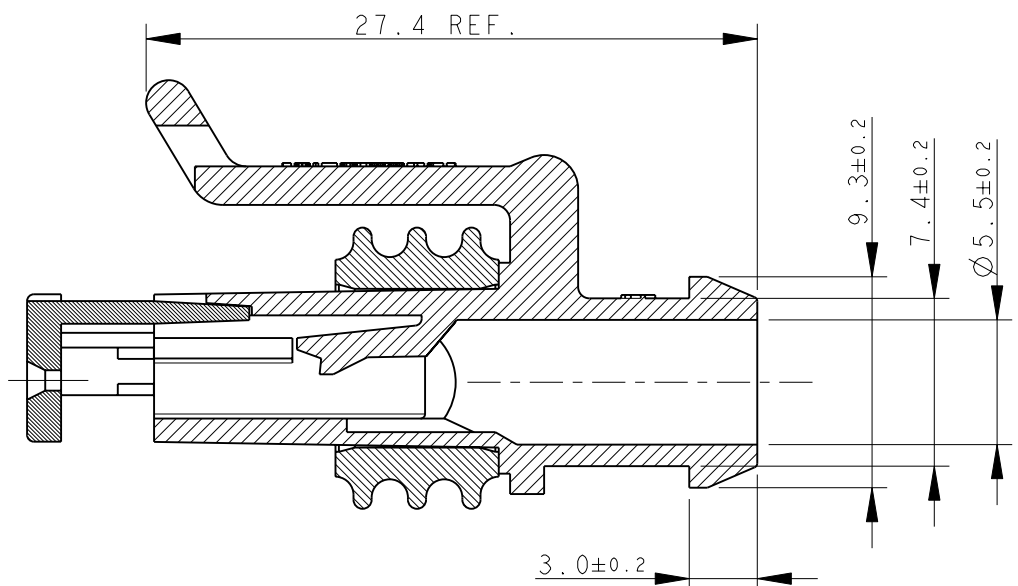
DIMENSIONS: mm		TOLERANCES UNLESS OTHERWISE SPECIFIED:	
		0 PLC	±-
		1 PLC	±0.3
		2 PLC	±-
		3 PLC	±-
		4 PLC	±-
		ANGLES	±2°
MATERIAL -		FINISH -	

DWN	C. BERTINI	02-1990
CHK	A. BRUNI	02-1990
APVD	-	-
PRODUCT SPEC	108-20090	
APPLICATION SPEC	-	
WEIGHT	-	
CUSTOMER DRAWING		

GRAY	PA66-GF	282107-2
BLACK	PA66-GF	282107-1
FINISH/COLOR	MATERIAL	PART NUMBER
Tyco Electronics AMP Italia S.r.l. Corso F.lli Cervi,15 - Collegno (TO)		
NAME		
AMP SUPERSEAL 1.5 SRS. 5 POSITIONS TAB ASS'Y		
SIZE	CAGE CODE	DRAWING NO
A3	00779	C-282107
RESTRICTED TO		
-		
SCALE	SHEET	OF
-	1	1
REV		B

THIS DRAWING IS UNPUBLISHED. RELEASED FOR PUBLICATION 2011
 © COPYRIGHT 2011 ALL RIGHTS RESERVED.

LOC	DIST	REVISIONS			
P	LTR	DESCRIPTION	DATE	DWN	APVD
1	-	D2	REVISED BY ECR-11-024280	13DEC2011	M.F. M.G.



1) FOR COUNTERPART DETAILS, SEE SHEET 2 OF 2

-	BLACK	PA66-GF	282090-1
NOTE	FINISH/COLOR	MATERIAL	PART NUMBER

TE CONNECTIVITY TRADE MARK,
 (IN ALTERNATIVE: "AMP" LOGO,
 OR "Tyco Electronics" LOGO)

SEALING
 (SILICONE RUBBER)

PRE-ASSEMBLED SECONDARY LOCK
 (RED COLOR)

THIS DRAWING IS A CONTROLLED DOCUMENT.

DIMENSIONS: mm	TOLERANCES UNLESS OTHERWISE SPECIFIED:
	0 PLC ±-
	1 PLC ±0.3
	2 PLC ±-
	3 PLC ±-
	4 PLC ±-
	ANGLES ±2°
MATERIAL	FINISH

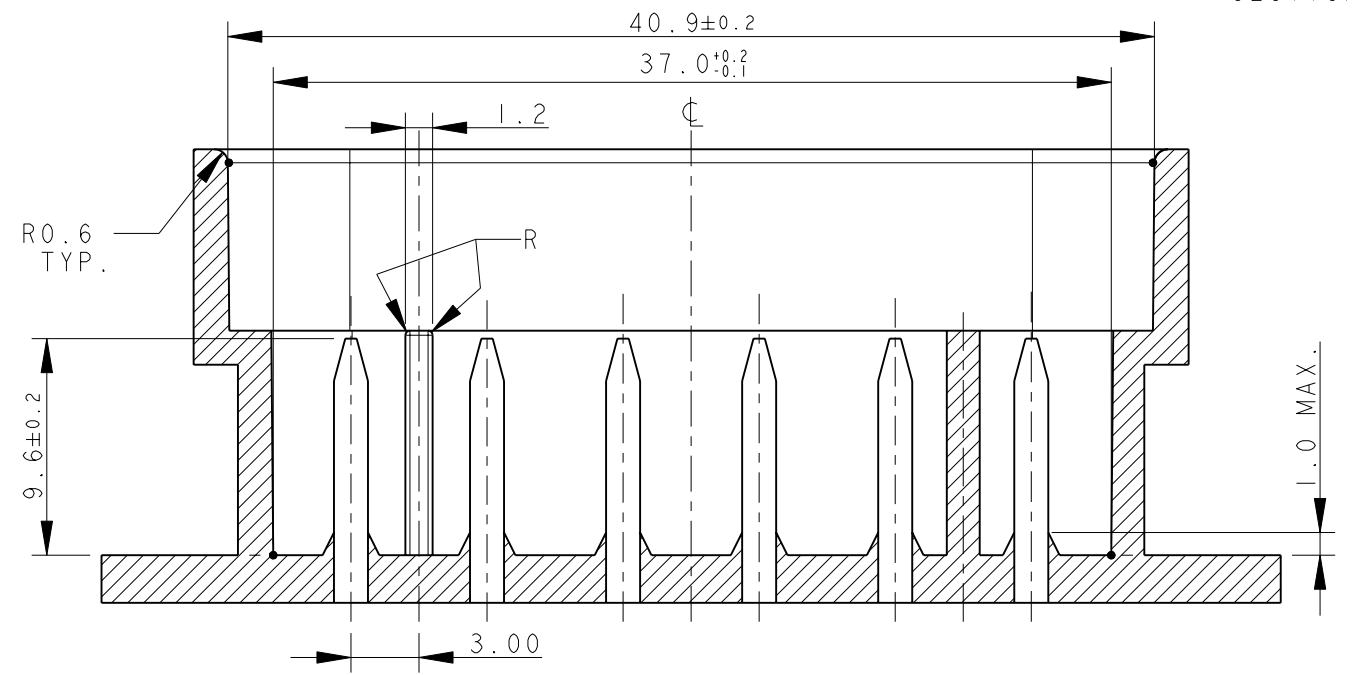
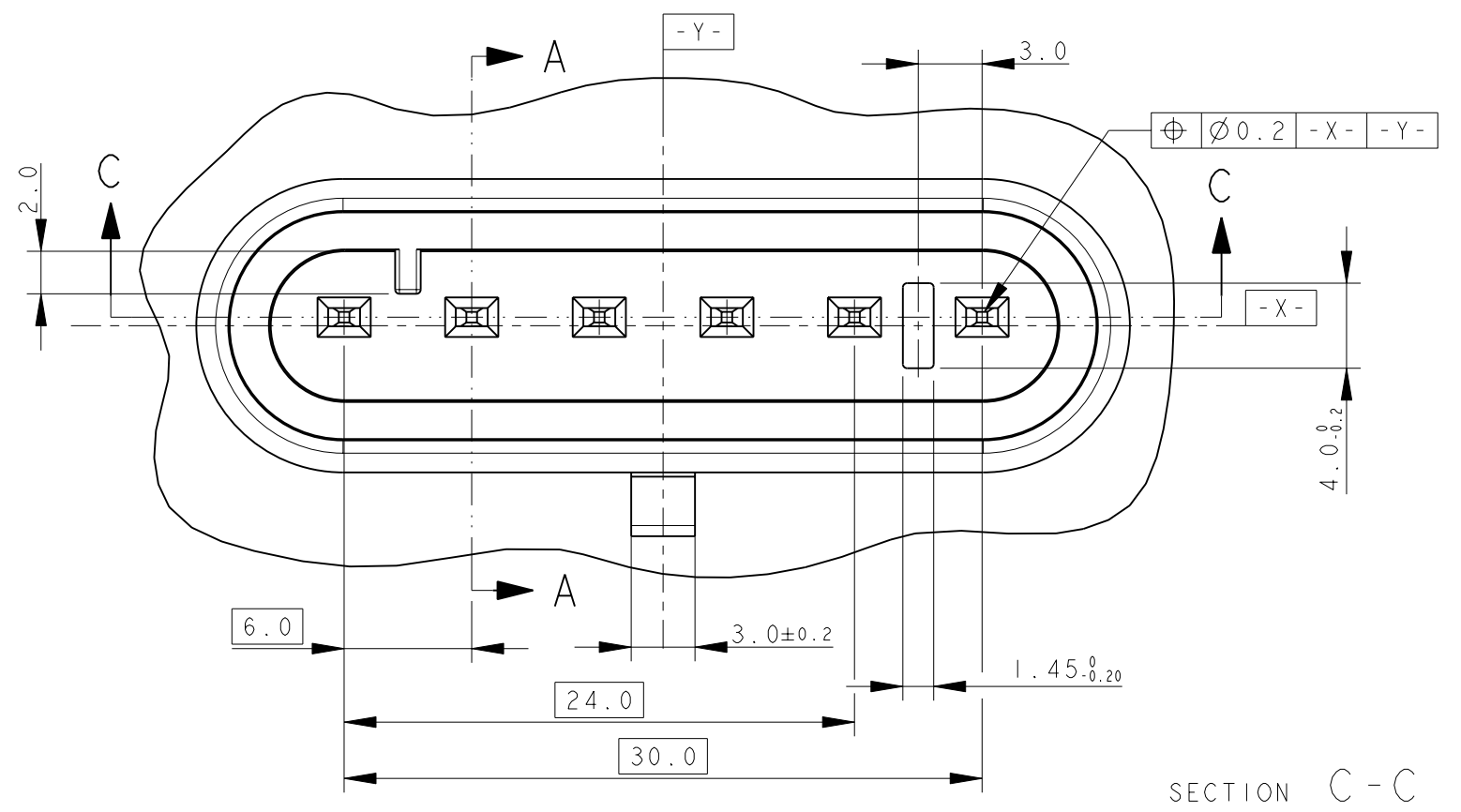
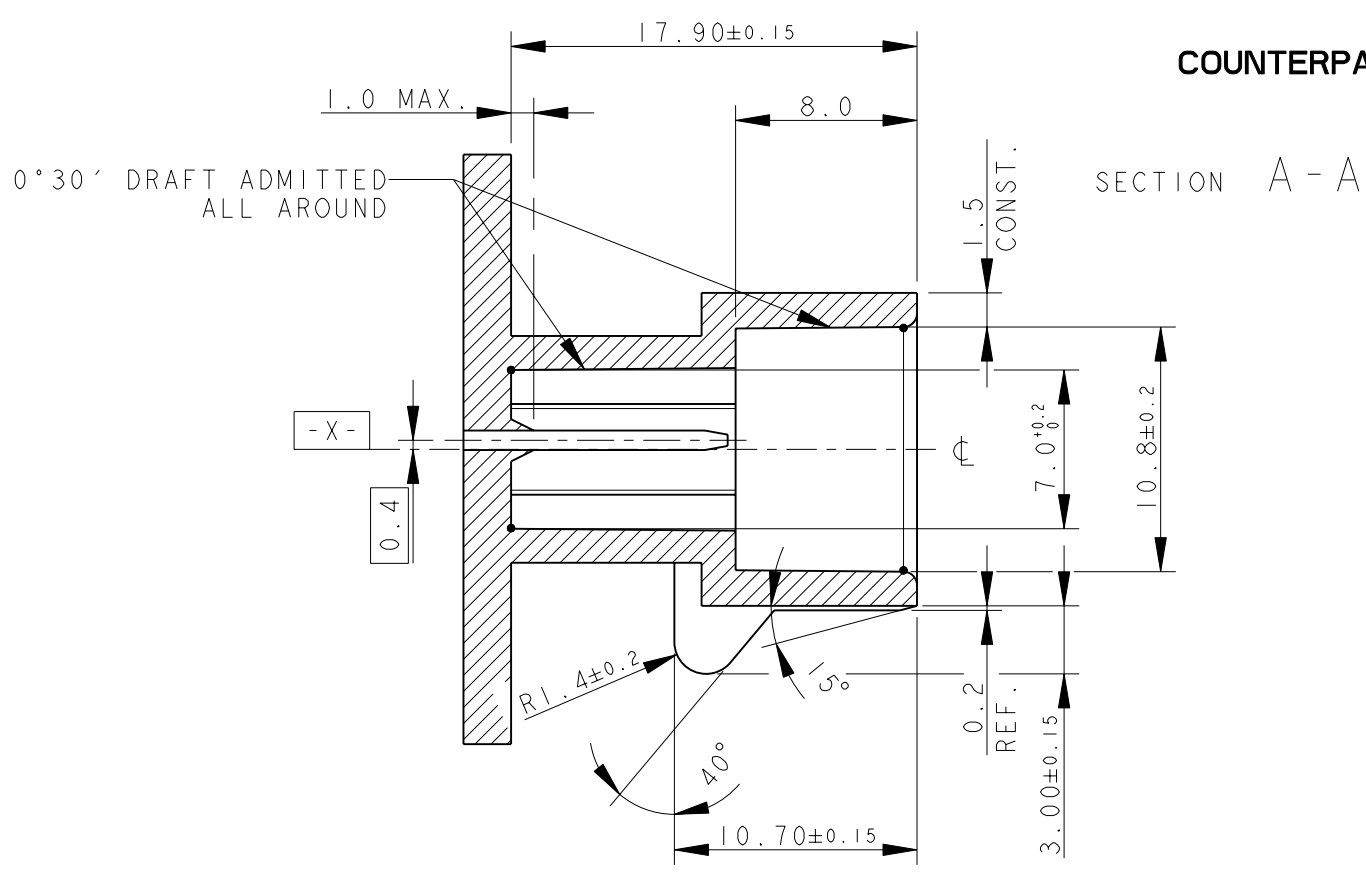
DWN	C. BERTINI	05-1992
CHK	A. BRUNI	05-1992
APVD	-	-
PRODUCT SPEC	108-20090	
APPLICATION SPEC	412-20000	
WEIGHT	6.55gr	

TE Connectivity		NAME	
		AMP SUPERSEAL 1.5 SRS. 6 POSITIONS PLUG ASS'Y	
SIZE	CAGE CODE	DRAWING NO	RESTRICTED TO
A3	00779	C-282090	-
CUSTOMER DRAWING		SCALE 1:1	SHEET 1 OF 2 REV D2

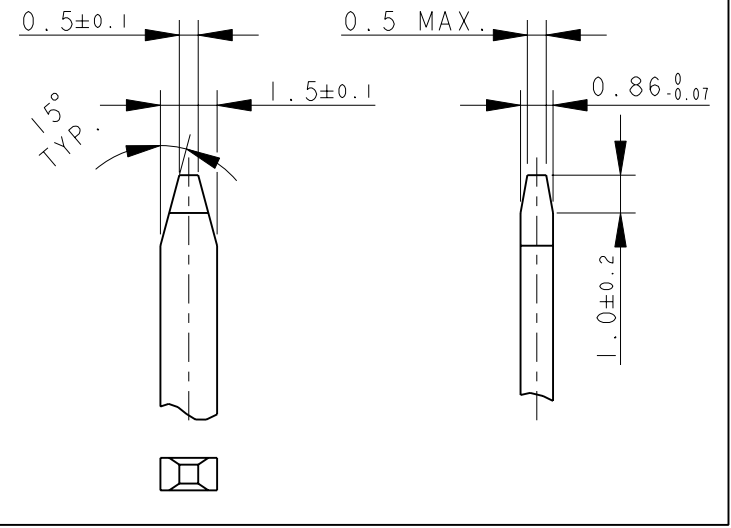
THIS DRAWING IS UNPUBLISHED. RELEASED FOR PUBLICATION 2011
 © COPYRIGHT 2011 ALL RIGHTS RESERVED.

LOC	DIST	REVISIONS			
P	LTR	DESCRIPTION	DATE	DWN	APVD
1	-	SEE SHEET 1			

COUNTERPART DETAILS



TAB DETAILS



MATERIALS: PA66-GF FOR HOUSING
 TIN PLATED BRASS FOR TABS

THIS DRAWING IS A CONTROLLED DOCUMENT.		DWN C. BERTINI 05-1992	TE Connectivity		
DIMENSIONS: mm		CHK A. BRUNI 05-1992			
TOLERANCES UNLESS OTHERWISE SPECIFIED:		APVD -	NAME		
0 PLC ±0.3 1 PLC ±0.1 2 PLC ±0.05 3 PLC ± 4 PLC ± ANGLES ±2°		PRODUCT SPEC 108-20090	AMP SUPERSEAL 1.5 SRS. 6 POSITIONS PLUG ASS'Y		
MATERIAL		APPLICATION SPEC 412-20000	SIZE A300779	DRAWING NO C-282090	RESTRICTED TO -
FINISH		WEIGHT 6.55gr	SCALE 3:1 SHEET 2 OF 2 REV D2		
CUSTOMER DRAWING					

4

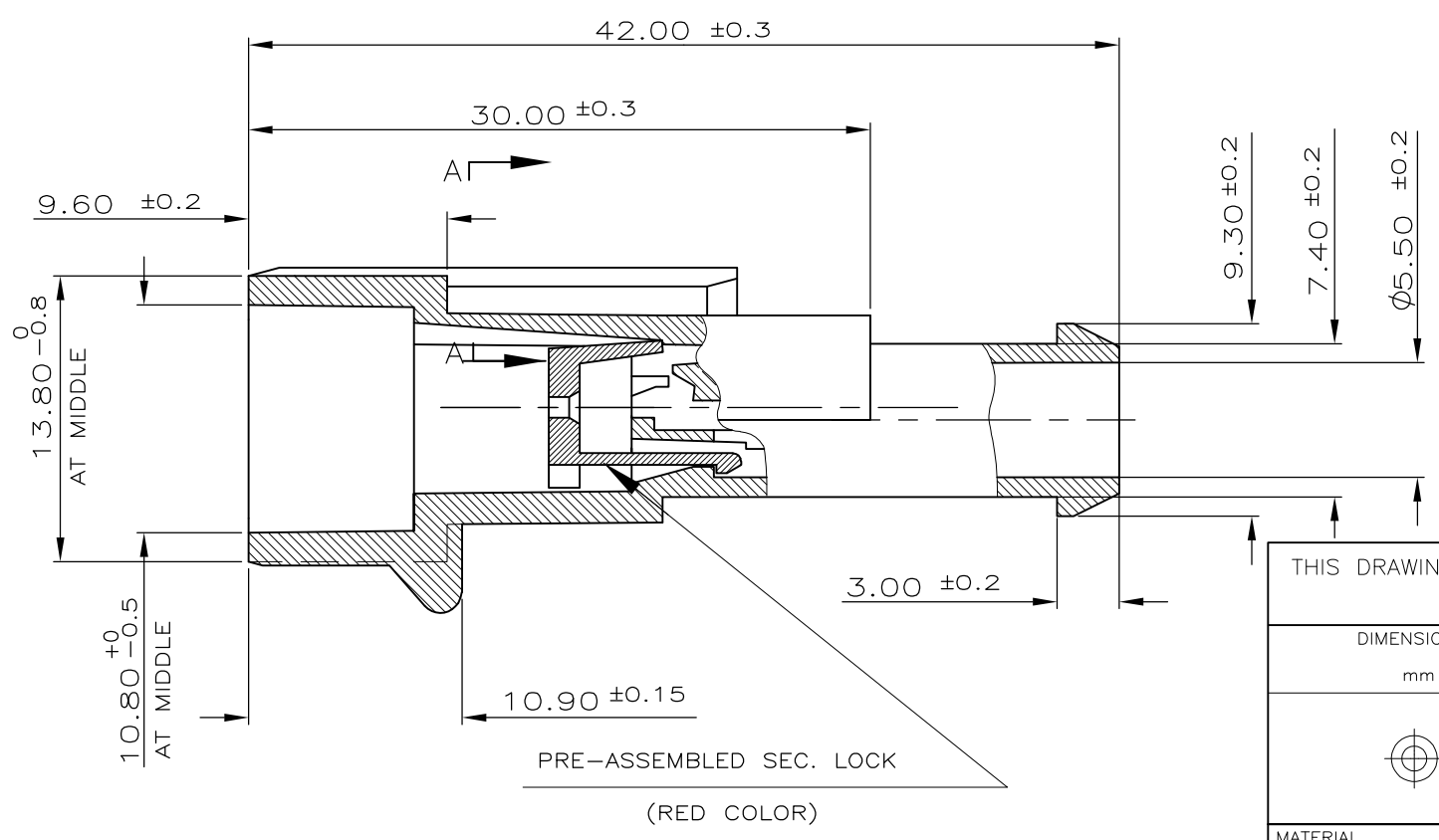
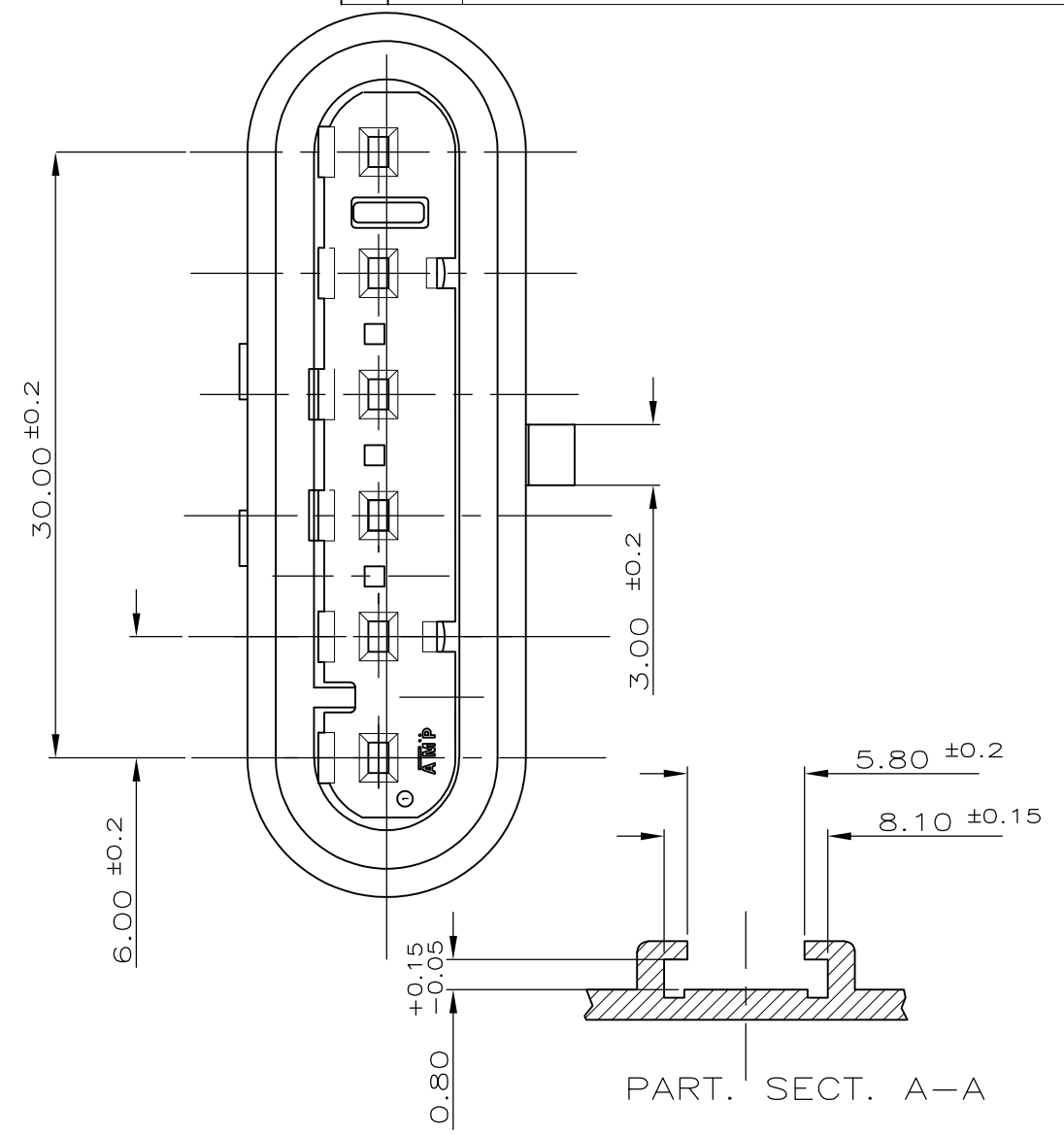
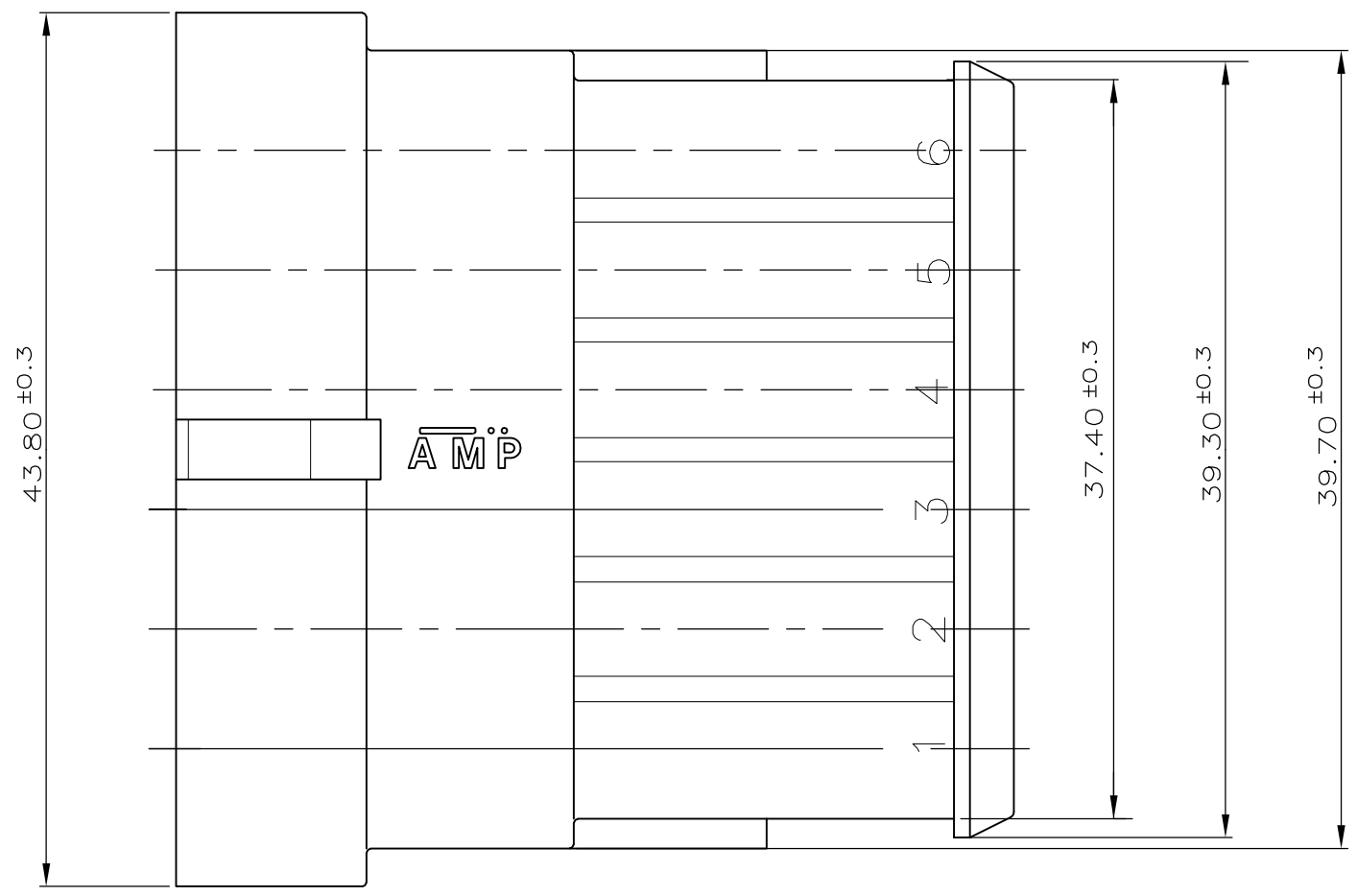
3

2

1

THIS DRAWING IS UNPUBLISHED. RELEASED FOR PUBLICATION
 © COPYRIGHT - By - ALL RIGHTS RESERVED.

LOC	DIST	REVISIONS			
P	LTR	DESCRIPTION	DATE	DWN	APVD
		C2	REVISED PER ECO-11-005033	13APR11	RK HMR



GREY	G.F. PA66	282108-2
BLACK	G.F. PA66	282108-1
FINITURA / COLORE (FINISH / COLOUR)	MATERIALE (MATERIAL)	NUMERO (PART NUMBER)
CUSTOMER DWG. FOR REFERENCE ONLY		DISEGNO PER CLIENTE SOLO PER RIFERIMENTO

THIS DRAWING IS A CONTROLLED DOCUMENT.

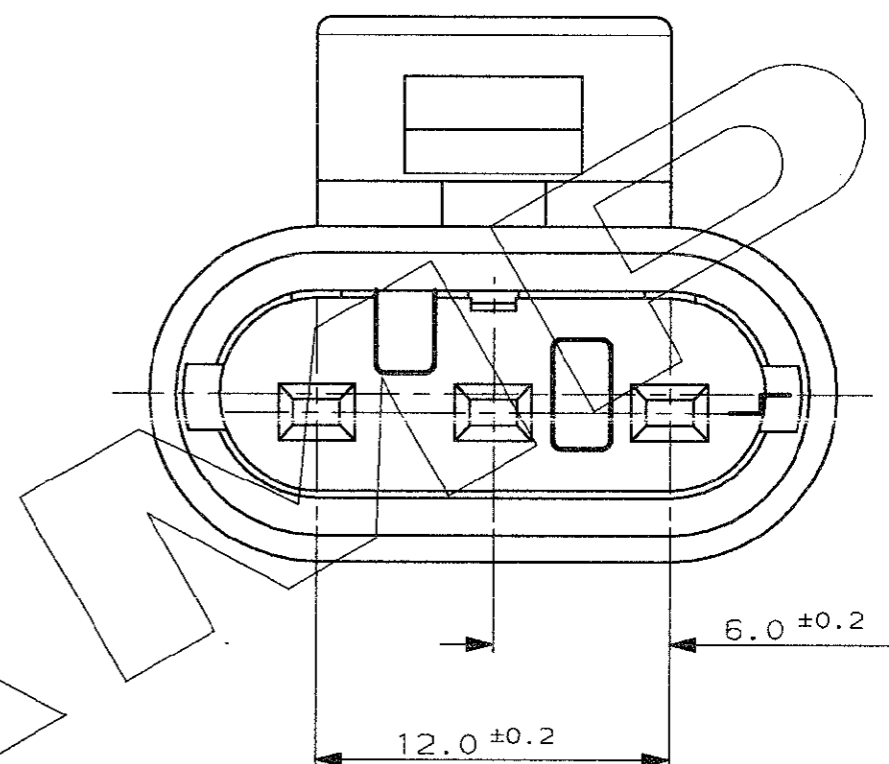
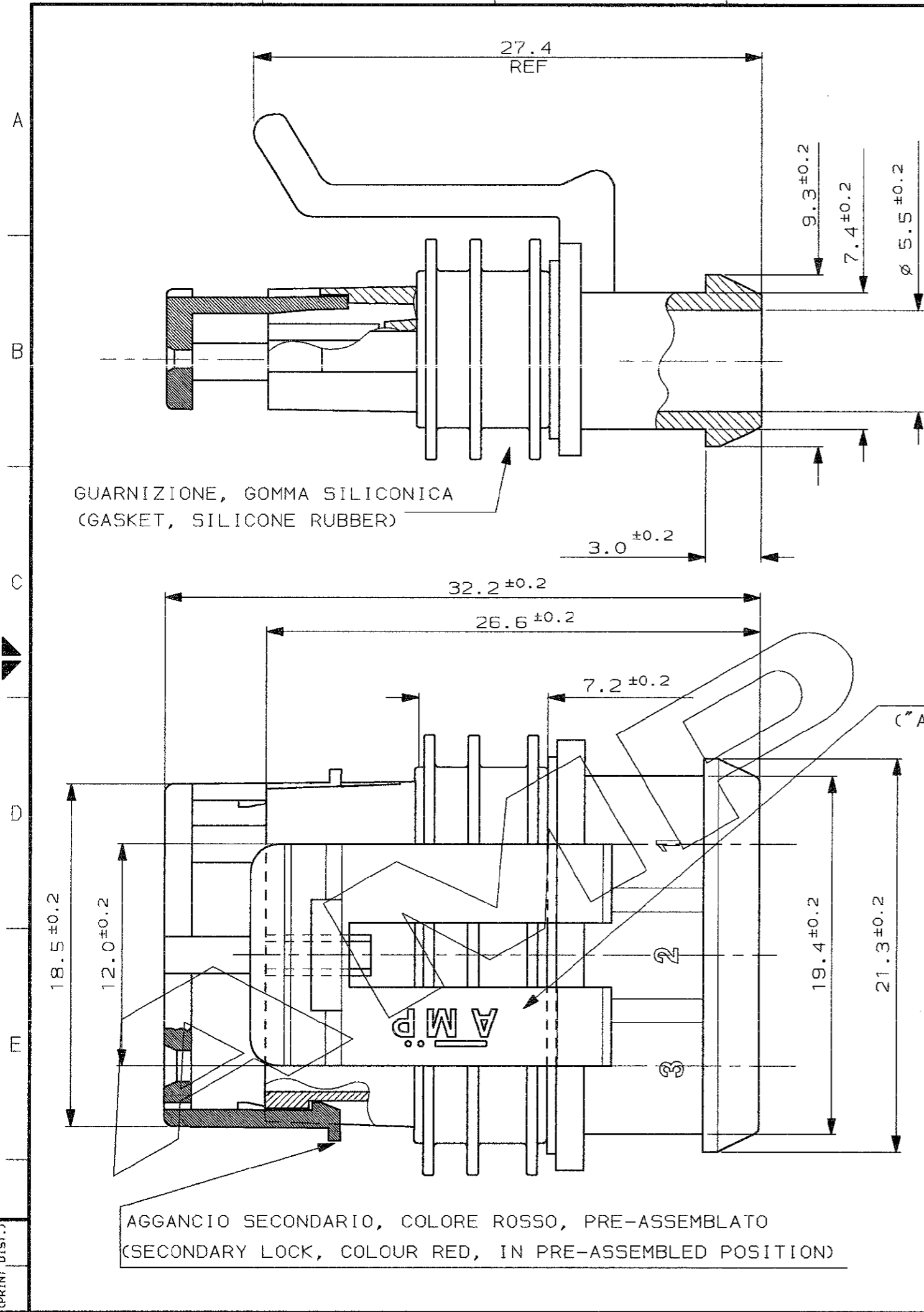
DIMENSIONS: mm	TOLERANCES UNLESS OTHERWISE SPECIFIED:
	0 PLC ± -
	1 PLC ± 0.3
	2 PLC ± -
	3 PLC ± -
	4 PLC ± -
	ANGLES ± 2°
MATERIAL	FINISH
-	-

DWN C.BERTINI	2-90	STE TE Connectivity
CHK A.BRUNI	1/10/92	
APVD -	NAME	6 POS TAB ASS'Y AMP SUPERSEAL 1.5 SERIES CONNECTORS
PRODUCT SPEC -	APPLICATION SPEC -	
WEIGHT -	SIZE A3	CAGE CODE 00779
CUSTOMER DRAWING	DRAWING NO C-282108	RESTRICTED TO -
SCALE -	SHEET 1 OF 1	REV C2

SCALA NON IMPEGNATIVA
(DO NOT SCALE)
DIMENSIONI IN mm
(DIMENSIONS IN mm)

METRIC

PROIEZIONE EUROPEA
(EUROPEAN PROJECTION)



1) PER RAPPRESENTAZIONE DIMA CONTROPARTE
VEDERE FOGLIO 2 DI 2.
(FOR COUNTERPART DETAIL SEE SHEET 2 OF 2)

LOGO "AMP"
("AMP" TRADE MARK)

GRIGIO (GREY)	PA 6.6 CAR. VETRO	282087-2
NERO (BLACK)	(PA 6.6 G.F.)	282087-1
FINITURA / COLORE (FINISH / COLOUR)	MATERIALE (MATERIAL)	NUMERO (PART NUMBER)

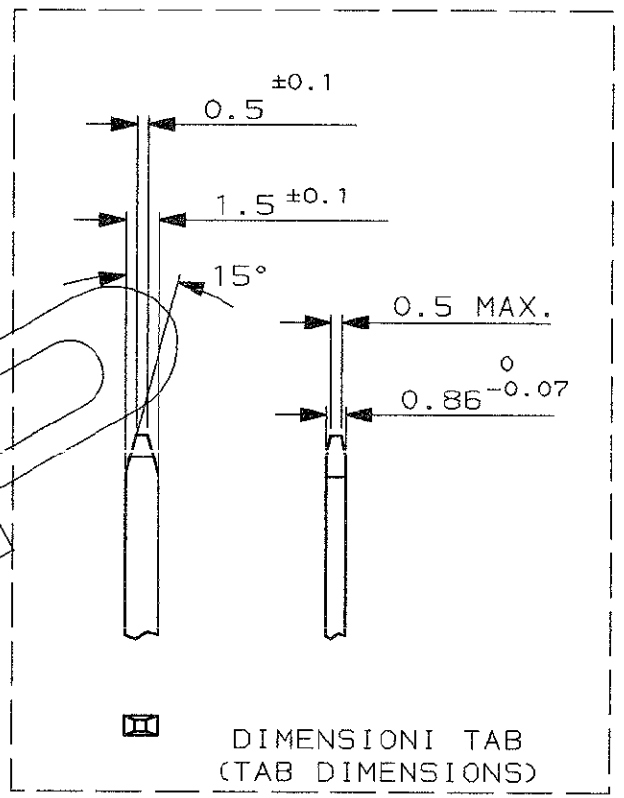
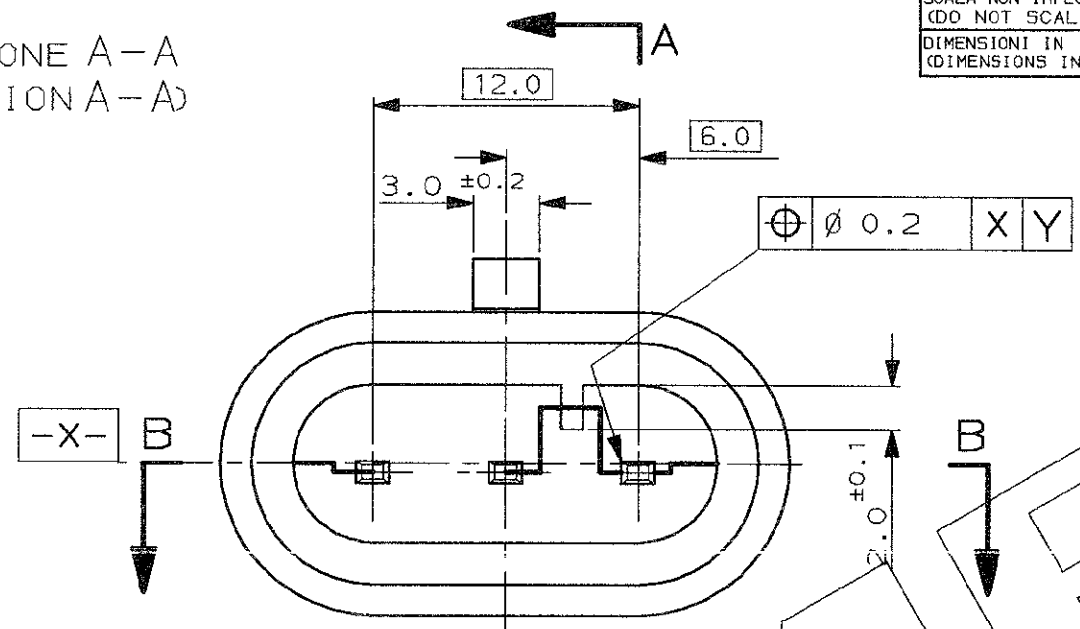
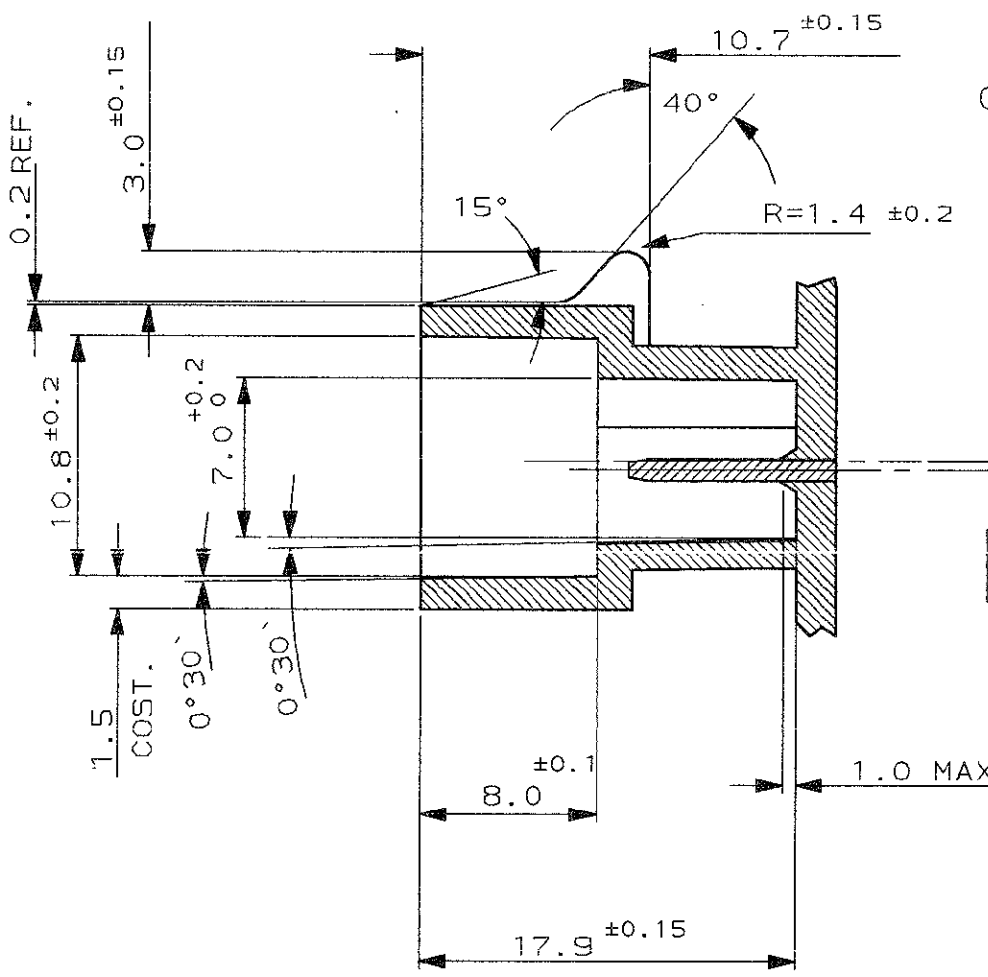
CUSTOMER DWG. FOR REFERENCE ONLY DISEGNO PER CLIENTE SOLO PER RIFERIMENTO

B3	REVISED PER ET00-0008-04	P.Z. 20-1	20-1
B2	REVISED FOR ET00-0211-99	M.G. 21-6	21-6
B1	REVISED FOR ET00-0072-98	M.P. 07-4	07-4
B	UPDATED ET00-0490-97	00-12	97
A1	UPDATED (ET00-0342-96)	C B 24-9	96
A	SEE SHEET 2 OF 2	C B 29-4	94
5	UPDATED	C B 12	92
4	ADDED PN ...-2	C B 8	92
3	UPDATED	C B 1	92
2	UPDATED	C B 7	90
REV.	REVISIONI (REVISION RECORD)	DIS. DATA (DR) (DATE)	APP. DATA (APP.) (DATE)

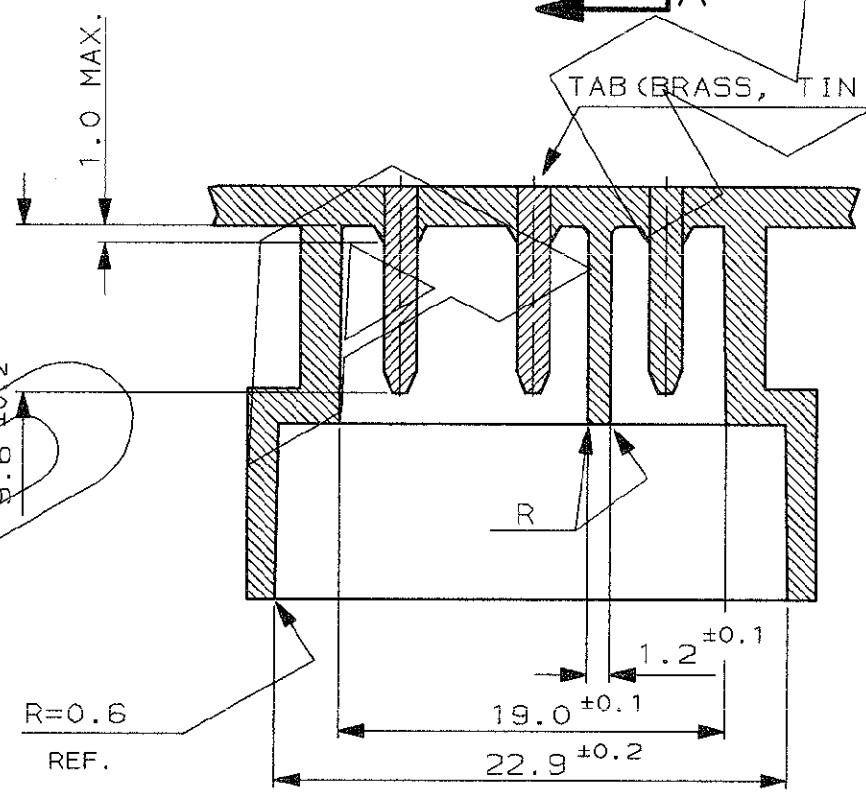
THIS DRAWING IS UNPUBLISHED		RELEASE FOR PUBLICATION	19
© COPYRIGHT 19 BY AMP INCORPORATED, HARRISBURG, PA. ALL INTERNATIONAL RIGHT RESERVED. AMP PRODUCTS MAY BE COVERED BY U.S. AND FOREIGN PATENT AND/OR PATENT PENDING			
TOLLERANZE, SE NON DIVERSAMENTE SPECIFICATO (TOLERANCES, UNLESS OTHERWISE SPECIFIED)	DIAM. ISOLANTE (INS. DIA. RANGE)	RANGO FILO (WIRE RANGE)	SCALA (SCALE)
± 0.3	-	-	-
ANGOLI (ANGLES)	AMP ITALIA S.p.A. Corso F.lli Cervi, 15 COLLENO (TORINO)		
± 2°	DESCRIZIONE (DESCRIPTION) 3 POS. PLUG ASS'Y		
DIS. (DR.)	AMP SUPERSEAL 1.5 SERIES CONN.		
CONT. (CHK)	LOC. SIZE	NUMERO (DWG NO)	REV. FOGLIO (SHEET)
APP. (APP.)	I A3	C-282087	B3 1 DI (OF) 2

DISTRIBUZIONE (PRINT DIST.)

SEZIONE A-A
 (SECTION A-A)



SEZIONE B-B
 (SECTION B-B)



RAPPRESENTAZIONE DIMA CONTROPARTE
 (COUNTERPART DETAIL AS SHOWN)

	PA 6.6 CAR. VETRO (PA 6.6 G.F.)	
FINITURA / COLORE (FINISH / COLOUR)	MATERIALE (MATERIAL)	NUMERO (PART NUMBER)
CUSTOMER DWG. FOR REFERENCE ONLY		DISEGNO PER CLIENTE SOLO PER RIFERIMENTO
-THIS DRAWING IS UNPUBLISHED-		RELEASE FOR PUBLICATION 19
© COPYRIGHT 19 BY AMP INCORPORATED, HARRISBURG, PA. ALL INTERNATIONAL RIGHT RESERVED. AMP PRODUCTS MAY BE COVERED BY U.S. AND FOREIGN PATENT AND/OR PATENT PENDING		
TOLLERANZE, SE NON DIVERSAMENTE SPECIFICATO (TOLERANCES, UNLESS OTHERWISE SPECIFIED)	DIAM. ISOLANTE (INS. DIA. RANGE)	RANGO FILO (WIRE RANGE)
± 0.3	-	-
ANGOLI (ANGLES)	SCALA (SCALE)	
± 2°	AMP AMP ITALIA S.p.A. Corso F.lli Cervi, 15 COLLENO (TORINO)	
DIS. (DR.)	5-92	DESCRIZIONE (DESCRIPTION)
C.BERTINI		3 POS.PLUG ASS'Y AMP SUPERSEAL 1.5 SERIES CONN.
CONT. (CHK)		LOC. SIZE NUMERO (APP. DWG NO)
		I A3 C-282087
REV. (REV. LTR.)	REVISIONI (REVISION RECORD)	DIS. DATA (DR) (DATE)
		APP. (APP.)
		A.BRUNI 5-92
		REV. B3
		Foglio (Sheet) 2

DISTRIBUZIONE (PRINT DIST.)

4

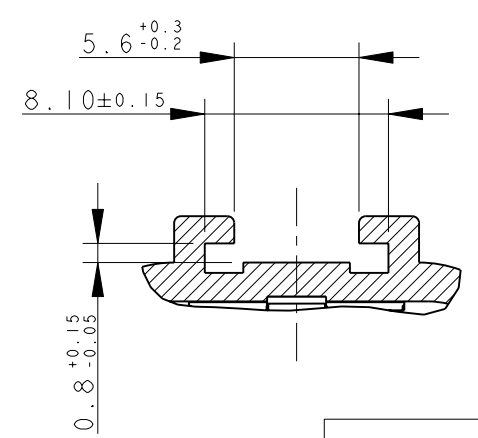
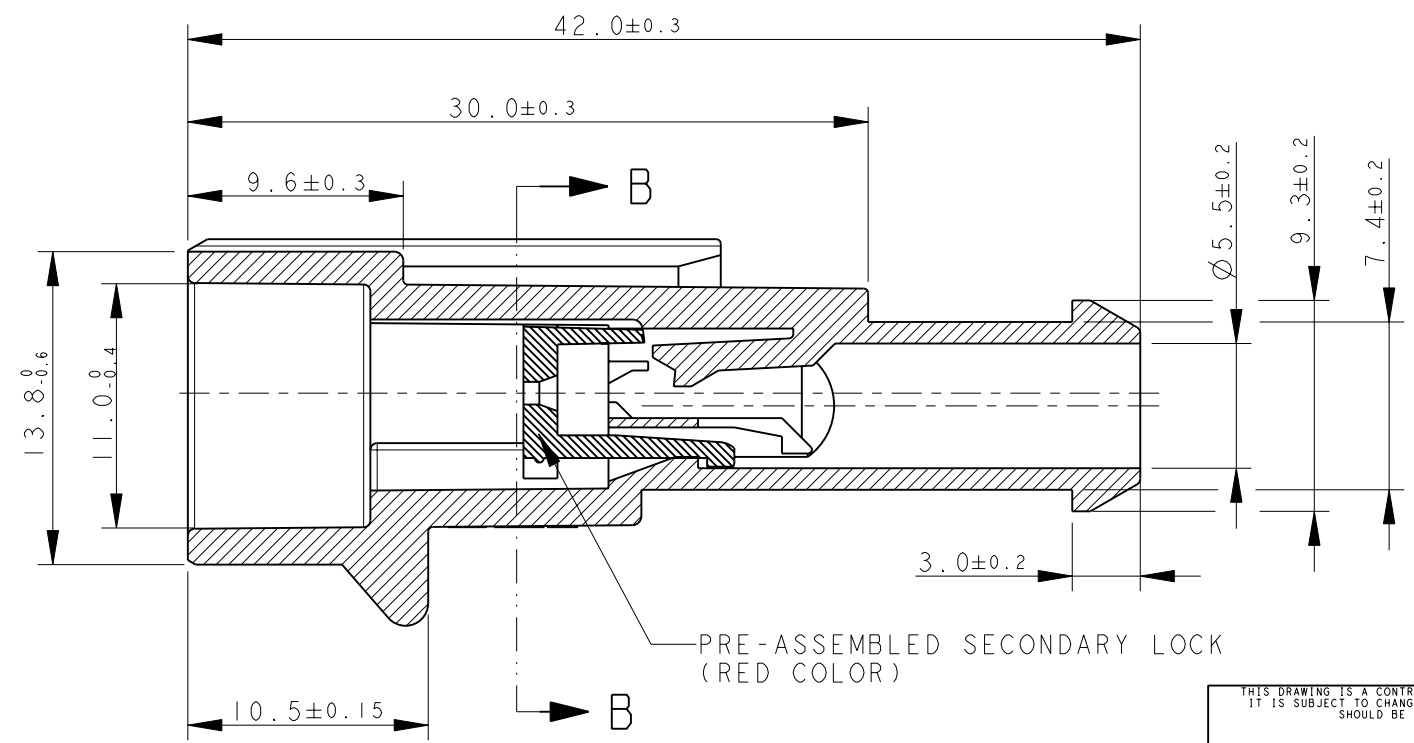
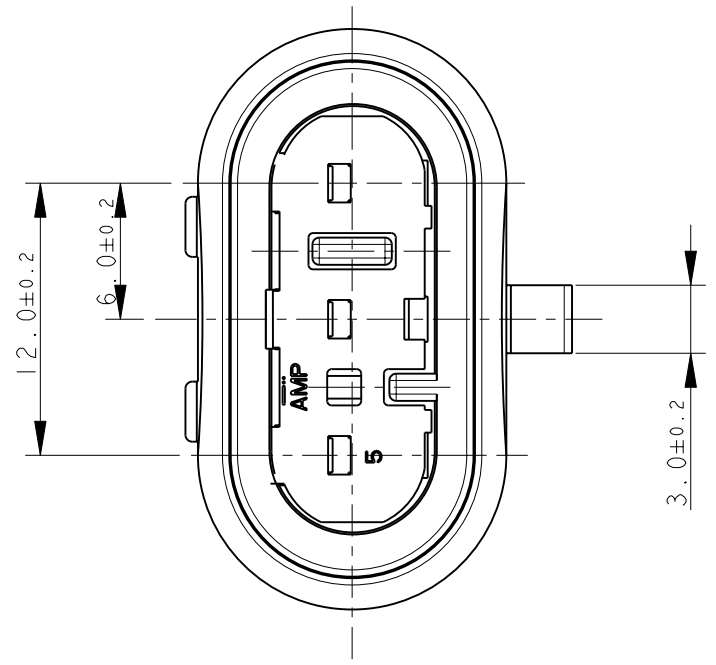
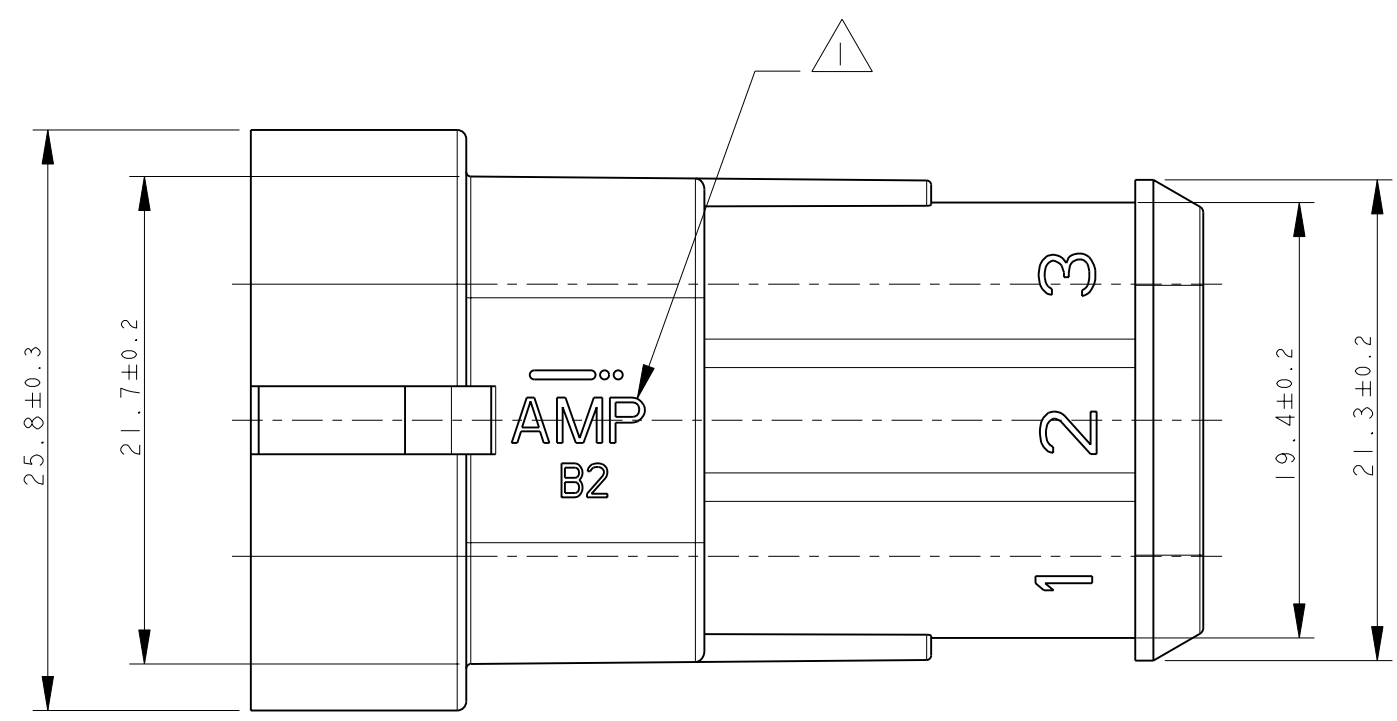
3

2

1

THIS DRAWING IS UNPUBLISHED. RELEASED FOR PUBLICATION 2009
 © COPYRIGHT 2009 BY TYCO ELECTRONICS CORPORATION. ALL INTERNATIONAL RIGHTS RESERVED.

LOC	DIST	REVISIONS					
		P	LTR	DESCRIPTION	DATE	DWN	APVD
1	-	B		REDRAWN (ECR-10-004138)	02MAR2010	M.G.	M.G.



PART SECTION B-B

FINISH/COLOR	MATERIAL	PART NUMBER
GRAY	PA66-GF	282105-2
BLACK	PA66-GF	282105-1

LOGO "AMP" O, IN ALTERNATIVA, LOGO TYCO ELECTRONICS ("AMP" TRADE MARK OR, IN ALTERNATIVE, TYCO ELECTRONICS TRADE MARK)

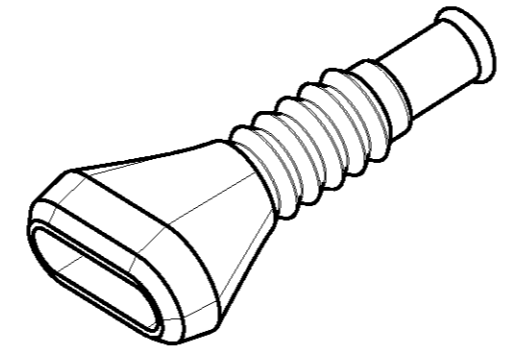
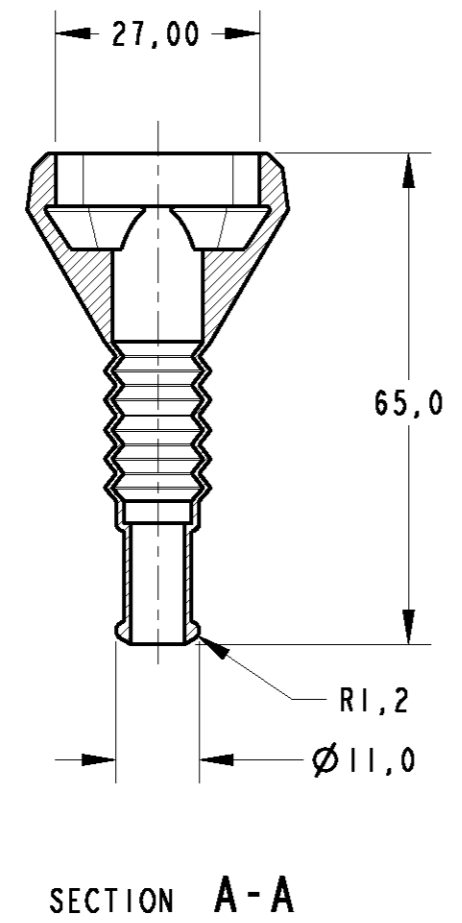
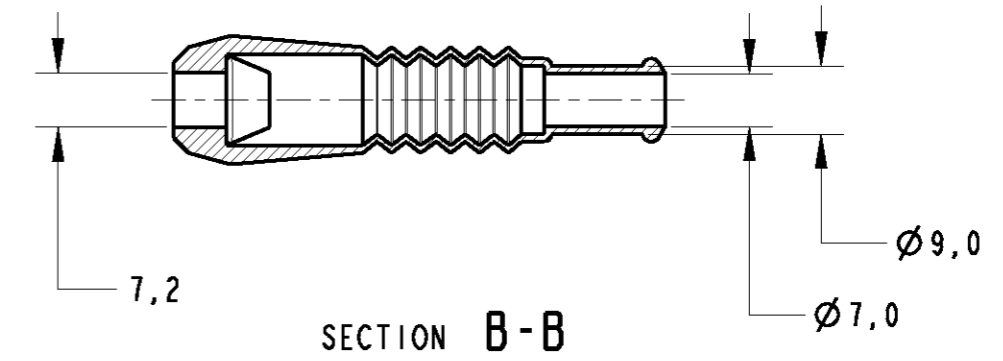
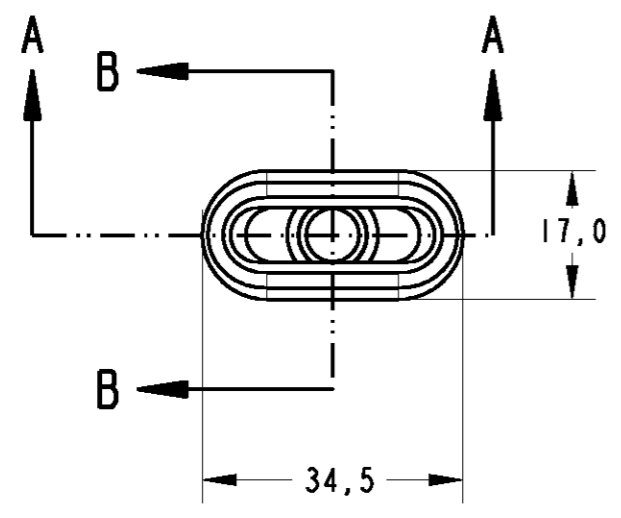
THIS DRAWING IS A CONTROLLED DOCUMENT FOR TYCO ELECTRONICS CORPORATION IT IS SUBJECT TO CHANGE AND THE CONTROLLING ENGINEERING ORGANIZATION SHOULD BE CONTACTED FOR THE LATEST REVISION.

DWN	C. BERTINI	02-1990	Tyco Electronics Tyco Electronics AMP Italia S.r.l. Corso F.lli Cervi,15 - Collegno (TO)
CHK	A. BRUNI	02-1990	
APVD	-	-	
PRODUCT SPEC			NAME
108-20090			AMP SUPERSEAL 1.5 SRS. 3 POSITIONS TAB ASS'Y
APPLICATION SPEC			SIZE
-			A300779
WEIGHT			CAGE CODE
-			G-282105
CUSTOMER DRAWING			RESTRICTED TO
-			-
SCALE			SHEET
3:1			1 OF 1
REV			B

THIS DRAWING IS UNPUBLISHED. RELEASED FOR PUBLICATION .19 .
 © COPYRIGHT 19 BY AMP INCORPORATED. ALL RIGHTS RESERVED.

LOC	DIST	REVISIONS			
P	LTR	DESCRIPTION	DATE	DWN	APVD
AP	-	0	WAS 98-29092-001	-	AP PLF
		A	REVISED BY ECR-05-008986	29AUG2005	DCB PLF

CAD
 DO NOT REVISE
 EXCEPT BY CAD



PERSPECTIVE VIEW

- Ⓐ 1 - ELASTÔMERO SAE J 200 M 2BC 514, A14, B14, C12, E014, F17
 - ELASTOMER SAE J 200 M 2BC 521, A14, B14, C12, E014, F17
- Ⓐ 2 - TOLERÂNCIA PARA REBARBAS / FLASH TOLERANCE:
 COMPRIMENTO EXTERNO / OUTSIDE HEIGHT - 0,4mm MAX.
 COMPRIMENTO INTERNO / INSIDE HEIGHT - 0,05mm MAX.
- Ⓐ 3 - USADO NO CONECTOR 282106-1, OU SIMILAR
 - USED ON CONNECTOR 282106-1, OR SIMILAR

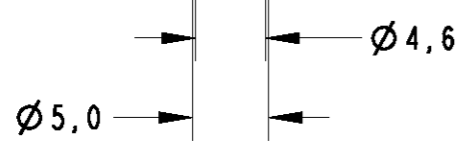
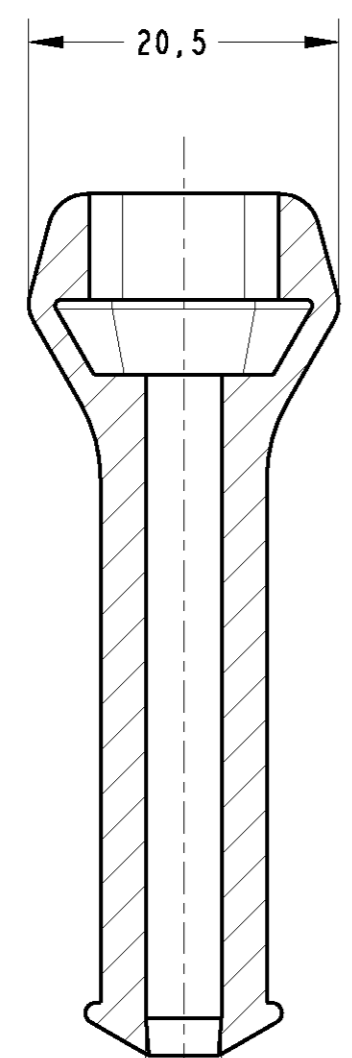
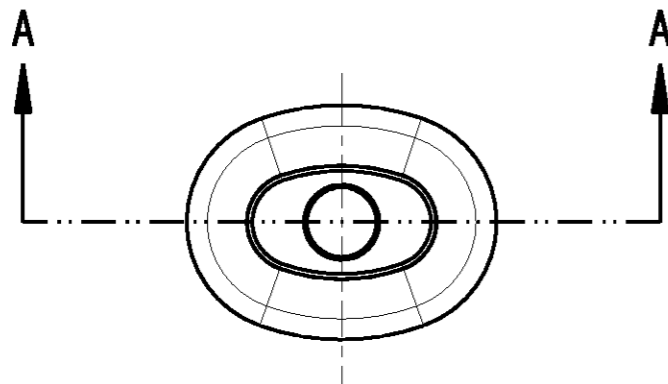
—	PRETO/BLACK	Ⓐ	493581-1
RAW MAT'L NO.	FINISH	MATERIAL	PART NUMBER

THIS DRAWING IS A CONTROLLED DOCUMENT FOR AMP INCORPORATED. IT IS SUBJECT TO CHANGE AND THE CONTROLLING ENGINEERING ORGANIZATION SHOULD BE CONTACTED FOR THE LATEST REVISION.		DWN A. PERUSSI 03SEP98	AMP AMP do BRASIL LTDA. São Paulo, Brasil	
DIMENSIONS: mm		CHK P.L.FARIA	NAME	
TOLERANCES UNLESS OTHERWISE SPECIFIED: 0 PLC ±0,5 1 PLC ± 2 PLC ± 3 PLC ± 4 PLC ± ANGLES ±1°		APVD J.M.M.NETO	PRODUCT SPEC	
MATERIAL SEE TABLE		FINISH SEE TABLE	APPLICATION SPEC	
		WEIGHT -	SIZE A3	CAGE CODE 00779
			DRAWING NO. 493581	
			RESTRICTED TO	
		CUSTOMER DRAWING		SCALE OF REV A

THIS DRAWING IS UNPUBLISHED. RELEASED FOR PUBLICATION

© COPYRIGHT 19 BY TYCO ELECTRONICS CORPORATION. ALL RIGHTS RESERVED.

LOC	DIST	REVISIONS					
		P	LTR	DESCRIPTION	DATE	DWN	APVD
AP	-		0	RELEASE	10JUN99	MLO	PLF
			AI	REVISED BY EC 237/99	30JUN99	PLF	MLO
			B	REVISED BY ECR-05-008964	15AUG2005	MAS	PLF



SECTION A-A

ⓑ $\triangle 1$ - ELASTÔMERO SAE J200, 2BC 414, A14, B14, C12, E014, F17, Z1
Z1=RESISTÊNCIA RASGO, ASTM D624 - 20kg/cm MIN.

ⓑ $\triangle 2$ - ELASTÔMERO SAE J200, 2BC 514, A14, B14, C12, E014, F17, Z1
Z1=RESISTÊNCIA RASGO, ASTM D624 - 20kg/cm MIN.

$\triangle 1$ -ELASTOMER SAE J200, 2BC 414, A14, B14, C12, E014, F17, Z1
Z1= TEAR RESISTANCE, ASTM D624 -20kg/cm MIN.

$\triangle 2$ -ELASTOMER SAE J200, 2BC 514, A14, B14, C12, E014, F17, Z1
Z1= TEAR RESISTANCE, ASTM D624 -20kg/cm MIN.

FINISH	HARDNESS	MATERIAL	PART NUMBER
PRETO/BLACK	40±5 SHORE A	ELASTOMER $\triangle 1$	880810-2
PRETO/BLACK	50±5 SHORE A	ELASTOMER $\triangle 2$	880810-1

<small>THIS DRAWING IS A CONTROLLED DOCUMENT FOR TYCO ELECTRONICS CORPORATION. IT IS SUBJECT TO CHANGE AND THE CONTROLLING ENGINEERING ORGANIZATION SHOULD BE CONTACTED FOR THE LATEST REVISION.</small>		DWN M.L. OGAWA 09JUN99 CHK P.L. FARIA 10JUN99 APVD J.M.M. NETO 10JUN99	AMP AMP do Brasil LTDA. São Paulo, Brasil
DIMENSIONS: mm	TOLERANCES UNLESS OTHERWISE SPECIFIED: 0 PLC ±0.3 1 PLC ±0.3 2 PLC ±0.3 3 PLC ±0.3 4 PLC ±0.3 ANGLES ±P	NAME COVER CAP 2 POSN PRODUCT SPEC - APPLICATION SPEC - WEIGHT -	SIZE A3 CAGE CODE 00779 DRAWING NO C=880810 RESTRICTED TO -
MATERIAL SEE TABLE	FINISH SEE TABLE	CUSTOMER DRAWING SCALE 2:1 SHEET 1 OF 1 REV B	



THIS DRAWING IS UNPUBLISHED.

RELEASED FOR PUBLICATION

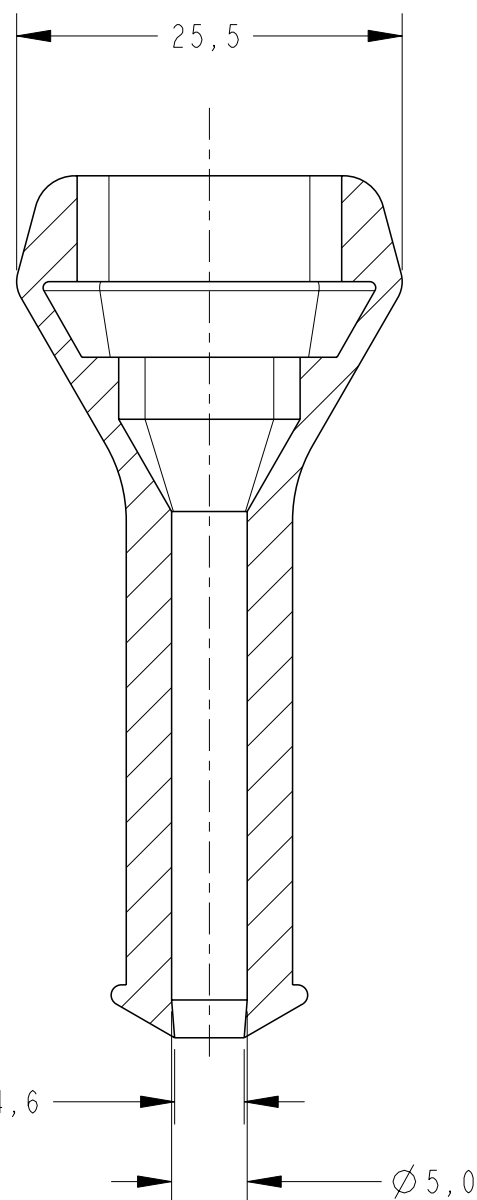
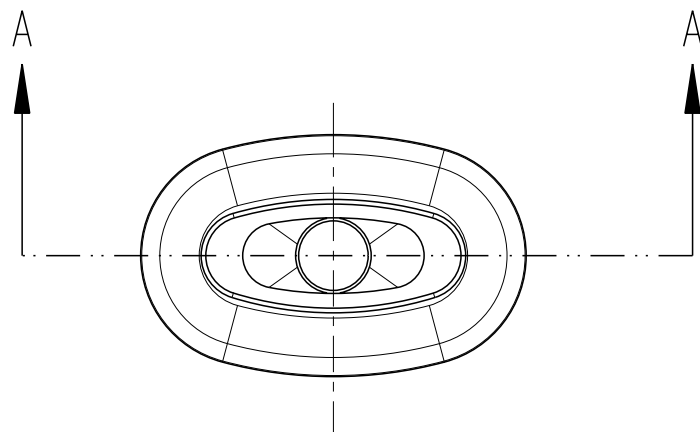
© COPYRIGHT 19

ALL RIGHTS RESERVED.

LOC AP DIST -

REVISIONS

P	LTR	DESCRIPTION	DATE	DWN	APVD
	C	REVISED BY ECO-07-018018	04SEP2007	RKTL	LWP
	D	CHANGED STATUS ECO-11-009754	22JUN2011	MAS	MG



SECTION A-A

- ⓑ $\triangle 1$ - ELASTÔMERO SAE J200, 2BC 414, A14, B14, C12, E014, F17, Z1
Z1=RESISTÊNCIA RASGO, ASTM D624 - 20kg/cm MIN.
- ⓑ $\triangle 2$ - ELASTÔMERO SAE J200, 2BC 514, A14, B14, C12, E014, F17, Z1
Z1=RESISTÊNCIA RASGO, ASTM D624 - 20kg/cm MIN.
- ⓒ $\triangle 3$ - ELASTOMERO SAE J 200M, 2GE, 405, A19, B37, EA14, E016, E036, F19, G11, Z1 Z1 = EXTERNAMENTE LUBRIFICADO 2%

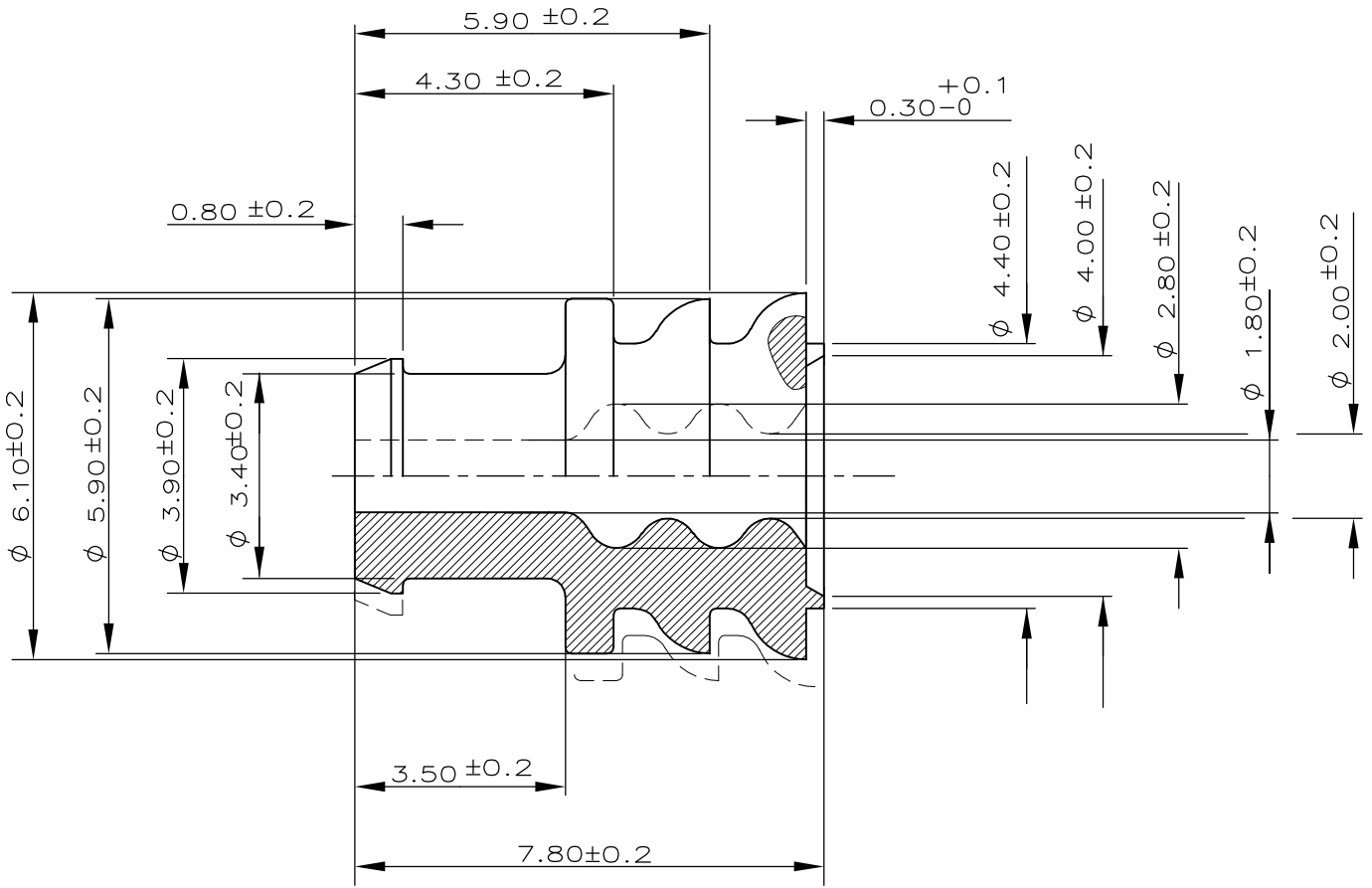
- $\triangle 1$ - ELASTOMER SAE J200, 2BC 414, A14, B14, C12, E014, F17, Z1
Z1= TEAR RESISTANCE, ASTM D624 -20kg/cm MIN.
- $\triangle 2$ - ELASTOMER SAE J200, 2BC 514, A14, B14, C12, E014, F17, Z1
Z1= TEAR RESISTANCE, ASTM D624 -20kg/cm MIN.
- $\triangle 3$ - ELASTOMER SAE J 200M, 2GE, 405, A19, B37, EA14, E016, E036, F19, G11, Z1 Z1 = 2% LUBRIFICATED EXTERNALY

ⓐ	PRETO/BLACK	40±5 SHORE A	SILICON $\triangle 3$	880811-3
	PRETO/BLACK	40±5 SHORE A	ELASTOMER $\triangle 1$	880811-2
ⓑ	PRETO/BLACK	50±5 SHORE A	ELASTOMER $\triangle 2$	880811-1
	FINISH	HARDNESS	MATERIAL	PART NUMBER



THIS DRAWING IS A CONTROLLED DOCUMENT.		DWN M.L. OGAWA 10JUN99	STE TE Connectivity	
DIMENSIONS: mm		CHK P.L.FARIA 10JUN99		
TOLERANCES UNLESS OTHERWISE SPECIFIED:		APVD J.M.M. NETO 10JUN99	NAME COVER CAP 3 POSN	
0 PLC ±-		PRODUCT SPEC -	-	
1 PLC ±0,3		APPLICATION SPEC -	-	
2 PLC ±-		WEIGHT -	SIZE A3	CAGE CODE 00779
3 PLC ±-		CUSTOMER DRAWING	DRAWING NO C-880811	RESTRICTED TO -
4 PLC ±-			SCALE 2:1	SHEET 1 OF 1
ANGLES ±°				REV D
FINISH SEE TABLE				

LOC	DIST	REVISIONS					
I	—	P	LTR	DESCRIPTION	DATE	DWN	APVD
			H1	REVISED PER ECO-11-005033	02APR11	RK	HMR



RELEASED FOR PUBLICATION

ALL RIGHTS RESERVED.

THIS DRAWING IS UNPUBLISHED.

By -
COPYRIGHT -

METRIC

DIAM. ISOLANTE
(INS. DIA. RANGE)
2.5-3.3mm

RANGO FILO
(WIRE RANGE)

ROSSO-RED

GOMMA AL SILICONE
SILICONE RUBBER

281934-3

FINITURA / COLORE
(FINISH / COLOUR)

MATERIALE
(MATERIAL)

NUMERO
(PART NUMBER)

CUSTOMER DWG.
FOR REFERENCE ONLY

DISEGNO PER CLIENTE
SOLO PER RIFERIMENTO

DIMENSIONS:
mm

DWN C.BERTINI 10-89

MATERIAL -

FINISH -

CHK A.BRUNI 10-89

APVD -

PRODUCT SPEC -

APPLICATION SPEC -

WEIGHT -



NAME WIRE SEAL

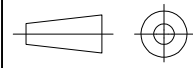
SIZE A4 CAGE CODE 00779 DRAWING NO C-281934

RESTRICTED TO -

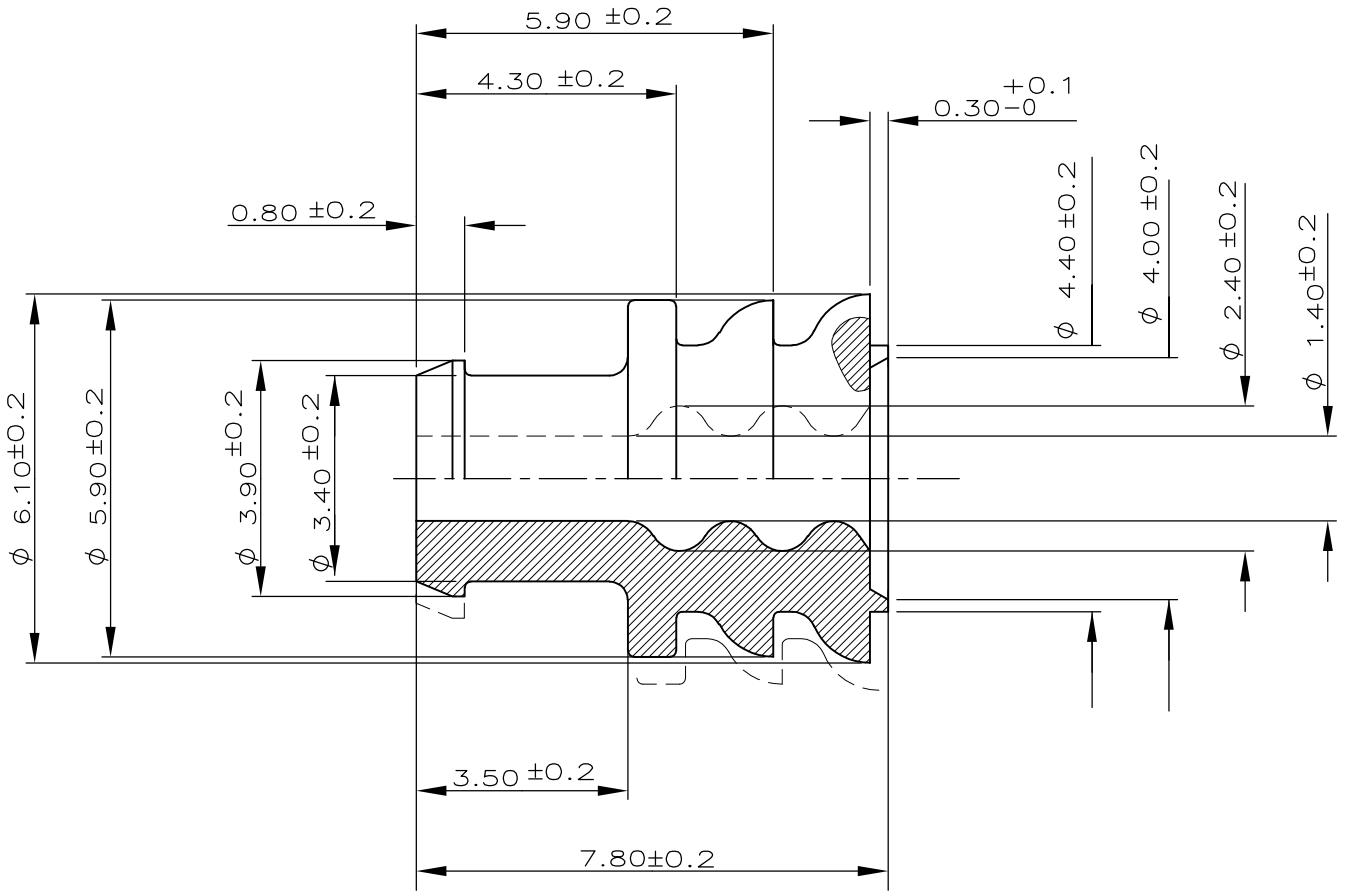
CUSTOMER DRAWING

SCALE - SHEET 1 OF 3 REV H1

- 0 PLC ± -
- 1 PLC ± 0.3
- 2 PLC ± -
- 3 PLC ± -
- 4 PLC ± -
- ANGLES ± 2°



LOC I	DIST —	REVISIONS			
P	LTR	DESCRIPTION	DATE	DWN	APVD
	—	SEE SHEET 1	—	—	—



RELEASED FOR PUBLICATION

ALL RIGHTS RESERVED.

THIS DRAWING IS UNPUBLISHED.

By —
COPYRIGHT —

METRIC

DIAM. ISOLANTE
(INS. DIA. RANGE)
1.7–2.4mm

RANGO FILO
(WIRE RANGE)

GIALLO—YELLOW

GOMMA AL SILICONE
SILICONE RUBBER

281934–2

FINITURA / COLORE
(FINISH / COLOUR)

MATERIALE
(MATERIAL)

NUMERO
(PART NUMBER)

CUSTOMER DWG.
FOR REFERENCE ONLY

DISEGNO PER CLIENTE
SOLO PER RIFERIMENTO

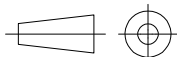
DIMENSIONS:

mm

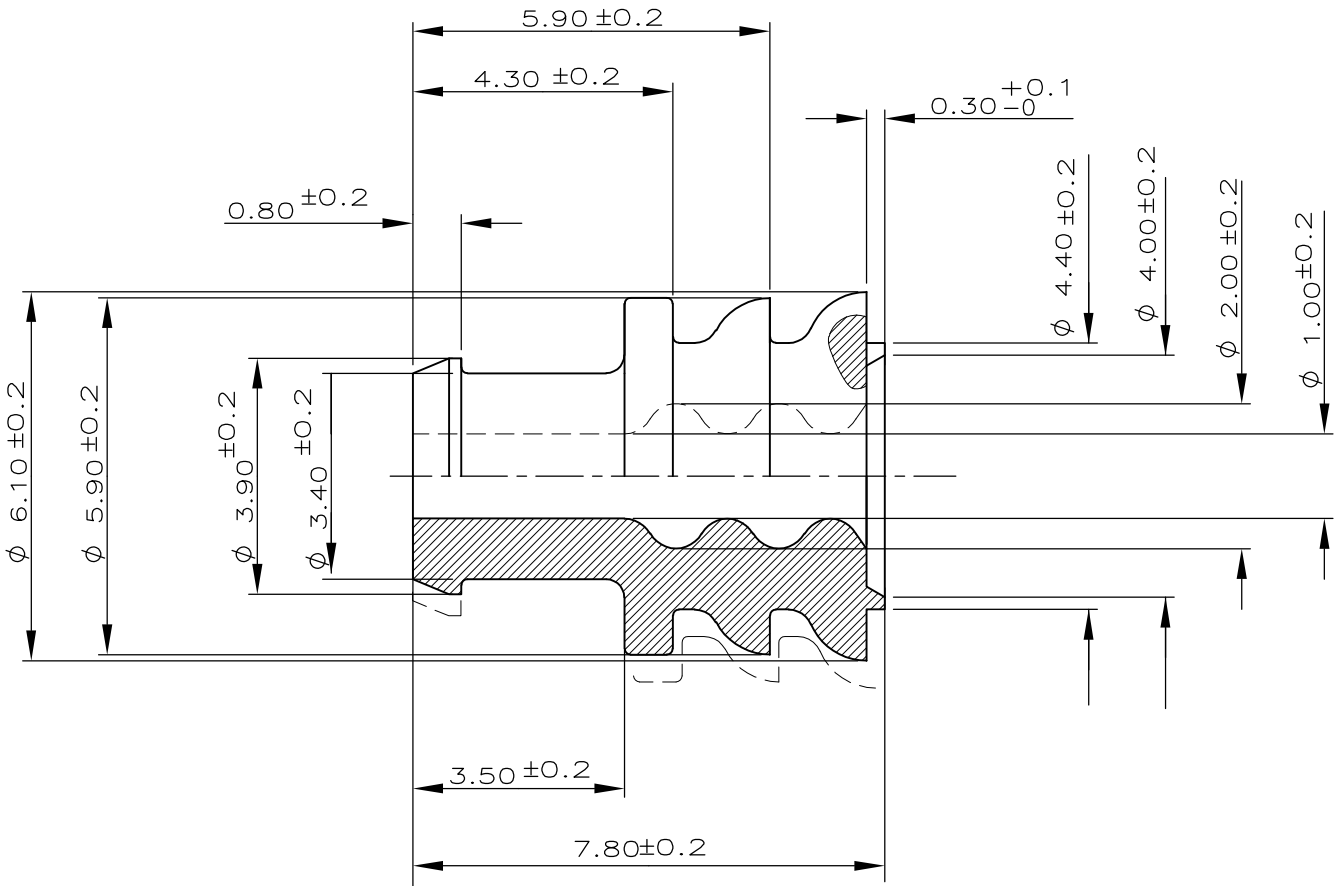
TOLERANCES UNLESS
OTHERWISE SPECIFIED:

- 0 PLC ± —
- 1 PLC ± 0.3
- 2 PLC ± —
- 3 PLC ± —
- 4 PLC ± —
- ANGLES ± 2°

DWN —	MATERIAL —	FINISH —			
CHK —					
APVD —					
PRODUCT SPEC —	NAME WIRE SEAL				
APPLICATION SPEC —	SIZE A4	CAGE CODE 00779	DRAWING NO C-281934	RESTRICTED TO —	
WEIGHT —	CUSTOMER DRAWING		SCALE —	SHEET 2 OF 3	REV H1



LOC	DIST	REVISIONS					
I	—	P	LTR	DESCRIPTION	DATE	DWN	APVD
				SEE SHEET 1	—	—	—



RELEASED FOR PUBLICATION

ALL RIGHTS RESERVED.

THIS DRAWING IS UNPUBLISHED.

By —
COPYRIGHT —


METRIC

DIAM. ISOLANTE
(INS. DIA. RANGE)
1.2–1.6mm

RANGO FILO
(WIRE RANGE)

VERDE-GREEN	GOMMA AL SILICONE SILICONE RUBBER	281934-4
FINITURA / COLORE (FINISH / COLOUR)	MATERIALE (MATERIAL)	NUMERO (PART NUMBER)

CUSTOMER DWG. FOR REFERENCE ONLY	DISEGNO PER CLIENTE SOLO PER RIFERIMENTO
-------------------------------------	---

DIMENSIONS: mm	DWN	—	MATERIAL	—	FINISH	—
	CHK	—	 TE Connectivity			
TOLERANCES UNLESS OTHERWISE SPECIFIED:	APVD	—				
0 PLC ± — 1 PLC ± 0.3 2 PLC ± — 3 PLC ± — 4 PLC ± — ANGLES ± 2°	PRODUCT SPEC	—	NAME WIRE SEAL			
	APPLICATION SPEC	—	SIZE	CAGE CODE	DRAWING NO	RESTRICTED TO
WEIGHT	—	A4	00779	C-281934	—	—
CUSTOMER DRAWING			SCALE	—	SHEET	3 OF 3
					REV	H1