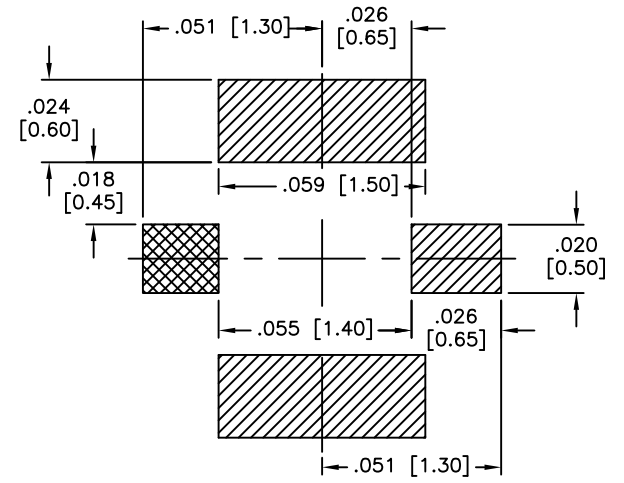
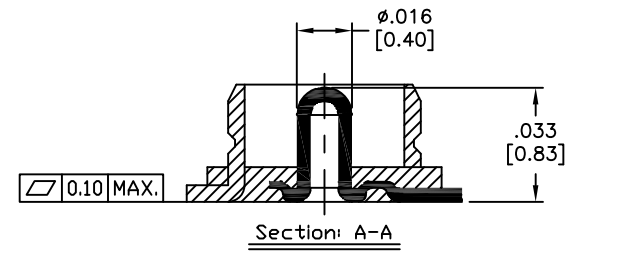
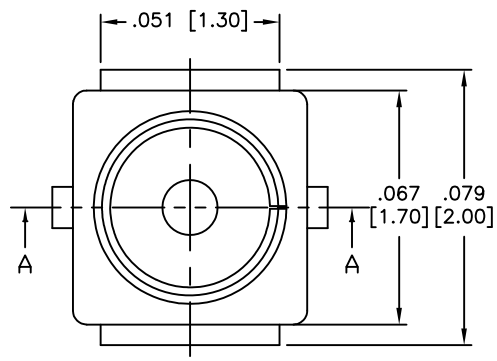
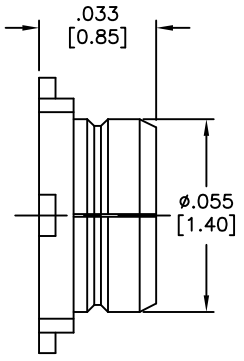
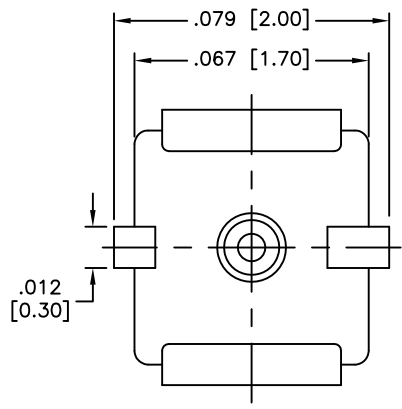


Rev	AWO #	Description	Date	Appr
-		RELEASED	10/3/13	

APPROVED: _____
DATE: _____ TITLE: _____



Contact Pad Shell Pad
Recommended PCB Layout

SPECIFICATIONS:
Material:
Insulator: Hi-temp thermoplastic, rated UL 94V-0
Insulator color: Ivory
Shell: Copper Alloy, Gold plated.
Contacts: Copper Alloy, Gold plated.
Electrical:
Frequency Range : DC up to 6GHz
Characteristic Impedance : 50 ohm
Rated Voltage : AC 60V
Contact Resistance : 20m ohm MAX.(Signal)
10m ohm Max. (Ground)
Withstand Voltage : AC 200V
Insulation Resistance : 500M ohm Min. / DC 100V
Contact Retention Force : 0.2 N Min.
Low Profile : 1.5mm Max. Mating Height.
Temperature Rating:
Operating temperature: -40°C to +90°C
Environmental:
Lead free, RoHS compliant.



PACKAGED ON TAPE & REEL

UNLESS OTHERWISE SPECIFIED ALL DIMENSIONS ARE INCHES [MM] TOLERANCES: EXCEPT AS NOTED			TITLE RF CONNECTOR, TYPE MHF, 50 OHMS VERTICAL		
INCHES HOLES					
.X ± .10	∅.X ± .10		APPROVALS	DATE	
.XX ± .020	∅.XX ± .015		DRAWN	AY	10/3/13
.XXX ± .015	∅.XXX ± .010		CHECKED	GC	10/3/13
			APPROVED		
SIZE X	PART NO. RF20-02U-L	REV. -	REF: S00142T	SCALE: NTS	SHEET 1 OF 1