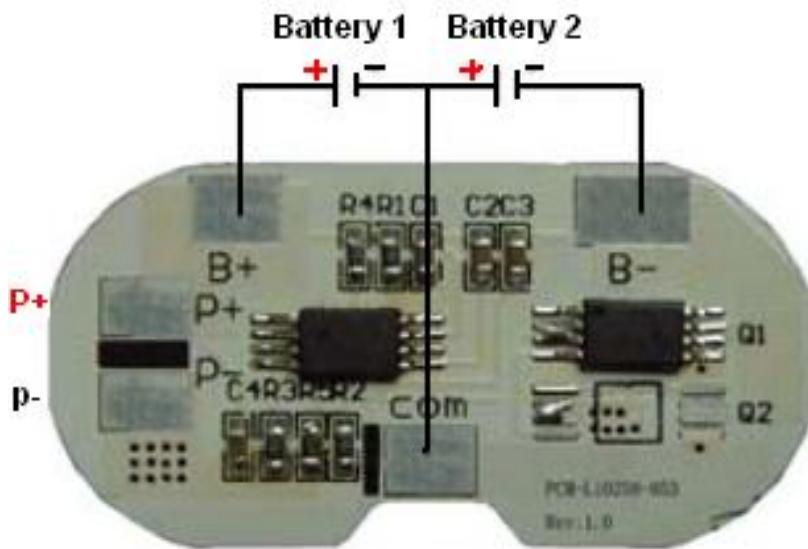


Protection Circuit Module Specifications For 7.4V Li-ion Battery Pack

Model: PCM-Li02s8-053 (2S)

No.	Test item (Ta=25°C)		Criterion
1	Voltage	Charging voltage	DC:8.4V CC/CV
2	Current	Current consumption	≤ 20 μ A
		Maximal continuous Discharging current	3A (1 MOSFET)
3	Over charge Protection	Over charge detection voltage	4.35 V ±25 mV
		Over charge detection delay time	0.73S—1.35S
		Over charge release voltage	4.15 V ±50 mV
4	Over discharge protection	Over discharge detection voltage	2.30 V ±80 mV
		Over discharge detection delay time	68—138mS
		Over discharge release voltage	3.00 V ±100 mV
5	Over current protection	Over current detection voltage	0.300 V ±20 mV
		Over current detection current	8.5±1A
		Detection delay time	6.7ms—13.9ms
		Release condition	Automatic Recovery
6	Short protection	Detection condition	Exterior short circuit
		Detection delay time	200-500us
		Release condition	Automatic Recovery
7	Resistance	Protection circuitry	≤ 50m Ω
8	Temperature	Operating Temperature Range	-40~+85°C
		Storage Temperature Range	-40~+125°C



P+= Charge/Discharge + P-= Charge/Discharge -