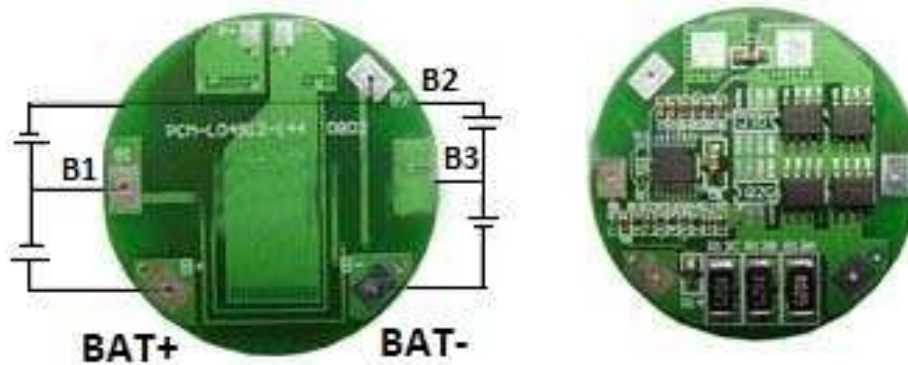


PCM-L04S12-144b (4S)



Protection Circuit Module Specifications For 14.8V Li-ion/Li-polymer Battery Pack			
Model: PCM-L04S12-144 (4S)			
No	Test item		Criterion
			Li-ion/Li-polymer
1	Voltage	Charging voltage	DC:16.8V CC/CV (4.2V/cell)
		Balance voltage for single cell
2	Current	Balance current for single cell
		Current consumption for single cell	≤50μA
		Max. continuous charging current	10A
		Max. cont. discharging current	10A
3	Over charge protection (single cell)	Over charge detection voltage	4.35±0.025V
		Over charge detection delay time	0.5S—2.0S
		Over charge release voltage	4.15±0.05V
4	Over discharge protection (single cell)	Over discharge detection voltage	2.70±0.08V
		Over discharge detection delay time	10-1000mS
		Over discharge release voltage	3.0±0.1V
5	Over current protection	Over current detection voltage	depend on the above points
		Over current detection current	25±3A
		Detection delay time	5-20ms
		Release condition	Cut load, Auto release
6	Short protection	Detection condition	Exterior short circuit
		Detection delay time	100~500us
		Release condition	charge up
7	Resistance	Protection circuitry	≤50mΩ
8	Temperature	Operating Temperature Range	-40~+85℃
		Storage Temperature Range	-40~+125℃
9	Dimension	L40*W40*T3mm	