

**15W Single Output
Switching Power Supply**



GS-15...

Feature

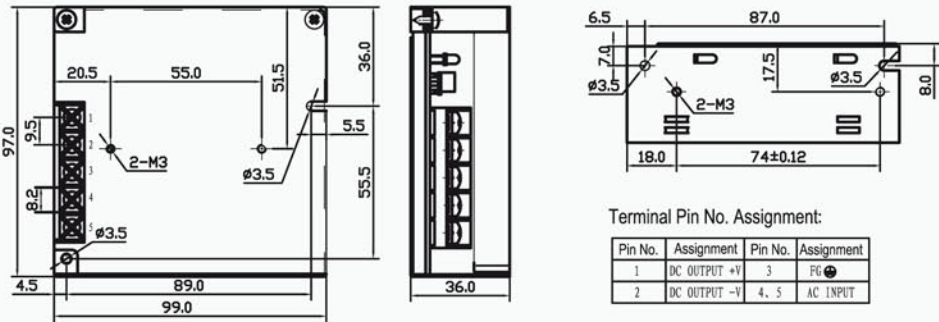
- High efficiency, high reliability, lost cost
- AC input range selected by switch
- 100% full load burn-in test
- Protections: Short circuit / Over load
- Cooling by free air convection
- Fixed switching frequency at 37KHz
- 1 year warranty
- Dimensions: 99*97*36mm(L*W*H)

Notes:

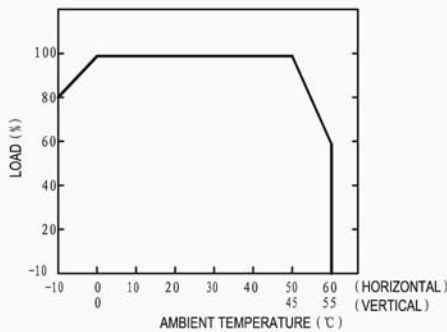
- All parameters NOT specially mentioned are measured at 230VAC input, rated load and 25°C of ambient temperature.
- Ripple & noise are measured at 20MHz of bandwidth by using a 12" twisted pair wire terminated with a 0.1µf & 47µf parallel capacitor.
- Tolerance: includes set up tolerance, line regulation and load regulation

Model	GS-15-5	GS-15-12	GS-15-24	
Output	DC Voltage	5V	12V	24V
	Voltage Tolerance	±2%	±1%	±1%
	Rated Current	3A	1.3A	0.7A
	Current Range	0-3A	0-1.3A	0-0.7A
	Rated Power	15W	15.6W	16.8W
	Ripple & Noise	50 mVp-p	50 mVp-p	100 mVp-p
	DC Voltage adi. Range	-5%,+10%	±10%	±10%
Input	Setup,Rise,Hold Time	200ms,100ms,30ms at full load		
	Voltage Range	85-132 VAC / 170-264 VAC 47-63 Hz; selected by switch 240-370VDC		
	AC Current	0.5 A/115 V 0.25A/ 230 V		
	Efficiency	65%	68%	72%
	Inrush Current	Cold start 15A/115VAC 30A/230VAC		
Protection	Leakage Current	<0.5 mA/240VAC		
	Over Load	110%-160% Protection type: Fold back current limiting, recovers automatically after fault condition is removed		
Environment	Working Temp., Humidity	-10 C~+60 C; 20%~90 %RH		
	Storage Temp., Humidity	-20 C~+85 C; 10%~95 %RH		
	Vibration	10-500Hz, 2G 10min./1cycl, period for 60 min, each along X, Y, Z, axes		
Safety	Withstand Voltage	I/P-O/P: 1.5KVAC I/P-FG: 1.5KVAC O/P-FG: 0.5KVAC		
	Isolation Resistance	I/P-O/P, I/P-FG, O/P-FG :100M /500VDC		
Standards	Safety Standard	Design refer to UL1012		
	EMC Standard	Design refer to FCC Part 15J Conduction Class B		
Others	Weight	0.31Kg		
	Packing	45pcs/15Kg/0.9CUFT		

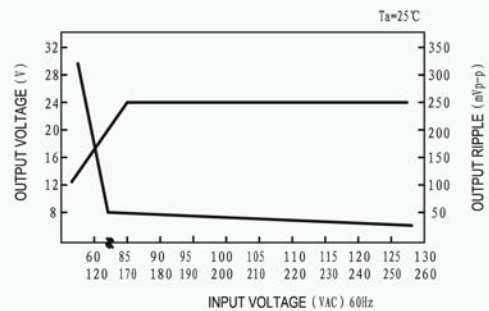
Outline and dimension



Derating Curve



Static Characteristics(A)



25W Single Output Switching Power Supply



GS-25...

Feature

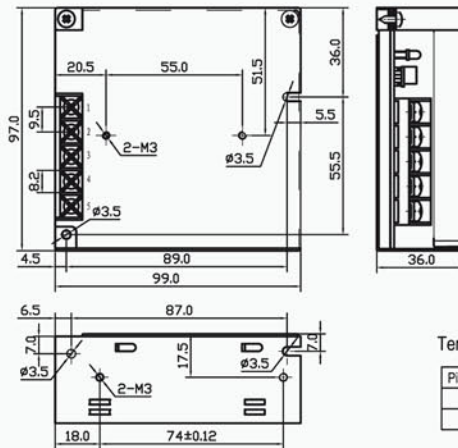
- High efficiency, high reliability
- Universal AC input / Full range
- 100% full load burn-in test
- Protection:
Short circuit / Over load / Over voltage
- Fixed switching frequency at 37 KHz
- Cooling by free air convection
- 2 years warranty
- Dimensions: 99*97*36mm(L*W*H)

Notes:

- All parameters NOT specially mentioned are measured at 230VAC input, rated load and 25°C of ambient temperature.
- Ripple & noise are measured at 20MHz of bandwidth by using a 12" twisted pair-wire terminated with a 0.1μ & 47μf parallel capacitor.
- Each output can within current range. But total output power can't exceed rated load
- The power supply is considered a component which will be installed into a final equipment. The final equipment must be re-confirmed that it still meets EMC directives.

Model	GS-25-5	GS-25-12	GS-25-15	GS-25-24	
Output	DC Voltage	5V	12V	15V	24V
	Voltage Tolerance	±2%	±1%	±1%	±1%
	Rated Current	5A	2.1A	1.7A	1.1A
	Current Range	0-5A	0-2.1A	0-1.7A	0-1.1A
	Rated Power	25W	25.2W	25.5W	26.4W
	Ripple & Noise	50mVp-p	100mVp-p	100 mVp-p	100mVp-p
	DC Voltage adi.Range	-5%, +10%	±10%	±10%	±10%
	Setup,Rise,Hold Time	800ms,50ms,10ms/115VAC 300ms,50ms,80ms/230VAC at full load			
Input	Voltage Range	85-264 VAC 47-63 Hz, 120-370VDC			
	AC Current	0.6 A/115 V0.35A/ 230 V			
	Efficiency	72%/115VAC	76%/115VAC	77%/115VAC	80%/115VAC
	Inrush Current	Cold start 15A/115V 30A/230V			
	Leakage Current	<0.75 mA/240VAC			
Protection	Over Load	110%~160% Protection type: Fold back current limiting, recovers automatically after fault condition is removed			
	Over Voltage	115%~135% Protection type: hiccup mode, recovers automatically after fault condition is removed			
Environment	Working Temp., Humidity	-10°C~+60°C; 20%~90 %RH			
	Storage Temp., Humidity	-20°C~+85°C; 10%~95 %RH			
	Vibration	10~500Hz, 2G 10min./1cycle, period for 60min, X, Y, Z each along axes			
Safety	Withstand Voltage	I/P-O/P: 3KVAC I/P-FG: 1.5KVACO/P-FG: 0.5KVAC			
	Isolation Resistance	I/P-O/P, I/P-FG, O/P-FG:100M /500VDC			
Standards	Safety Standard	Design refer to UL1012, TUVEN60950			
	EMC Standard	Design refer to EN55022, EN61000-3-2, -3, EN61000-4-2,3,4,5, ENV50204, EN55024			
Others	Weight	0.39Kg			
	Packing	45pcs/18Kg/0.86CUFT			

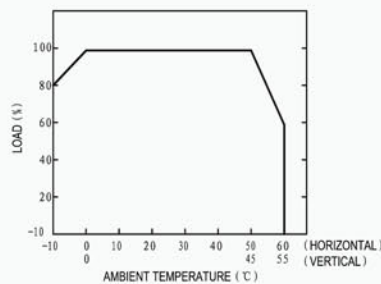
Outline and dimension



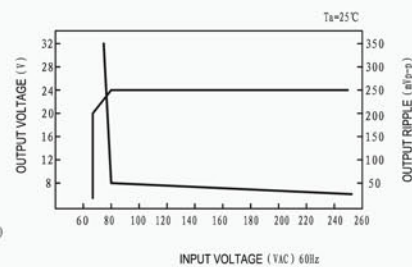
Terminal Pin No. Assignment:

Pin No.	Assignment	Pin No.	Assignment
1	DC OUTPUT -Y	3	FG ↓
2	DC OUTPUT +Y	4, 5	AC INPUT

Derating Curve



Static Characteristics(24V)



**35W Single Output
Switching Power Supply**



GS-35...

Feature

- High efficiency, high reliability, lost cost
- AC input range selected by switch, 240-370VDC;
- Protections: Short circuit / Over load
- LED indicator for power on
- Fixed switching frequency at 37KHz
- Cooling by free air convection
- 1 year warranty
- Dimensions: 129*98*38mm (L*W*H)

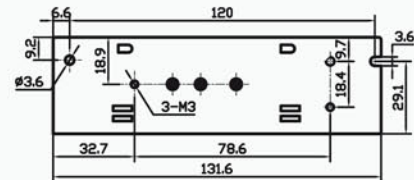
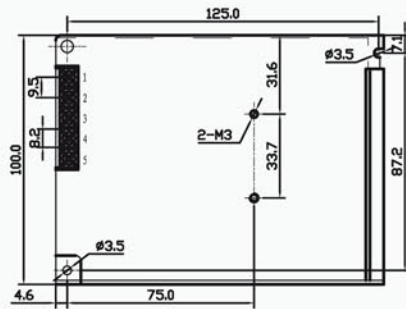
Notes:

- All parameters NOT specially mentioned are measured at 230VAC input, rated load and 25°C of ambient temperature.
- Ripple & noise are measured at 20MHz of bandwidth by using a 12" twisted pair wire terminated with a 0.1µf & 47µf parallel capacitor.
- Tolerance: includes set up tolerance, line regulation and load regulation

Model	GS-35-5	GS-35-9	GS-35-12	GS-35-15	GS-35-24	
Output	DC Voltage	5V	9V	12V	15V	24V
	Voltage Tolerance	±2%	±1%	±1%	±1%	±1%
	Rated Current	7A	3.6A	3A	2.4A	1.5A
	Current Range	0-7A	0-3.6A	0-3A	0-2.4A	0-1.5A
	Rated Power	35W	32.4W	36W	36W	36W
	Ripple & Noise	75 mVp-p	100 mVp-p	100 mVp-p	100 mVp-p	100 mVp-p
	DC Voltage adi. Range	-5%,+10%	±10%	±10%	±10%	±10%
	Setup,Rise,Hold Time	200ms,100ms,30ms at full load				
Input	Voltage Range	85-132 VAC/170-264VAC selected by switch, 240-370VDC; 47-63 Hz				
	AC Current	0.8 A/115 V 0.45A/ 230 V				
	Efficiency	70%	72%	76%	78%	78%
	Inrush Current	Cold start 18A/115V 36A/230V				
	Leakage Current	< 2mA/240VAC				
Protection	Over Load	110%~160% Protection type: Fold back current limiting, recovers automatically after fault condition is removed				
	Working Temp., Humidity	-10°C~+60°C; 20%~90 %RH				
Environment	Storage Temp., Humidity	-20°C~+85°C; 10%~95 %RH				
	Vibration	10~500Hz, 2G 10min./1cycl, period for 60 min,each along X,Y, Z, axes				
Safety	Withstand Voltage	I/P-O/P: 1.5KVAC I/P-FG: 1.5KVAC O/P-FG: 0.5KVAC				
	Isolation Resistance	I/P-O/P, I/P-FG, O/P-FG: 100M /500VDC				
Standards	Safety Standard	Design refer to UL1012				
	EMC Standard	Design refer to FCC Part 15 J Conduction Class B				
Others	Weight	0.41Kg				
	Packing	45pcs/18.5Kg/1.22CUFT				

1

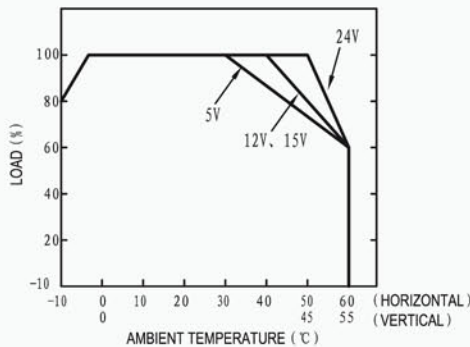
Outline and dimension



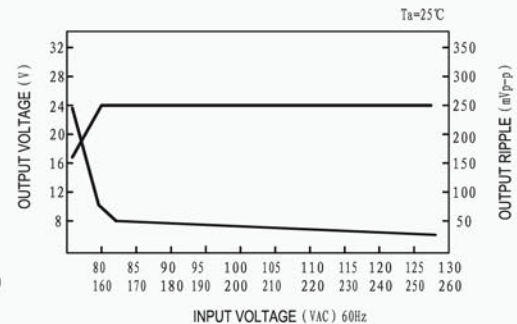
Terminal Pin No. Assignment

Pin No.	Assignment	Pin No.	Assignment
1	AC-L	4	DC-OUTPUT +
2	AC-N	5	DC-OUTPUT +
3	PE		

Derating Curve



Static Characteristics(24V)



50W Single Output Switching Power Supply



GS-50...

Feature

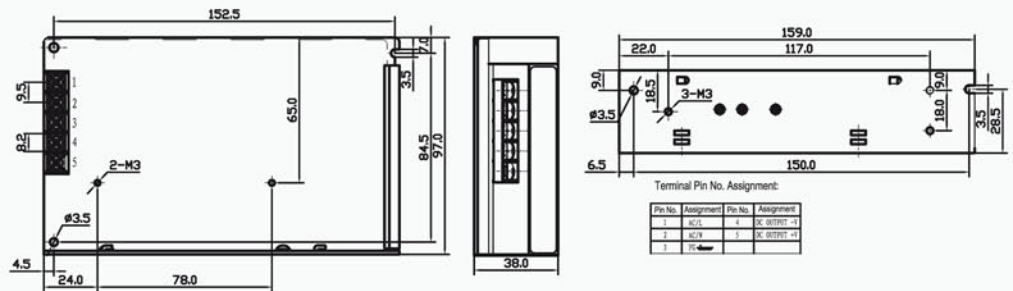
- High efficiency, high reliability, lost cost
- AC input range selected by switch
- Fixed switching frequency at 27KHz
- Protections: Short circuit / Over load
- Cooling by free air convection
- LED indicator for power on
- 1 year warranty
- Dimensions: 159*97*38mm(L*W*H)

Notes:

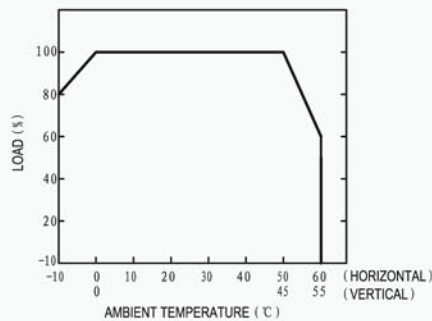
- All parameters NOT specially mentioned are measured at 230VAC input, rated load and 25°C of ambient temperature.
- Ripple & noise are measured at 20MHz of bandwidth by using a 12" twisted pair wire terminated with a 0.1µf & 47µf parallel capacitor.
- Tolerance: includes set up tolerance, line regulation and load regulation

Model	GS-50-5	GS-50-12	GS-50-15	GS-50-24	GS-50-48	
Output	DC Voltage	5V	12V	15V	24V	48V
	Voltage Tolerance	±2%	±1%	±1%	±1%	±1%
	Rated Current	10A	4.2A	3.4A	2.1A	1A
	Current Range	0-10A	0-4.2A	0-3.4A	0-2.1A	0-1A
	Rated Power	50W	50.4W	51W	50.4W	48W
	Ripple & Noise	75mVp-p	100 mVp-p	100 mVp-p	100 mVp-p	100 mVp-p
	DC Voltage adi. Range	-5%, +10%	±10%	±10%	±10%	±10%
	Setup,Rise,Hold Time	200ms,100ms,20ms at full load				
Input	Voltage Range	85-132 VAC/170-264VAC 47-63 Hz; selected by switch240~370VDC				
	AC Current	1.3A/115 V 0.65A/ 230 V				
	Efficiency	71%	78%	78%	82%	84%
	Inrush Current	Cold start18A/115V 36A/230V				
	Leakage Current	<1 mA/240VAC				
Protection	Over Load	110%~160%				
		Protection type: Fold back current limiting, recovers automatically after faultt condition is removed				
Environment	Working Temp., Humidity	-10°C~+60°C; 20%~90 %RH				
	Storage Temp., Humidity	-20°C~+85°C; 10%~95 %RH				
	Vibration	10-500Hz, 2G 10min./1cycle, period for 60min, each along X, Y, Z axes				
Safety	Withstand Voltage	I/P-O/P:1.5KVAC I/P-FG:1.5KVAC O/P-FG:0.5KVAC				
	Isolation Resistance	I/P-O/P, I/P-FG, O/P-FG: 100M /500VDC				
Standards	Safety Standard	Design refer to UL1012				
	EMC Standard	Design refer to FCC Part15 J Conduction Class B				
Others	Weight	0.51Kg				
	Packing	24pcs/13.1Kg/0.7CUFT				

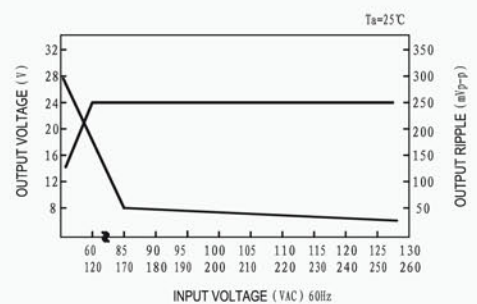
Outline and dimension



Derating Curve



Static Characteristics(24V)



70W Single Output Switching Power Supply



GS-70...

Feature

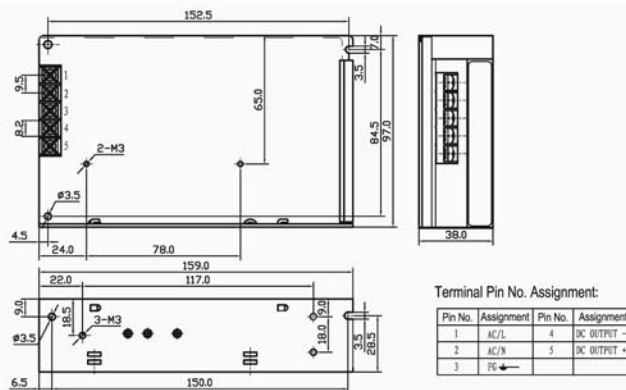
- High efficiency, high reliability
- AC input range selected by switch
- 100% full load burn-in test
- Protection:
Short circuit / Over load/ Over voltage
- Fixed switching frequency at 50 KHz
- Cooling by free air convection
- 2 years warranty
- Dimensions: 159*97*38mm(L*W*H)

Notes:

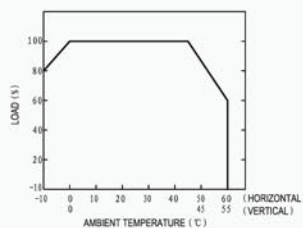
- All parameters NOT specially mentioned are measured at 230VAC input, rated load and 25°C of ambient temperature.
- Ripple & noise are measured at 20MHz of bandwidth by using a 12" twisted pair-wire terminated with a 0.1 μ & 47 μ f parallel capacitor.
- Each output can within current range. But total output power can't exceed rated load
- The power supply is considered a component which will be installed into a final equipment. The final equipment must be re-confirmed that it still meets EMC directives.

Model	GS-70-12	GS-70-15	GS-70-24	GS-70-48	
Output	DC Voltage	12V	15V	24V	48V
	Voltage Tolerance	$\pm 1\%$	$\pm 1\%$	$\pm 1\%$	$\pm 1\%$
	Rated Current	6A	4.8A	3A	1.5A
	Current Range	0-6A	0-4.8A	0-3A	0-1.5A
	Rated Power	72W	72W	72W	72W
	Ripple & Noise	120mVp-p	150mVp-p	150mVp-p	200mVp-p
	DC Voltage adi. Range	+10%	$\pm 10\%$	$\pm 10\%$	$\pm 10\%$
	Setup,Rise,Hold Time	800ms, 50ms,10ms/115VAC300ms,50ms, 80ms/230VAC at full load			
Input	Voltage Range	85-264 VAC47-63 Hz, 120-370VDC			
	AC Current	2A/115V 1A/ 230 V			
	Efficiency	76%/	77%	79%	80%
	Inrush Current	Cold start 30A/115VAC 60A/230VAC			
	Leakage Current	<3.5 mA/240VAC			
Protection	Over Load	135%~165%			
		Protection type: Fold back current limiting, recovers automatically after fault condition is removed			
	Over Voltage	115%~135%			
		Protection type: hiccup mode, recovers automatically after fault condition is removed.			
Environment	Working Temp., Humidity	-10°C~+60°C; 20%~90 %RH			
	Storage Temp., Humidity	-20°C~+85°C; 10%~95 %RH			
	Vibration	10-500Hz, 2G 10min./1cycle, period for 60min, each along X, Y, Z axes			
Safety	Withstand Voltage	I/P-O/P: 3KVAC I/P-FG: 1.5KVAC O/P-FG: 0.5KVAC			
	Isolation Resistance	I/P-O/P, I/P-FG, O/P-FG:100M /500VDC			
Standards	Safety Standard	Design refer to UL1012, UL1950, TUV EN60950			
	EMC Standard	Design refer to EN55022, EN61000-3-2,-3, EN61000-4-2,3,4,5,6,8,11;ENV50204,EN55024			
Others	Weight	0.51Kg			
	Packing	30pcs/16Kg / 0.86CUFT			

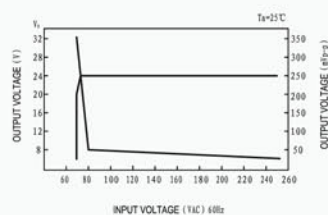
Outline and dimension



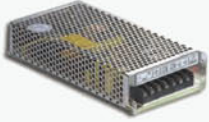
Derating Curve



Static Characteristics(24V)



**100W Single Output
Switching Power Supply**



GS-100...

Feature

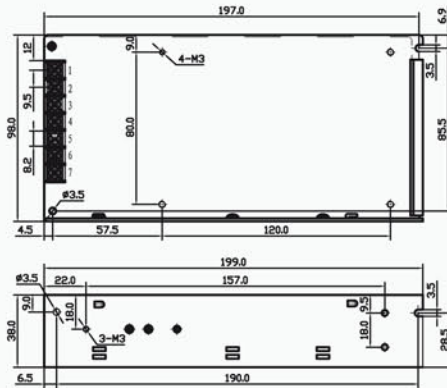
- High efficiency, high reliability, lost cost
- AC input range selected by switch
- Fixed switching frequency at 25KHz
- Protections: Short circuit / Over load
- Cooling by free air convection
- 100% full load burn-in test
- 1 year warranty
- Dimensions: 199*98*38mm(L*W*H)

Notes:

- All parameters NOT specially mentioned are measured at 230VAC input, rated load and 25°C of ambient temperature.
- Ripple & noise are measured at 20MHz of bandwidth by using a 12" twisted pair wire terminated with a 0.1µf & 47µf parallel capacitor.
- Tolerance: includes set up tolerance, line regulation and load regulation

Model	GS-100-3	GS-100-5	GS-100-7.5	GS-100-12	GS-100-15	GS-100-18	GS-100-24	GS-100-27	GS-100-48	
Output	DC Voltage	33V	5V	7.5V	12V	15V	18V	24V	27V	48V
	Voltage Tolerance	±2%	±2%	±1%	±1%	±1%	±1%	±1%	±1%	±1%
	Rated Current	20A	20A	13.6A	8.5A	6.7A	5.6A	4.5A	3.7	2A
	Current Range	0-20A	0-20A	0-13.6A	0-8.5A	0-6.7A	0-5.6A	0-4.5A	0-3.7A	0-2A
	Rated Power	6W	100W	102W	102W	100.5W	100.8W	108W	99.9W	96W
	Ripple & Noise	100mVp-p	100mVp-p	100mVp-p	100mVp-p	100mVp-p	100mVp-p	100mVp-p	100mVp-p	100mVp-p
	DC Voltage adi. Range	-5%+10%	-5%+10%	±10%	±10%	±10%	±10%	±10%	-4%±18%	±10%
	Setup,Rise,Hold Time	200ms,80ms,20ms at full load								
Input	Voltage Range	85-132 VAC/180-264VAC 47-63 Hz; selected by switch 255-370VDC								
	AC Current	2.4A/115 V 1.2A/ 230 V								
	Efficiency	70%	78%	80%	81%	81%	82%	84%	84%	84%
	Inrush Current	Cold start 30A/115V 60A/230V								
	Leakage Current	1 mA/240VAC								
Protection	Over Load	135%-165%								
		Protection type: Shut down o/p voltage, recovers automatically after fault condition is removed.								
Environment	Working Temp& Humidity	-10°C~+60°C; 20%-90 %RH								
	Storage Temp & Humidity	-20°C~+85°C; 10%-95 %RH								
	Vibration	10-500Hz, 2G 10min./1cycle, period for 60min, each along X, Y, Z axes								
Safety	Withstand Voltage	I/P-O/P: 1.5KVAC I/P-FG: 1.5KVAC O/P-FG: 0.5KVAC								
	Isolation Resistance	I/P-O/P, I/P-FG, O/P-FG 100M /500VDC								
Standards	Safety Standard	Design refer to UL1012								
	EMC Standard	Design refer to FCC Part 15 J Conduction Class B								
Others	Weight	0.62Kg								
	Packing	30pcs/18Kg/1.22CUFT								

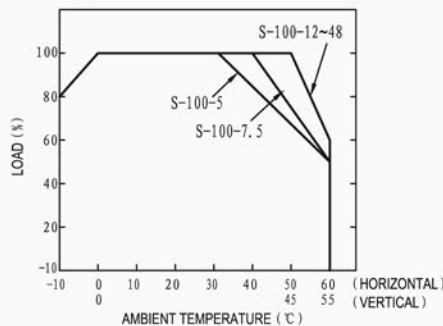
Outline and dimension



Terminal Pin No. Assignment:

Pin No.	Assignment	Pin No.	Assignment
1	AC/L	4, 5	DC OUTPUT -V
2	AC/N	6, 7	DC OUTPUT +V
3	FG		

Derating Curve



Static Characteristics(24V)

