

RECOMMENDED PCB HOLE LAYOUT

NOTES:

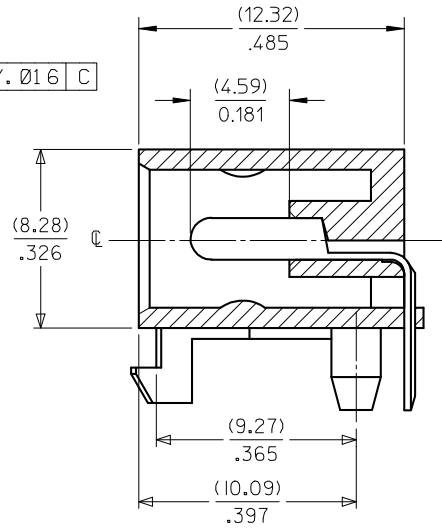
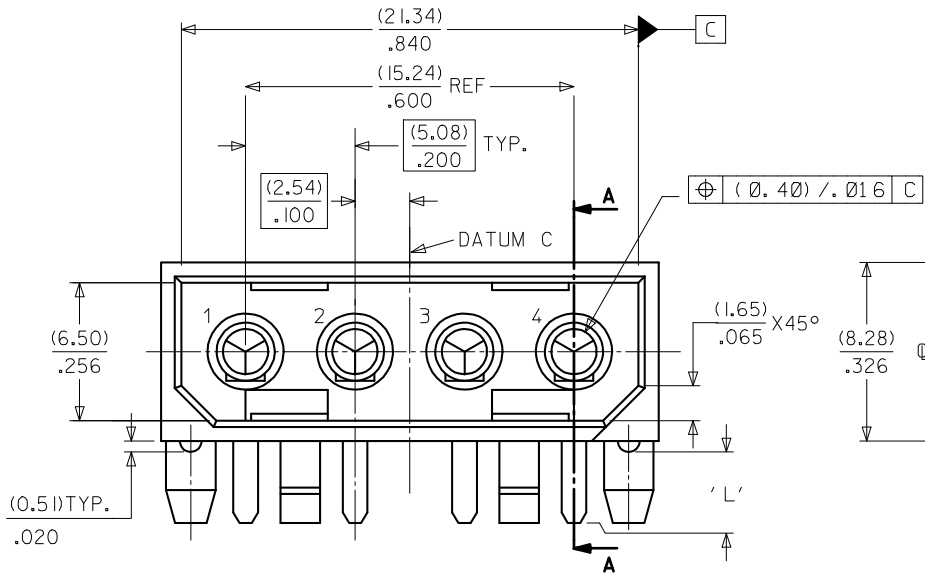
1. PART TO MATE WITH HOUSING 8981-4P AND TERMINAL 8980-3\*.
2. PRODUCT SPEC. PS - 8981-4V\* APPLIES

MATERIAL :

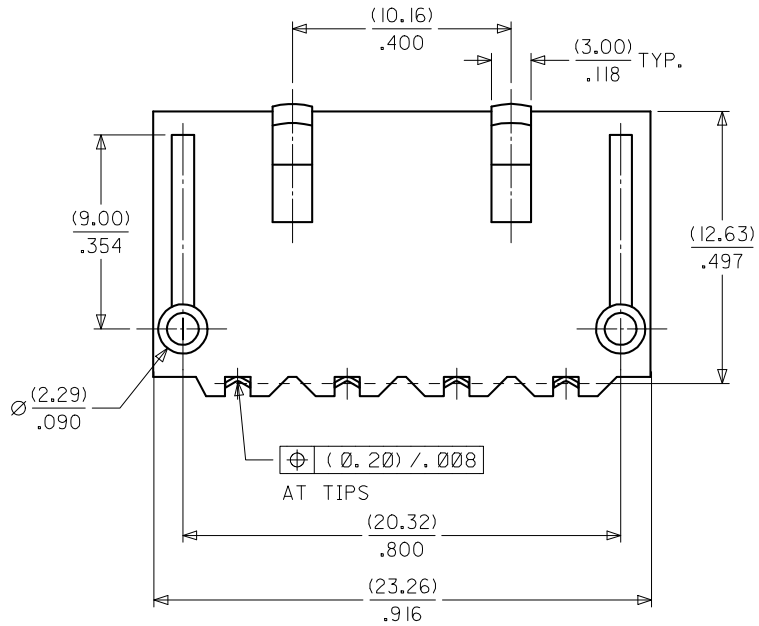
HOUSING : NYLON 6/6, UNFILLED, 94V-2, COLOR - BEIGE.

TERMINAL : PHOSPHOR BRONZE, C51000

PLATING : POSTPLATE (0.00254)/.000100 MIN. TIN OVER (0.00127)/.000050 MIN. NICKEL OVERALL



SECTION A-A



NOTES:

1) MATERIAL

HOUSING - NYLON 6/6, UNFILLED, UL94V-2, COLOR: BEIGE

TERMINAL - PHOSPHOR BRONZE

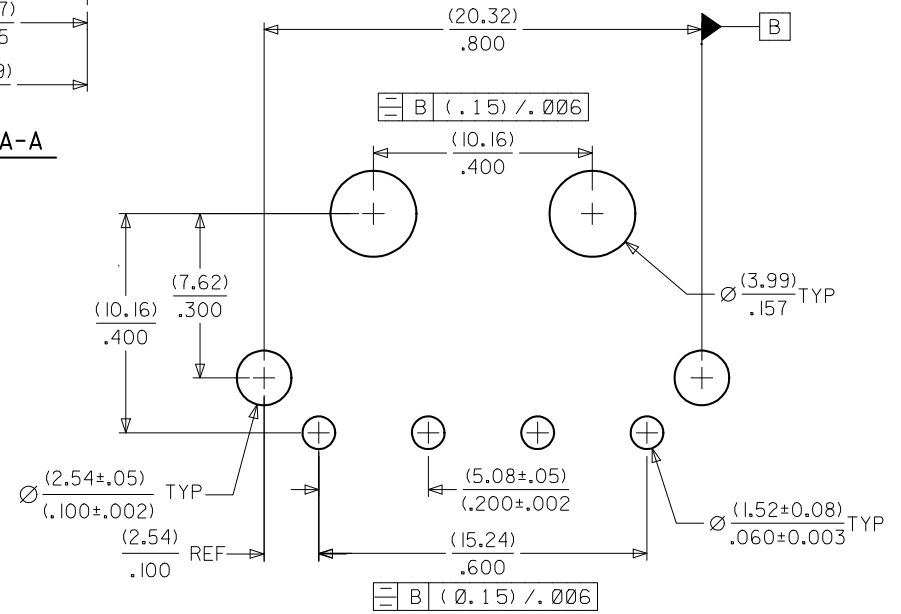
PLATING - POSTPLATE (0.00254)/.000100 MIN.

TIN OVER (0.00127)/.000050 MIN.

NICKEL OVERALL.

2) PART INTENDED TO MATE WITH HOUSING 8981-4P AND TERMINAL 8980-3\*

3) PRODUCT SPEC PS-8981-4V\* APPLIES.



RECOMMENDED P.C. BOARD LAYOUT (TOL. +/- (.13)/.005)