

Product Specifications

Products name: Aluminum 360W RGB Amplifier

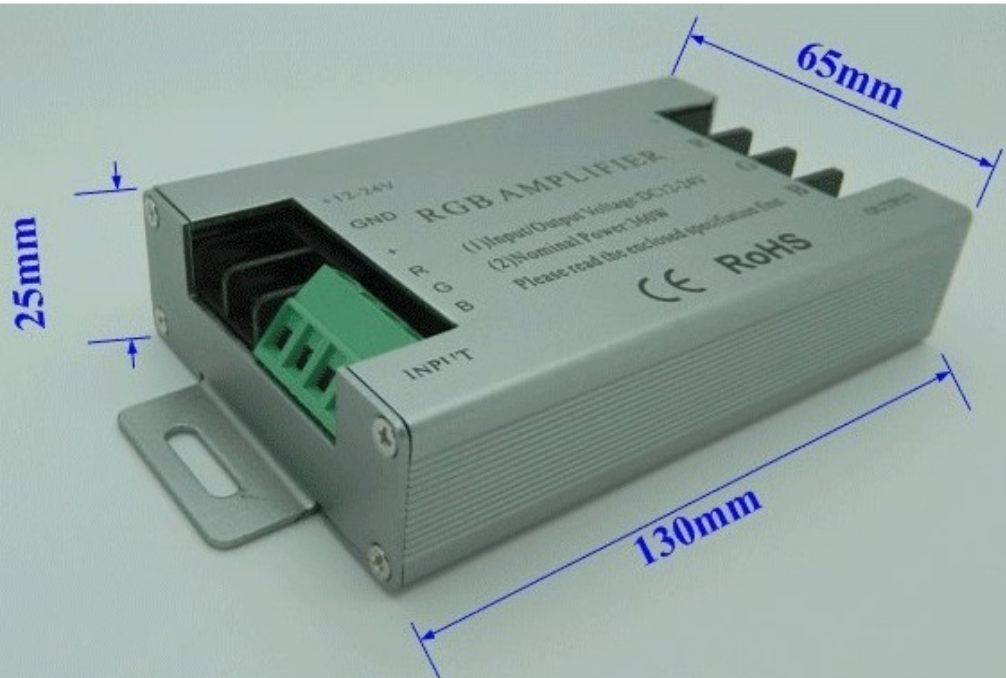


Product Description:

This RGB amplifier is suitable for all kinds of constant voltage led RGB controller. it can enlarge the led controller signal through the RGB to receive the PWM(pulse width modulation),and output the signal to the load ,then it can make the same effect with the controller.when add each additional amplifier, can connect and controlled twice more LED lights.theoretically , one controller can connector with thousands of this RGB amplifier, and can make the same effect.

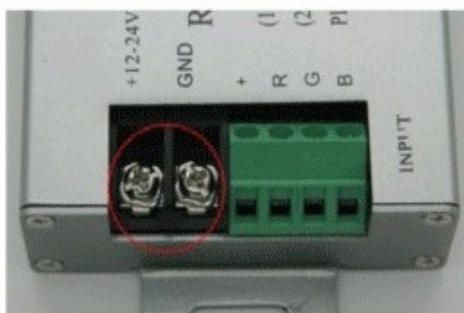
Technical Parameters:

- Working temperature: -20~60°C
- Input voltage: DC12~24V
- Output: 3 circuit
- Connection mode: Common anode
- product's size: L130×W65×H25mm
- package size: L135×W75×H30mm
- Net weight: 124g
- Gross weight: 144g
- Static power consumption: <1W
- Output current: <10A/ch (optional)
- Output power: 12V: <360W; 24V: <720W;



Connection description:

Power input interface:



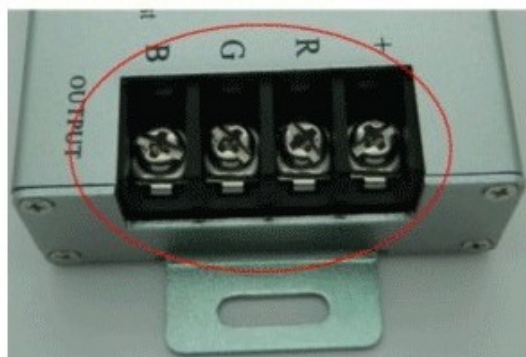
Adopt the screw terminal

Signal input interface:



Used the plug seat with screw

Load output interface:



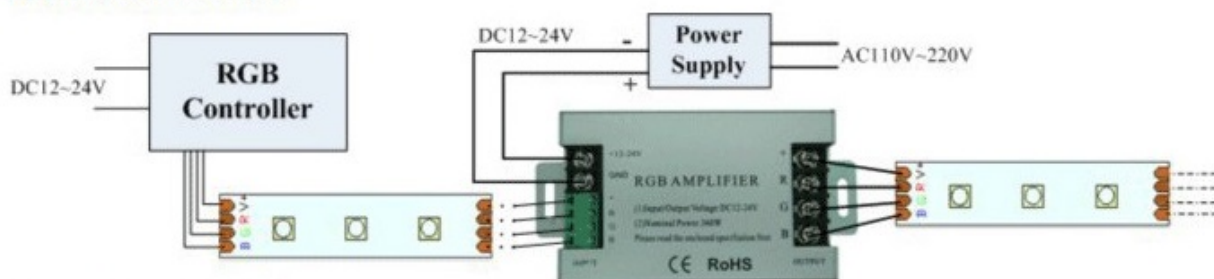
Adopt the screw terminal

Direction for use:

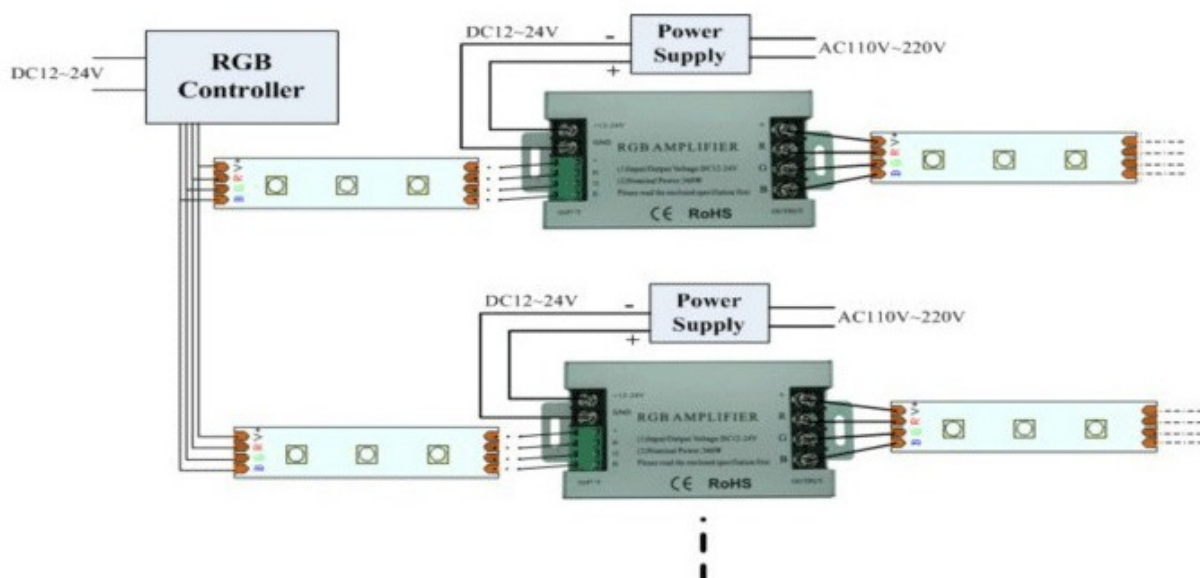
Connect the input and output wire in sequence according to the specification one the label of the amplifier, make sure that no short circuit phenomenon,then connect the amplifier to the DC12V/24V power supply , and used with the led light , the wiring diagram are as follows:

Typical Applications:

application circuit 1:



Application circuit 2:



Cautions:

- 1、 This products Input voltage is DC12-24V,other input voltage are not allowed.
- 2、 Lead wire should be connected correctly,according to the wire color and the connecting diagram offers.
- 3、 Overload are prohibited.