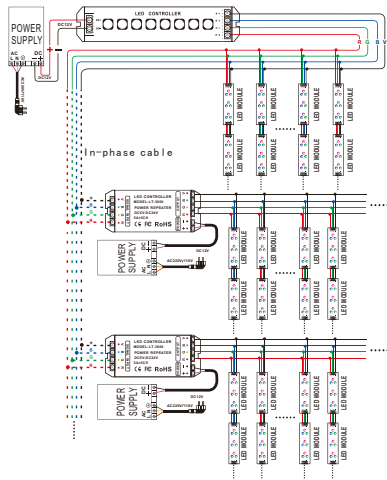


Power repeater can be added to amplify power output unlimitedly when the power of one controller is not enough

The following we take RGB module for example, power repeater all are paralleled on the output cable of controller.



6. Attention

1. The product shall be debugged and installed by professional persons.
2. This product is non-waterproof, please avoid the sun and rain. Put it in a water-proof box if install outdoor.
3. Good condition of heat dissipation will prolong the working life of controller, please install the product in a good ventilated condition.
4. Please check if the output voltage of the LED power supply comply with the voltage range of the product.
5. The diameter of adopted cable should load enough connected LED light. Ensure a solid connection in order to avoid triggering accident result from poor contact or cable overheat.
6. Ensure all wire connection are correct before power debugging, which is to avoid lamps to be burnt because of wrong connection.
7. Please do not maintain it by yourself if any fault, please contact your supplier if any question.

7. After sales service

1. Our LED controllers are provided with lifelong technical maintenance and warranty service.
 - Free warranty: Within 3 years from the date of purchase, we will offer free repair or replacement if any product quality problem.
 - Charge warranty: If the product beyond the free charge maintenance period, we will charge certain material cost.
 2. The below situations exclude from free warranty.
 - The damage caused by improper connection to power supply, exceeded voltage, overload.
 - Use the product in a incorrect way.
 - The appearance of the product has been damaged severely or be out of shape.
 - Natural disasters and force majeure damage.
 - Warranty fragile label and the unique barcode have been damage.
 3. The most responsibility we take is that we change the same models and same quantities products.
 4. As for the repair products, please write down the description to malfunction, working environment, and what you have done when malfunction happened, which are helpful to solve the problems quickly.
- This manual is only apply to this model. Any update is subjected to change without prior notice.

3900-IR/RF LED RGB Controller

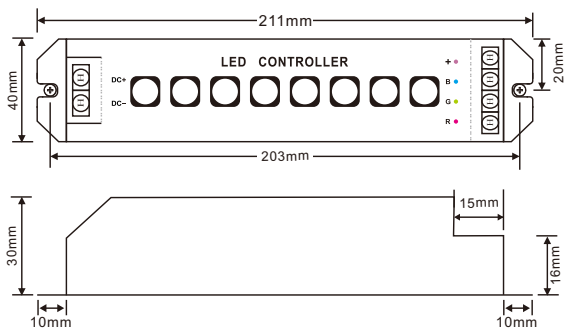


3900IR/RF is a multi-function RGB controller that built-in 32 modes. Adopting advanced PWM (Pulse-Width Modulation) control technique, Changing effect is smooth without flicker. Adopting hi-power MOS driver, RGB 3 channels output and total current up to 18A, Unique touch technique, Controller has 8 touch buttons, Which are used for choosing power on or off, pause, modes changed, speed, LED brightness, etc. With a optional IR wireless remote control, which has 12 preset color keys and 7 DIY keys, very user friendly; It can automatically adapt to DC12~24V voltage input, Suitable for major & conventional LED products, Such as LED strip, LED module. Etc. Simply put, As long as low voltage LED lights whose current limited by resistor. Then LT-3900IR can control.

1. Technical Specs

3900IR/RF	
Mating power supply	CV LED Power Supply
Input voltage	DC5V ~ DC24V
Max. load current	6A/CH x3 Max18A
Max. load power	90W/216W/432W(5V/12V/24V)
Grey scale	256 steps per RGB
Remote control distance	IR distance: 10m
Working temperature	-30°C~55°C
Product Size	L211×W40×H30(mm)
Packing size	L213×W61×H38(mm)
Weight (G.W.)	220g

2. Product size



3. Detailed key functions

The controller there are 8 function keys

ON/OFF、**PAUSE**、**MODE+**、**MODE-**、**SPEED+**、**SPEED-**、**BRT+**、**BRT-**
8 press buttons of controller match the 8 formers keys of the remote

Controller sign	Remote control sign	Button	Description
		ON/OFF	ON/OFF: Turn on/off the LED light
		PAUSE	PAUSE Press it to rest at current color. Press it again, it will continue to change
		MODE+ MODE-	MODE+/MODE- Press them to select next mode or back to previous mode Press MODE+ or press MODE- in 3s to enter cycle mode
		SPEED+ SPEED-	SPEED+/SPEED- Press them to quicken or slower speed, press SPEED+ or SPEED- in 3s, current speed is restored to default status
		BRT+ BRT-	BRT+/BRT- Press them to increase or decrease brightness, press any one in 3s, current brightness is restored to default status
		Color choosing	Press the color key, LED lights show the same color
		7 DIY keys	Pressed-in 3s, the controller will save the present changing mode automatically. Can save 7 modes, can be saved repeatedly. Press "PLAY" key to play cycle modes.

4. Tables of Changing mode

No.	Mode	Description	No.	Mode	Description
1	Static red	brightness adjustable	17	Cyan gradual	speed/brightness adjustable
2	Static green	brightness adjustable	18	White gradual	speed/brightness adjustable
3	Static blue	brightness adjustable	19	RGB Gradual dark and gradual bright	speed/brightness adjustable
4	Static yellow	brightness adjustable	20	Red/green gradual	speed/brightness adjustable
5	static purple	brightness adjustable	21	Red/blue gradual	speed/brightness adjustable
6	static cyan	brightness adjustable	22	Green/blue gradual	speed/brightness adjustable
7	static white	brightness adjustable	23	Red/yellow gradual	speed/brightness adjustable
8	RGB skipping	speed/brightness adjustable	24	Green/cyan gradual	speed/brightness adjustable
9	7 Colors skipping	speed/brightness adjustable	25	Blue/purple gradual	speed/brightness adjustable
10	White strobe	speed/brightness adjustable	26	Green/yellow gradual	speed/brightness adjustable
11	7colors gradual	speed/brightness adjustable	27	Blue/cyan gradual	speed/brightness adjustable
12	Red gradual	speed/brightness adjustable	28	Red/purple gradual	speed/brightness adjustable
13	Green gradual	speed/brightness adjustable	29	Blue/white gradual	speed/brightness adjustable
14	Blue gradual	speed/brightness adjustable	30	Yellow/purple cyan gradual	speed/brightness adjustable
15	Yellow gradual	speed/brightness adjustable	31	RGB skipping	speed/brightness adjustable
16	Purple gradual	speed/brightness adjustable	32	Full color skipping	speed/brightness adjustable

5. Conjunction diagram

