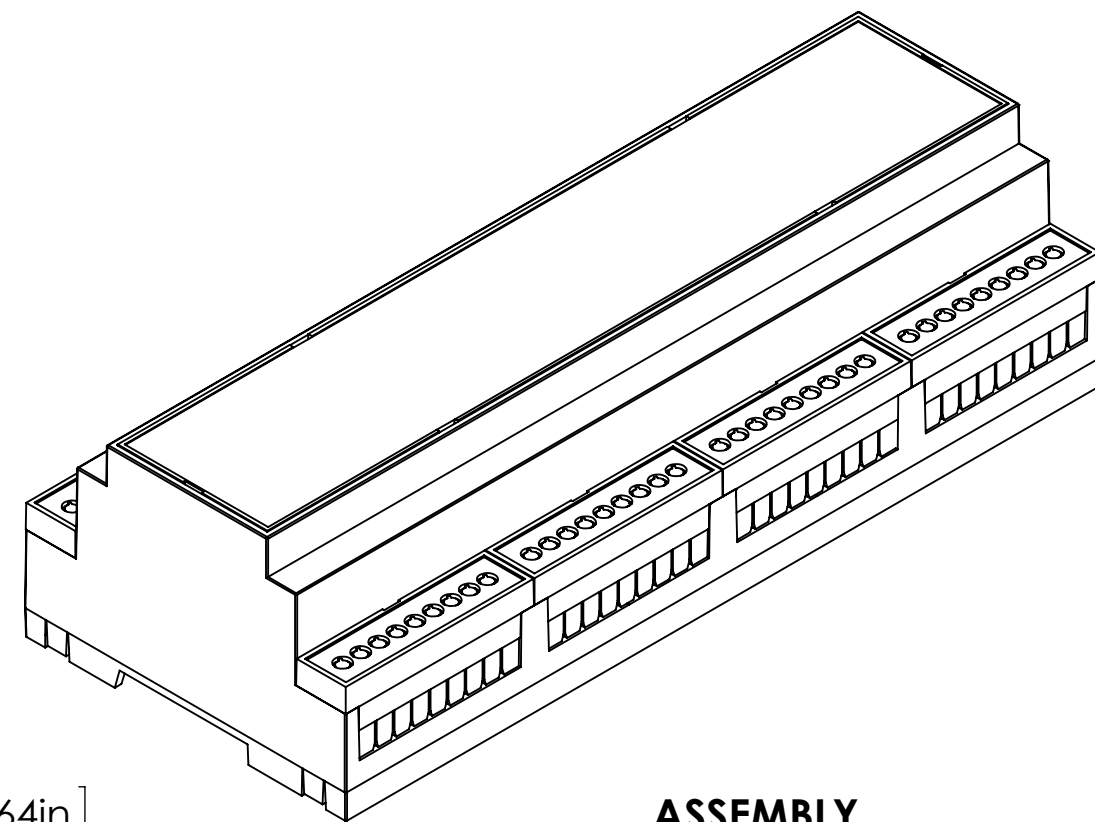
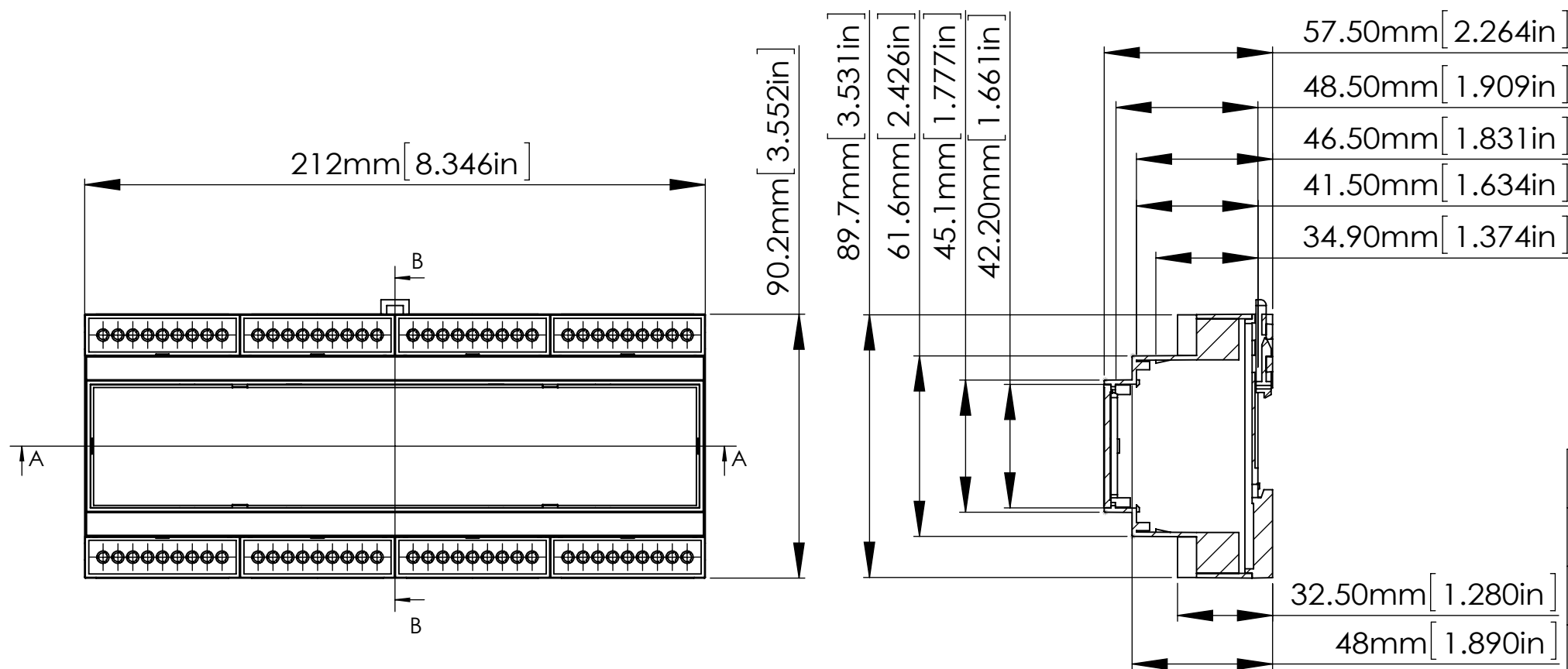


SECTION A-A



ASSEMBLY

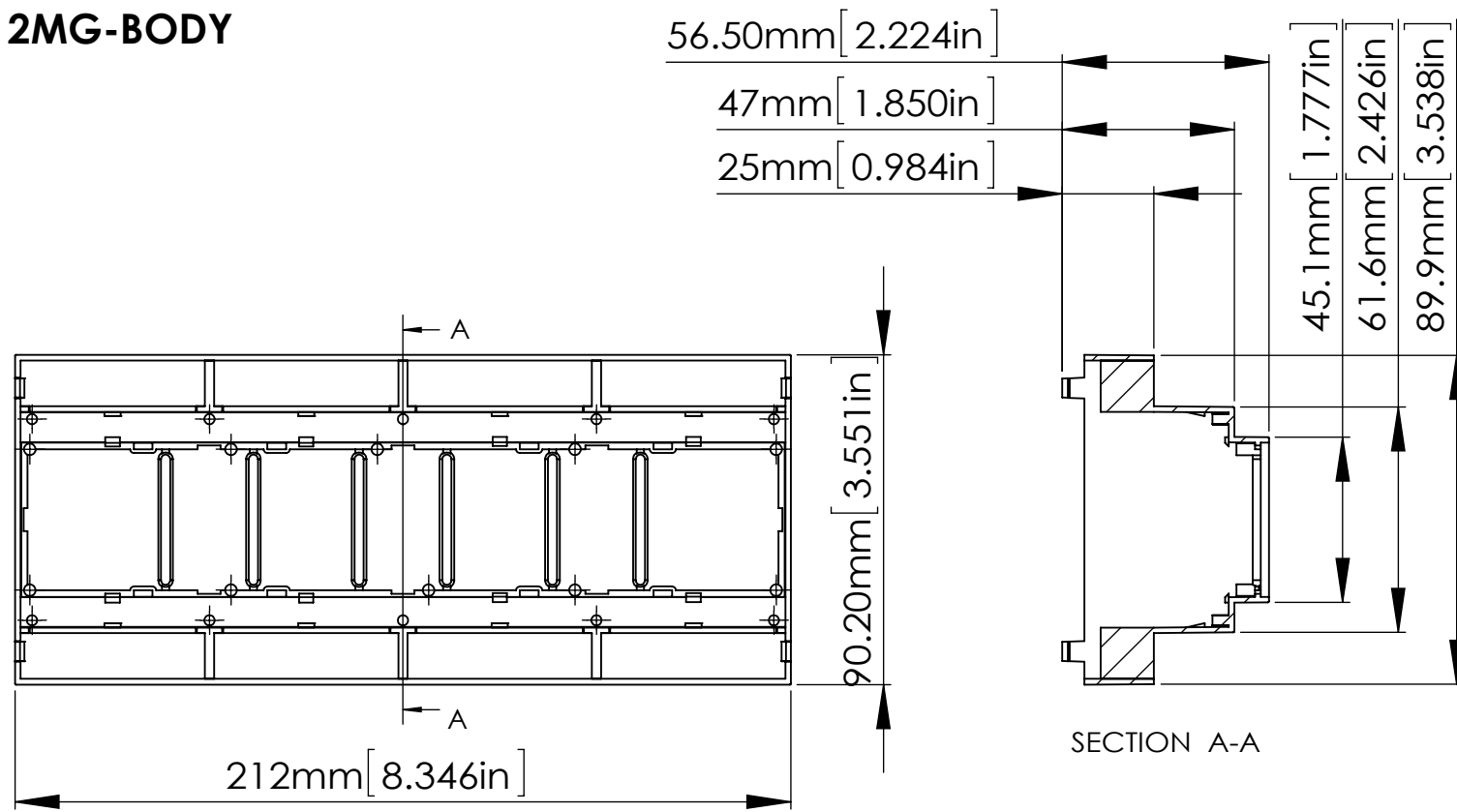


SECTION B-B

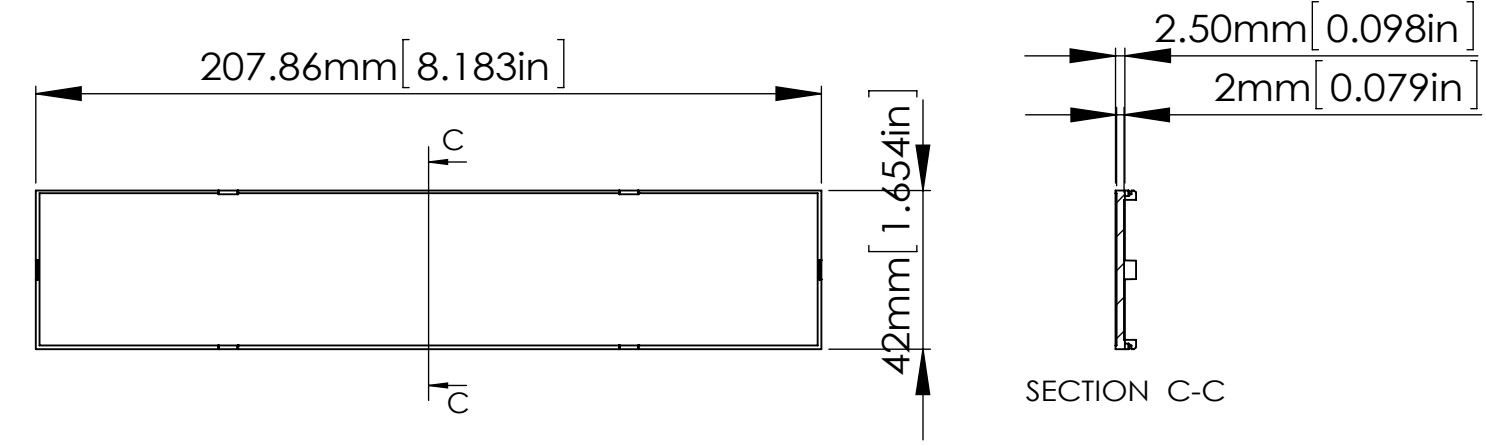
ITEM	DESCRIPTION	MATERIAL	COLOUR	UNIT
1	D12MG-BODY	PC/ABS(UL94-V0)	GREY	1
2	D12MG-BASE	PC/ABS(UL94-V0)	GREY	1
3	D12MG-COVER	PC/ABS(UL94-V0)	GREY	1
4	D12MG-GUARD	PC/ABS(UL94-V0)	GREY	8
5	D12MG-WALL CLIP	NYLON66(UL94-V0)	DARK GREY	1

繪圖	DRA'D BY	日期	DATE	材質	MATE.	圖名TITLE:	圖號DWG NO:	版次REVISED:
	JACKY	2016/08/22		PC/ABS(UL94-V0); NYLON66(UL94-V0)		D12MG-ASSEMBLY		A

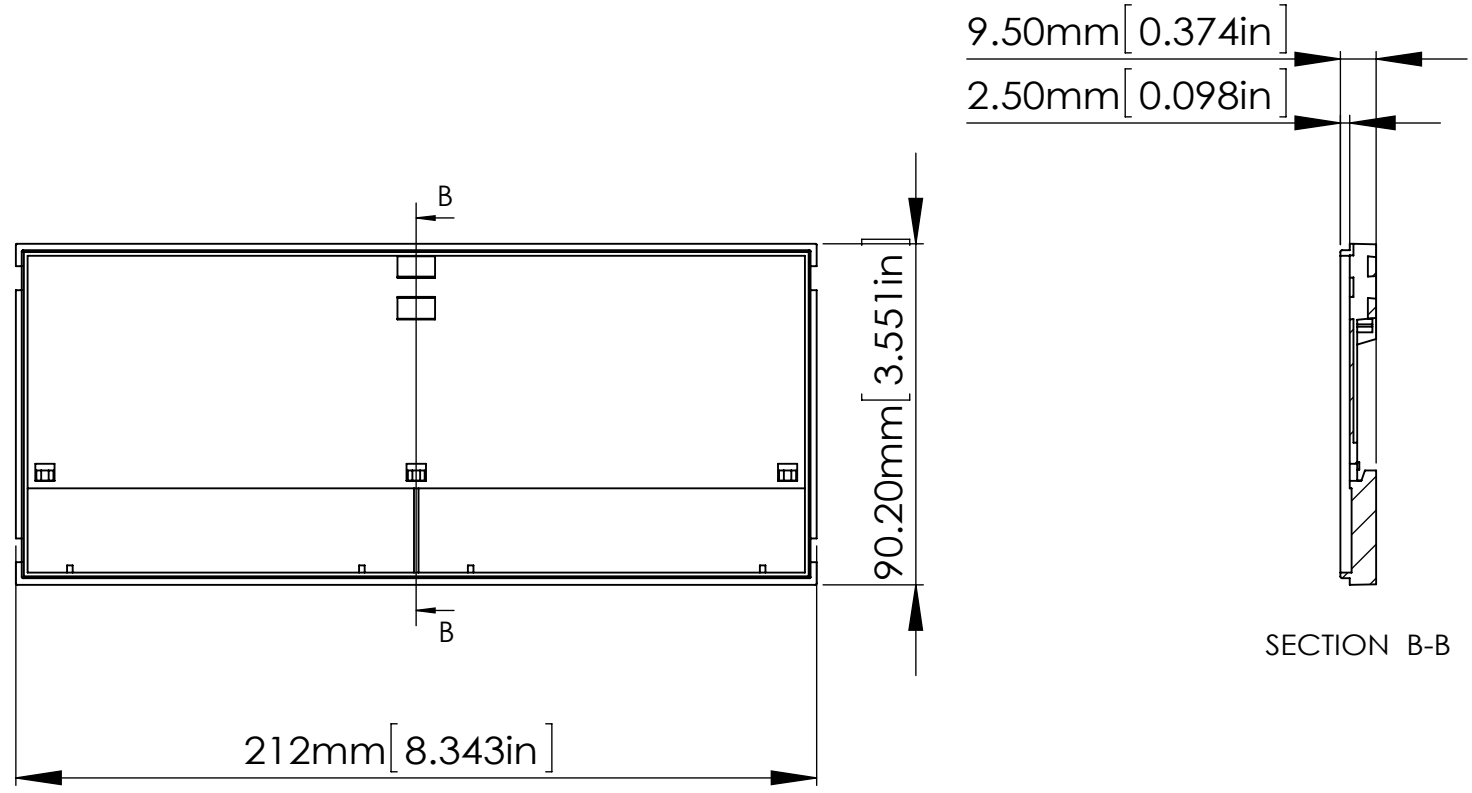
### D12MG-BODY



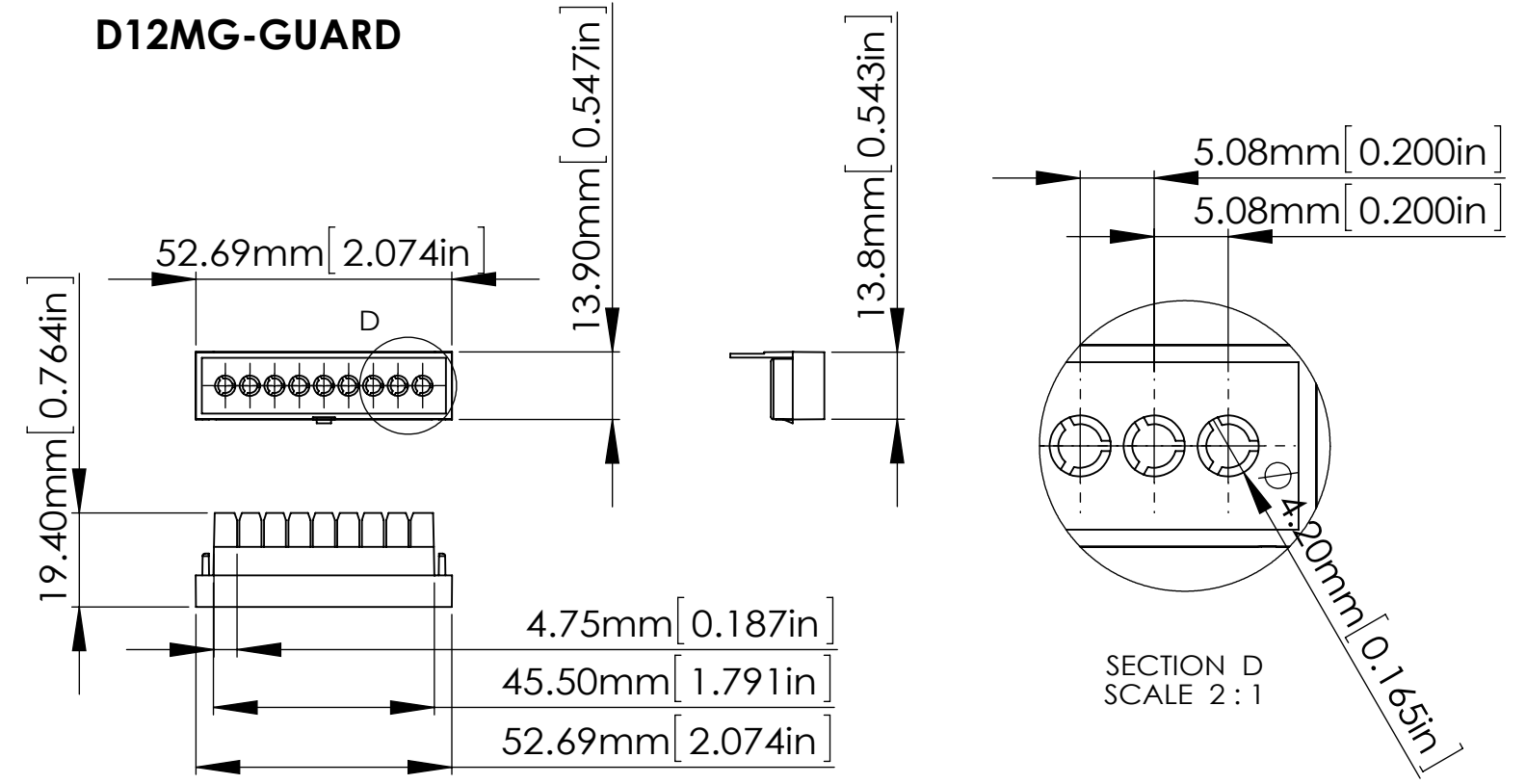
### D12MG-COVER



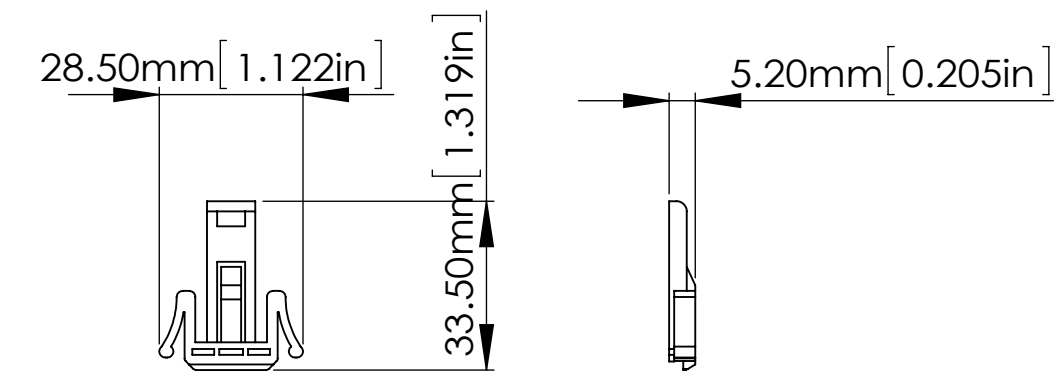
### D12MG-BASE



### D12MG-GUARD



### D12MG-WALL CLIP



繪圖	DRA'D BY	日期	DATE	材質	MATE.	圖名TITLE:	圖號DWG NO:	版次REVISED:
	JACKY	2016/08/22		PC/ABS(UL94-V0); NYLON66(UL94-V0)				A