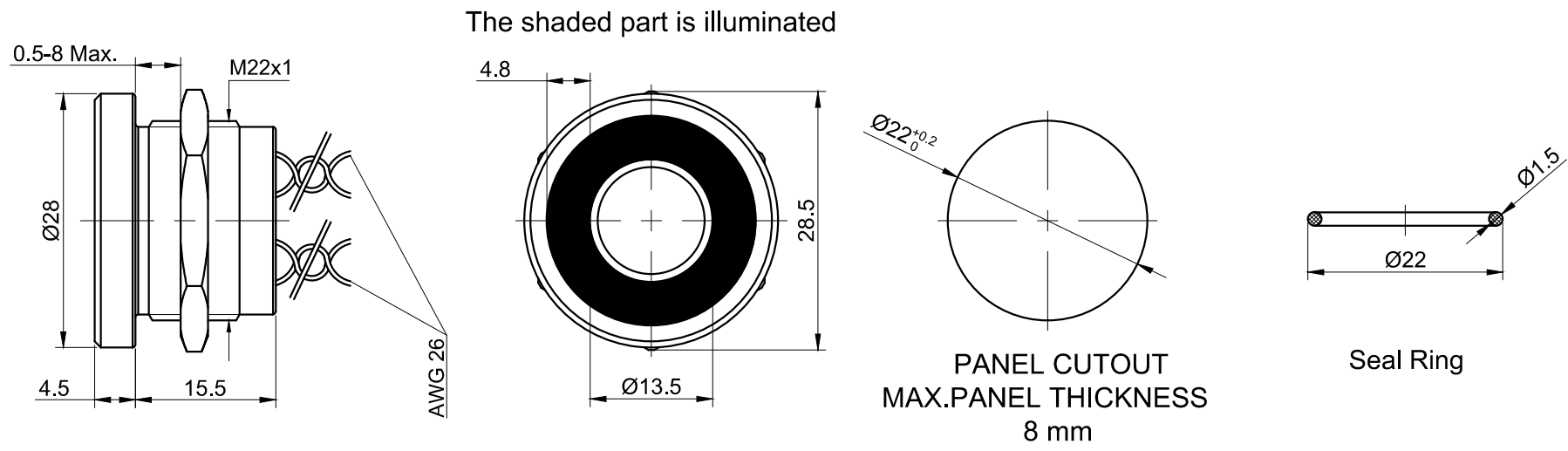


5	6	7
FOR	APPROVED	ATTN

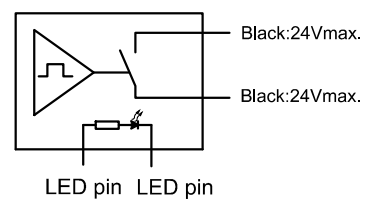


The shaded part is illuminated

PANEL CUTOUT
MAX.PANEL THICKNESS
8 mm

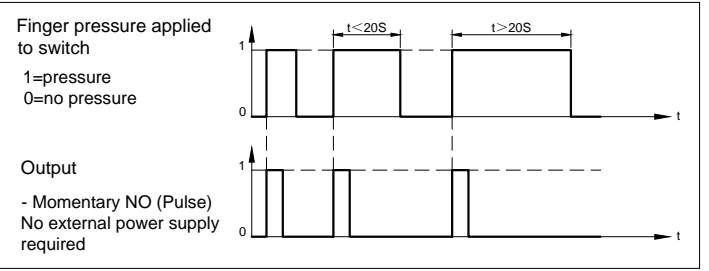
Seal Ring

Part Number:PS225P10Y◆1△▲



Wiring Diagram

"◆"	Colour/Materials	"△"	Lamp Color	"▲"	Lamp Voltage
NT	Natural anodized (Al alloy)	R	Red	05L	Large Ring-5VDC
BU	Blue anodized (Al alloy)	G	Green	12L	Large Ring-12VDC
BK	Black anodized (Al alloy)	Y	Yellow	24L	Large Ring-24VDC
GD	Gold anodized (Al alloy)	B	Blue		
RD	Red anodized (Al alloy)	W	White		
SS	Stainless steel				
GN	Green anodized (Al alloy)				



SPECIFICATIONS:

- 1.Switch Operation: Momentary NO (Pulse) .
- 2.Max.Switch Rating: 200mA 24VAC/DC.
- 3.Operation Life: 50 Million cycles.
- 4.Wiring: AWG 26, Length 300mm.
- 5.IP Class: IP68.
- 6.Operating Temperature: -40°C~ +75°C.
- 7.Operating Force: About 5~10N.

MATERIALS:

- 1.Body:Al Alloy/Stainless steel.

BRAND ONPOW		ONPOW PUSH BUTTON MANUFACTURE CO.,LTD.	
THESE DRAWINGS AND SPECIFICATIONS ARE THE PROPERTY OF ONPOW PUSH BUTTON MANUFACTURE CO.,LTD. AND SHALL NOT BE REPRODUCED COPIED OR USED IN ANY MANNER WITHOUT THE PRIOR WRITTEN CONSENT OF ONPOW PUSH BUTTON MANUFACTURE CO.,LTD.		USED	APPD CH 2020/05/12
		FINISH	CHKD NCH 2020/05/12
		SCALE 1.4 / 1	UNIT mm DR. ZPD 2020/05/12
		TITLE Piezo electric Switch	
DIMENSIONS	TOLERANCE	DWG NO.	PS225P10-L
0.00 TO 18.00mm	±0.43mm	FILE NAME	PS225P.DWG
18.01 TO 30.00mm	±0.52mm	SHEET	1 / 1
30.01 TO 50.00mm	±0.62mm	REV.	1
50.01 TO 80.00mm	±0.74mm		