

FEATURES AND SPECIFICATIONS

Features and Benefits

- Positive latching to mating headers or plugs
- Fully isolated contacts
- Fully polarized to mating headers and plugs
- Integral pull tabs for ease in unmating

Physical

Housing: Polyester, UL 94V-0

Reference Information

Product Specification: PS-43045

Packaging: Bag

UL File No.: E29179

CSA File No.: LR19980

TUV License No.: R95107

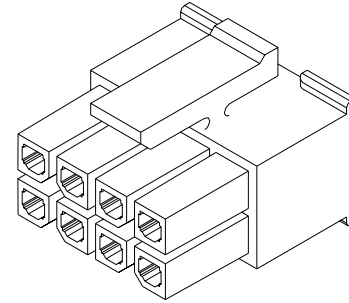
Mates With: [43020](#) and [43045](#)

Use With: [43030](#)

Designed In: Millimeters

molex® 3.00mm (.118") Pitch Micro-Fit 3.0™ Wire-to-Wire Receptacle

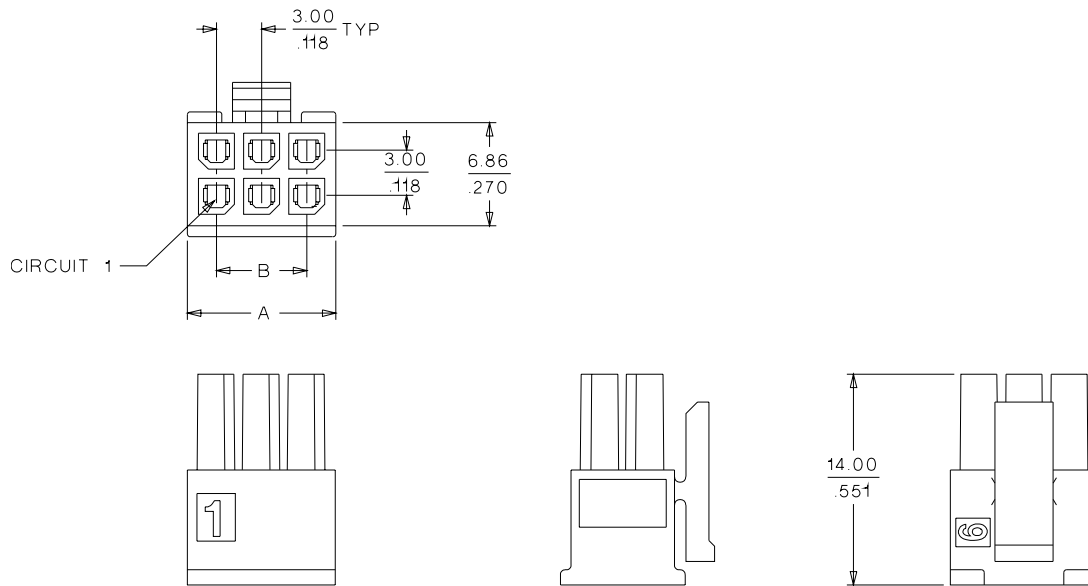
43025 Dual Row



Power Connectors

F

CATALOG DRAWING (FOR REFERENCE ONLY)



ORDERING INFORMATION AND DIMENSIONS

Circuits	Order No.	Dimension	
		A	B
2	• 43025-0200	3.85 (.152)	
4	• 43025-0400	6.85 (.270)	3.00 (.118)
6	• 43025-0600	9.85 (.388)	6.00 (.236)
8	• 43025-0800	12.85 (.506)	9.00 (.354)
10	• 43025-1000	15.85 (.624)	12.00 (.472)
12	• 43025-1200	18.85 (.742)	15.00 (.591)
14	• 43025-1400	21.85 (.860)	18.00 (.709)
16	• 43025-1600	24.85 (.978)	21.00 (.827)
18	• 43025-1800	27.85 (1.096)	24.00 (.945)
20	• 43025-2000	30.85 (1.215)	27.00 (1.063)
22	• 43025-2200	33.85 (1.333)	30.00 (1.181)
24	• 43025-2400	36.85 (1.451)	33.00 (1.299)

• US Standard Product, available through Molex franchised distributors

FEATURES AND SPECIFICATIONS

Features and Benefits

- Fully isolated contacts
- Fully polarized to mating receptacle
- Integral pull tabs for ease in unmating
- Optional panel mount ears

Reference Information

Product Specification: PS-43045

Packaging: Bag

UL File No.: E29179

CSA File No.: LR19980

TUV License No.: R95107

Mates With: [43025](#)

Use With: [43031](#)

Designed In: Millimeters

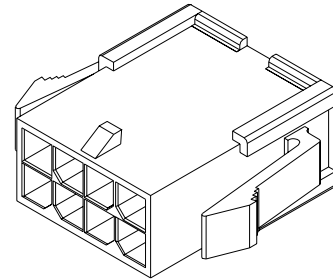
Physical

Housing: Polyester, UL 94V-0

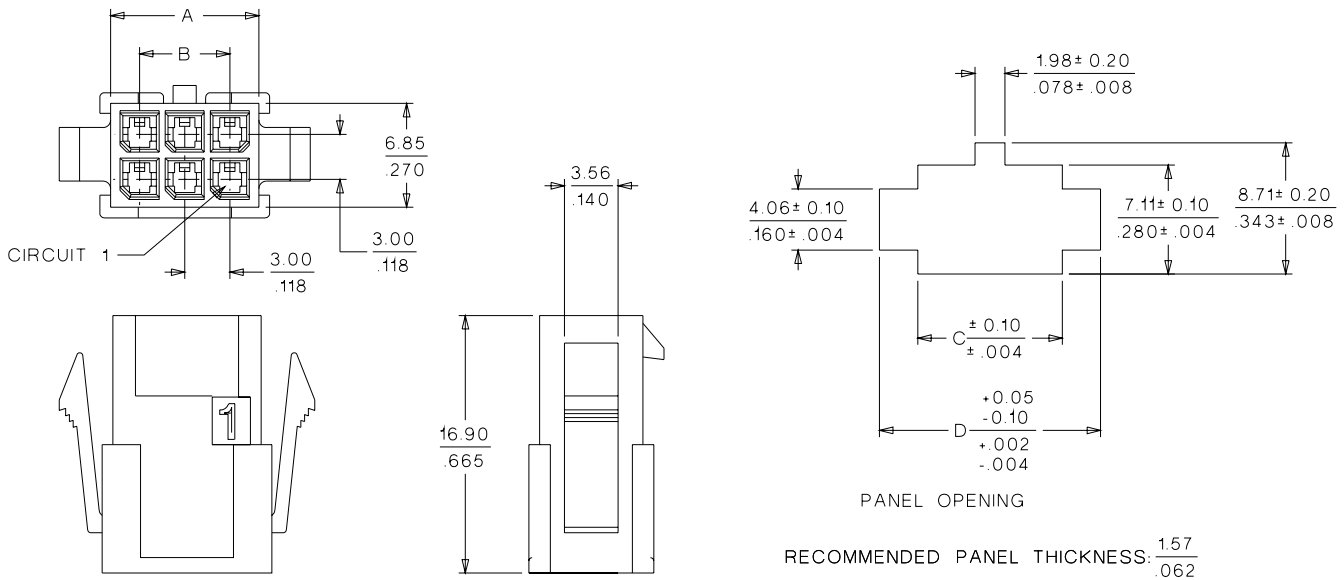
molex® 3.00mm (.118") Pitch Micro-Fit 3.0™ Wire-to-Wire Plug

43020

Dual Row, with or without Panel Mount Ears



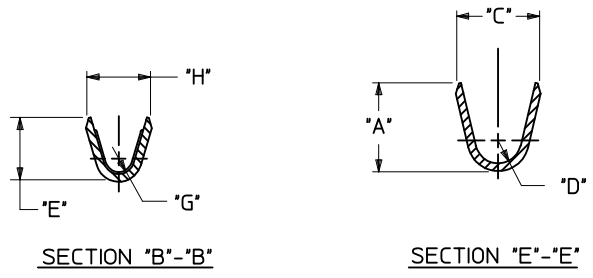
CATALOG DRAWING (FOR REFERENCE ONLY)



ORDERING INFORMATION AND DIMENSIONS

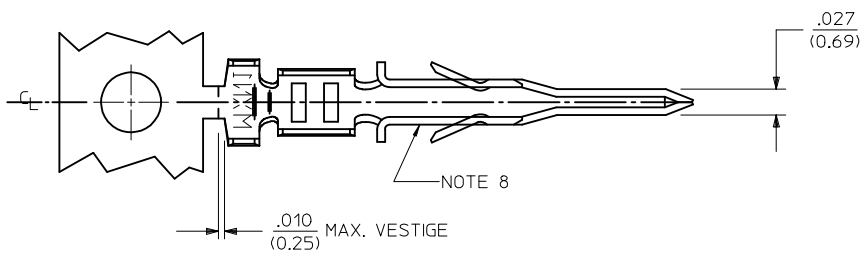
Circuits	Order No.		Dimension			
	Panel Mount	Free Hanging	A	B	C	D
2	• 43020-0200	• 43020-0201	3.86 (.152)		4.21 (.166)	7.90 (.311)
4	• 43020-0400	• 43020-0401	6.85 (.270)	3.00 (.118)	7.21 (.284)	10.90 (.429)
6	• 43020-0600	• 43020-0601	9.85 (.388)	6.00 (.236)	10.21 (.402)	13.89 (.547)
8	• 43020-0800	• 43020-0801	12.85 (.506)	9.00 (.354)	13.21 (.520)	16.89 (.665)
10	• 43020-1000	• 43020-1001	15.85 (.624)	12.00 (.472)	16.21 (.638)	19.89 (.783)
12	• 43020-1200	• 43020-1201	18.85 (.742)	15.00 (.591)	19.21 (.756)	22.89 (.901)
14	• 43020-1400	• 43020-1401	21.85 (.860)	18.00 (.709)	22.20 (.874)	25.88 (1.019)
16	• 43020-1600	• 43020-1601	24.85 (.978)	21.00 (.827)	25.20 (.992)	28.88 (1.137)
18	• 43020-1800	• 43020-1801	27.85 (1.096)	24.00 (.945)	28.20 (1.110)	31.88 (1.255)
20	• 43020-2000	• 43020-2001	30.85 (1.215)	27.00 (1.063)	31.22 (1.229)	34.87 (1.373)
22	• 43020-2200	• 43020-2201	33.85 (1.333)	30.00 (1.181)	34.22 (1.347)	37.87 (1.491)
24	• 43020-2400	• 43020-2401	36.85 (1.451)	33.00 (1.299)	37.22 (1.465)	40.87 (1.609)

• US Standard Product, available through Molex franchised distributors

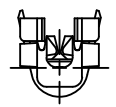
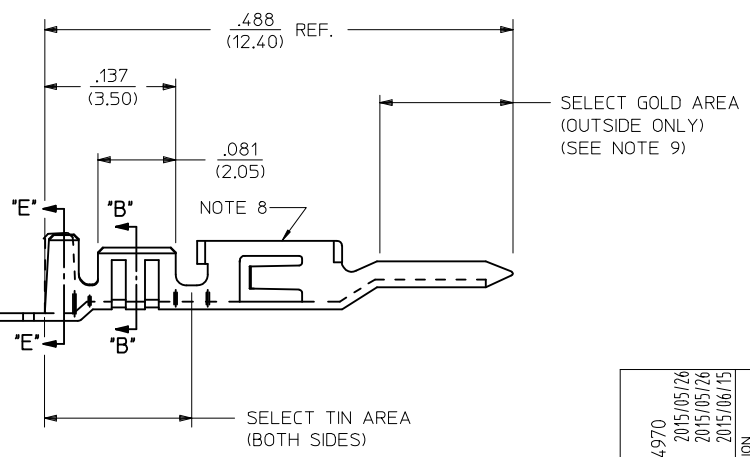


AWG:	MAX. INSULATION
20-24	.073/(1.85)
26-30	.050/(1.27)

ITEM NUMBER	PLATING OPTION	WIRE SIZE	ASSEMBLY OPTION	"A" ±.016 (±0.41)	"C" ±.012 (±0.30)	"D" ±.005 (±0.13)	"E" ±.016 (±0.41)	"G" ±.005 (±0.13)	"H" ±.012 (±0.30)
43031-0001	A	20-24	CHAIN	.090/(2.29)	.100/(2.54)	.030/(0.76) R.	.075/(1.91)	.025/(0.64) R.	.082/(2.08)
43031-0002	B	20-24	CHAIN	.090/(2.29)	.100/(2.54)	.030/(0.76) R.	.075/(1.91)	.025/(0.64) R.	.082/(2.08)
43031-0003	C	20-24	CHAIN	.090/(2.29)	.100/(2.54)	.030/(0.76) R.	.075/(1.91)	.025/(0.64) R.	.082/(2.08)
43031-0004	A	26-30	CHAIN	.075/(1.91)	.083/(2.10)	.025/(0.64) R.	.058/(1.47)	.020/(0.51) R.	.065/(1.65)
43031-0005	B	26-30	CHAIN	.075/(1.91)	.083/(2.10)	.025/(0.64) R.	.058/(1.47)	.020/(0.51) R.	.065/(1.65)
43031-0006	C	26-30	CHAIN	.075/(1.91)	.083/(2.10)	.025/(0.64) R.	.058/(1.47)	.020/(0.51) R.	.065/(1.65)
43031-0007	A	20-24	LOOSE	.090/(2.29)	.100/(2.54)	.030/(0.76) R.	.075/(1.91)	.025/(0.64) R.	.082/(2.08)
43031-0008	B	20-24	LOOSE	.090/(2.29)	.100/(2.54)	.030/(0.76) R.	.075/(1.91)	.025/(0.64) R.	.082/(2.08)
43031-0009	C	20-24	LOOSE	.090/(2.29)	.100/(2.54)	.030/(0.76) R.	.075/(1.91)	.025/(0.64) R.	.082/(2.08)
43031-0010	A	26-30	LOOSE	.075/(1.91)	.083/(2.10)	.025/(0.64) R.	.058/(1.47)	.020/(0.51) R.	.065/(1.65)
43031-0011	B	26-30	LOOSE	.075/(1.91)	.083/(2.10)	.025/(0.64) R.	.058/(1.47)	.020/(0.51) R.	.065/(1.65)
43031-0012	C	26-30	LOOSE	.075/(1.91)	.083/(2.10)	.025/(0.64) R.	.058/(1.47)	.020/(0.51) R.	.065/(1.65)



- NOTES:
- MATERIAL: PHOSPHOR BRONZE ALLOY
 - TERMINAL PLATING:
 "A" = HOT TIN DIP: .000040/(0.00102) MIN.
 "B" = .000015/(0.00038) MIN. SELECT GOLD
 .000100/(0.00254) MIN. SELECT TIN
 OVER .000050/(0.00127) MIN. NICKEL
 "C" = .000030/(0.00076) MIN. SELECT GOLD
 .000100/(0.00254) MIN. SELECT TIN
 OVER .000050/(0.00127) MIN. NICKEL
 * MATERIAL NUMBERS WITH SELECT PLATING ARE
 POST-PLATED AFTER FORMING
 - PRODUCT SPECIFICATION: PS-43045, PS-43650, PS-44300-001.
 - PACKAGING SPECIFICATION: PK-43031-001 (REEL),
 AND PK-43030-003 (LOOSE).
 - TERMINAL FOR USE IN MICRO FIT PLUG 43020-****, 43640-****,
 AND 44300-****.
 - FOR TERMINAL ORIENTATION IN PLUG SEE DRAWING SDA-43020-****
 OR SD-43640-****.
 - THIS TERMINAL IS DESIGNED IN METRIC.
 - TERMINAL MAY HAVE AN INWARD OR OUTWARD FORMED SHAPE
 IN THIS AREA.
 - SOME GOLD MAY BE PRESENT ON INSIDE SURFACE.



NOTE 8 EC NO: UCP2015-4970 DRWN: JDOX CHKD: SSOUSEK APPR: FSMITH	QUALITY SYMBOLS ▽=0 ▽=0 ▽=0	GENERAL TOLERANCES (UNLESS SPECIFIED) <table border="1"> <thead> <tr> <th></th> <th>mm</th> <th>INCH</th> </tr> </thead> <tbody> <tr> <td>4 PLACES ±</td> <td>---</td> <td>---</td> </tr> <tr> <td>3 PLACES ±</td> <td>---</td> <td>±.014</td> </tr> <tr> <td>2 PLACES ±</td> <td>0.25</td> <td>±.010</td> </tr> <tr> <td>1 PLACE ±</td> <td>0.35</td> <td>---</td> </tr> <tr> <td>0 PLACE ±</td> <td>±</td> <td>±</td> </tr> </tbody> </table>		mm	INCH	4 PLACES ±	---	---	3 PLACES ±	---	±.014	2 PLACES ±	0.25	±.010	1 PLACE ±	0.35	---	0 PLACE ±	±	±	DIMENSION STYLE IN/MM DRAWN BY: MUELLER DATE: 2002/08/13 CHECKED BY: MUELLER DATE: 2002/08/13 APPROVED BY: MARGULIS DATE: 2002/08/13	SCALE --- METRIC	DESIGN UNITS METRIC	THIRD ANGLE PROJECTION
		mm	INCH																					
	4 PLACES ±	---	---																					
	3 PLACES ±	---	±.014																					
2 PLACES ±	0.25	±.010																						
1 PLACE ±	0.35	---																						
0 PLACE ±	±	±																						
DRAFT WHERE APPLICABLE MUST REMAIN WITHIN DIMENSIONS		MATERIAL NO. SEE CHART	TITLE MICRO-FIT (3.0) MALE TERMINAL		DOCUMENT NO. SD-43031-****	SHEET NO. 1 OF 1																		
THIS DRAWING CONTAINS INFORMATION THAT IS PROPRIETARY TO MOLEX INCORPORATED AND SHOULD NOT BE USED WITHOUT WRITTEN PERMISSION																								

